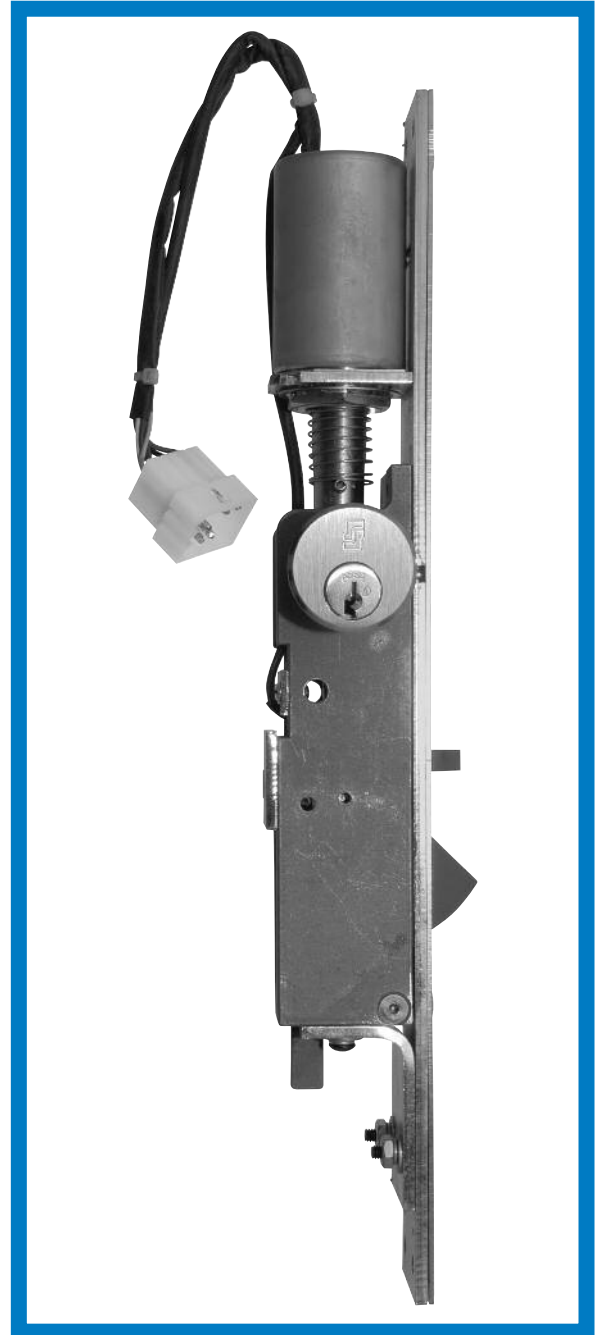
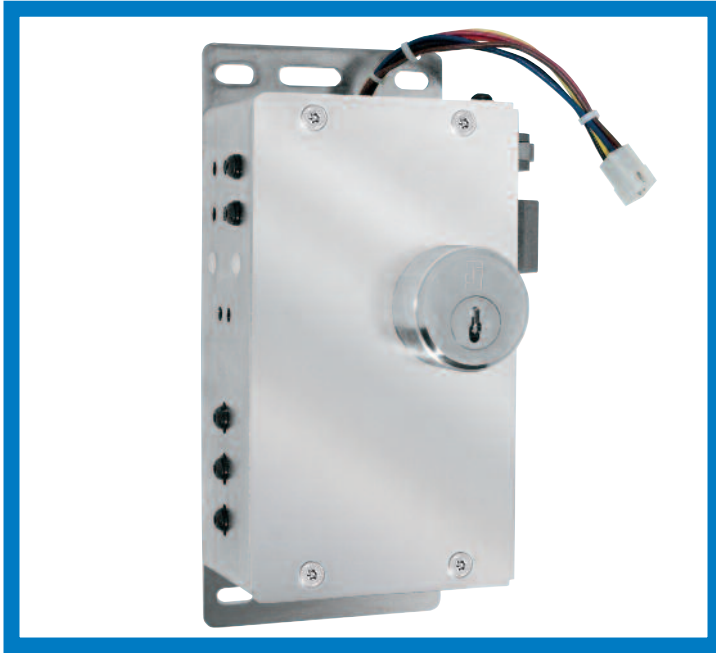




RETRO SOLUTIONS PRODUCT CATALOG



**Southern
Folger**

Detention Equipment Company

4634 S. Presa Street, San Antonio, TX 78223
Phone 210-533-1231 • Fax 210-533-2211
www.SouthernFolger.com
See who we are. See all we do.

TABLE OF CONTENTS

RETRO LOCKS - ADTEC DOOR PREP A

2121R Solenoid Operated Electro-Mechanical Deadlatch Replacement A1-A2

2123R Motor Operated (120 VAC) Electro-Mechanical Deadlatch Replacement A3-A4

2124R Motor Operated (24 VDC) Electro-Mechanical Deadlatch Replacement A5-A6

RETRO LOCKS - FOLGER ADAM DOOR PREP F

120ER Solenoid-Operated Electro-Mechanical Deadlatch Replacement F1-F2

120M Retro Motor Operated Electro-Mechanical Deadlatch Replacement F3-F4

120MC Retro Motor Operated Electro-Mechanical Half-Cycle Deadlatch Replacement F5-F6

COMING SOON!

RETRO LOCKS - SOUTHERN STEEL DOOR PREP S

10120ER Solenoid Operated Electro-Mechanical Deadlatch Replacement S1-S2

10120MR Motor Operated Electro-Mechanical Deadlatch Replacement S3-S4

10195R Solenoid Operated Electro-Mechanical Deadlatch Replacement S5-S6

10200R Solenoid Operated Electro-Mechanical Deadlatch Replacement S7-S8

ACCESSORIES AC

The Sentinel Lock Enclosure AC1

For ordering information, please call 210.533.1231.



Key:	Mogul
Door:	Swinging
Security Level:	Medium and Maximum

2121R SOLENOID OPERATED ELECTRO-MECHANICAL DEADLATCH REPLACEMENT

Description

2121R Deadlatches are solenoid operated electro-mechanical drop in replacement locks to fit the Adtec 2121 door prep.

Applications

Designed to control medium and maximum security swinging doors that are to be unlocked from a remote location. Jamb mounted. Door position indicator switch, door closer and heavy duty door pull are recommended.

Function

- **Electric** – Remote switch activates a solenoid which retracts the latchbolt. Latchbolt remains retracted until door is opened approximately 2", then it releases, automatically latches and deadlocks when the door is closed.
- **Mechanical** – Latchbolt is retracted with a mogul key at the door and remains retracted until door is opened approximately 2", then it releases and automatically latches and deadlocks when the door is closed.
- **Testing** – Southern Folger 2121R has been tested to 1,000,000 cycles.



Southern Folger Detention Equipment Company, LLC is neither affiliated nor associated with Adtec or the Adtec Series 2121/2123/2124. Southern Folger is a U.S. registered trademark of Southern Folger Detention Equipment Company, LLC. Adtec is a trademark owned by its respective owner.

For ordering information, please call 210.533.1231.



Key: Mogul
Door: Swinging
Security Level: Medium and Maximum

2121R SOLENOID OPERATED ELECTRO-MECHANICAL DEADLATCH REPLACEMENT

Standard Features

- Deadlock indication switch
- Mechanical latchback
- 212X strike with security fasteners
- Mogul cylinder driver plate
- Plug connect/adaptor
- Continuous duty solenoid
- Fail secure
- Mounting fasteners

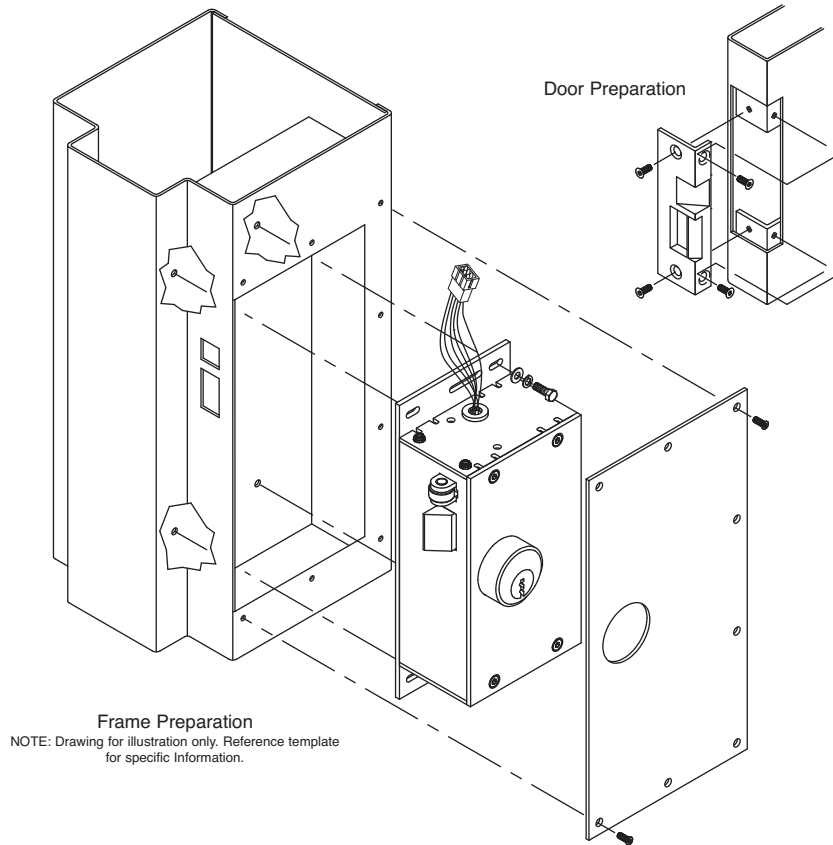
Optional Features

NO LATCHBACK – Latchbolt remains retracted as long as control switch is activated. Latchbolt extends when power is removed. Specify "NL."

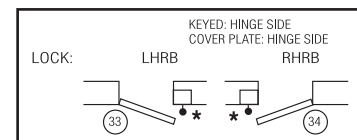
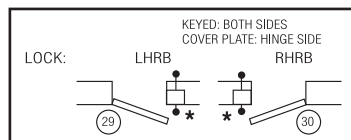
MOGUL CYLINDER – US26D. **LOCK IS SOLD LESS CYLINDER.**

NOTES:

1. Mogul cylinder driver plate included with lock fits Adtec mogul cylinder.
2. 212X strike included with lock is required for proper door fit.



Specify circled swing number when ordering.



Technical Data

- STANDARD FINISH: Zinc
- COVER: 10 gauge steel plate
- CASE: 10 gauge steel plate
- STRIKE: Stainless steel
- LATCHBOLT: Stainless steel
- DEADLOCK ACTUATOR: Stainless steel
- LOCK SIZE: 12" H x 5-25/64" W x 3-3/4" D
- ELECTRICAL: 120 VAC, 1 phase, 60 Hz, 7.5 amp inrush, .75 amp seated
- LOCK WEIGHT: 19 lbs.
- LATCHBOLT SIZE: 1-1/2" x 3/4"
- LATCHBOLT THROW: 1"
- UL Listed for use on three-hour fire doors.
- UL Listed as burglary resistant.



Key:	Mogul
Door:	Swinging
Security Level:	Medium and Maximum

2123R MOTOR OPERATED (120 VAC) ELECTRO-MECHANICAL DEADLATCH REPLACEMENT

Description

2123R Deadlatches are 120 VAC motor operated electro-mechanical drop in replacement locks to fit the Adtec 2123 door prep.

Applications

Designed to control medium and maximum security swinging doors that are to be unlocked from a remote location. Jamb mounted. Door position indicator switch, door closer and heavy duty door pull are recommended.

Function

- **Electric** – Remote switch activates a motor which retracts the latchbolt. Latchbolt remains retracted until door is opened approximately 2", then it releases, automatically latches and deadlocks when the door is closed.
- **Mechanical** – Latchbolt is retracted with a mogul key at the door and remains retracted until door is opened approximately 2", then it releases and automatically latches and deadlocks when the door is closed.
- **Testing** – Southern Folger 2123R has been tested to 1,000,000 cycles.



Southern Folger Detention Equipment Company, LLC is neither affiliated nor associated with Adtec or the Adtec Series 2121/2123/2124. Southern Folger is a U.S. registered trademark of Southern Folger Detention Equipment Company, LLC. Adtec is a trademark owned by its respective owner.

For ordering information, please call 210.533.1231.



Key: Mogul
Door: Swinging
Security Level: Medium and Maximum

2123R MOTOR OPERATED (120 VAC) ELECTRO-MECHANICAL DEADLATCH REPLACEMENT

Standard Features

- Deadlock indication switch
- Mechanical latchback
- 212X strike with security fasteners
- Mogul cylinder driver plate
- Plug connect/adaptor
- High torque motor
- Fail secure
- Mounting fasteners

Optional Features

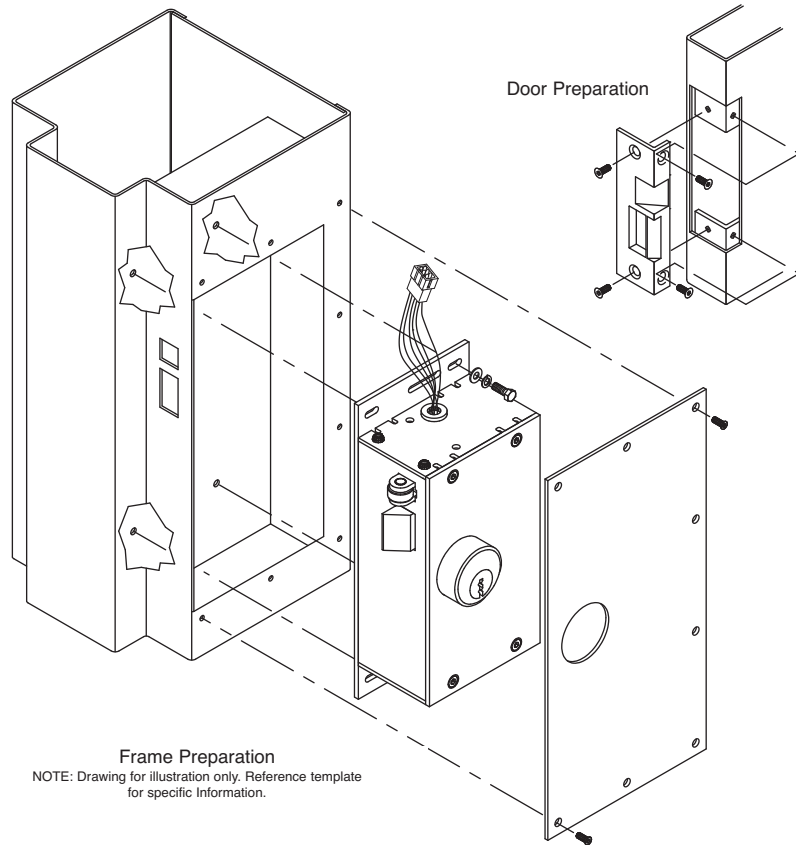
HALF CYCLE HOLDBACK – Remote two-position maintained contact switch is required for this function. Latchbolt is retracted electrically when switch is in open position. When remote switch is returned to locked position, latchbolt will extend when door is opened approximately 2". UL Listing for fire door not available with this function. Specify "D."

NO LATCHBACK – Allows latchbolt to extend without opening door. Normally used with "D" function shown above. Specify "NL."

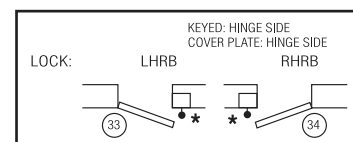
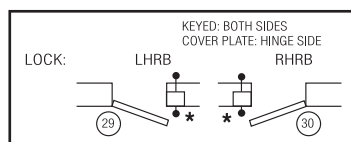
MOGUL CYLINDER – US26D. LOCK IS SOLD LESS CYLINDER.

NOTES:

1. Mogul cylinder driver plate included with lock fits Adtec mogul cylinder.
2. 212X strike included with lock is required for proper door fit.



Specify circled swing number when ordering.



Technical Data

- STANDARD FINISH: Zinc
- COVER: 10 gauge steel plate
- CASE: 10 gauge steel plate
- STRIKE: Stainless steel
- LATCHBOLT: Stainless steel
- DEADLOCK ACTUATOR: Stainless steel
- ELECTRICAL: 120 VAC, 1 phase, 60 Hz, 2.4 amp inrush, 1.8 amp running
- LOCK SIZE: 12" H x 5-25/64" W x 3-3/4" D
- LOCK WEIGHT: 19 lbs.
- LATCHBOLT SIZE: 1-1/2" x 3/4"
- LATCHBOLT THROW: 1"
- UL Listed for use on three-hour fire doors.
- UL Listed as burglary resistant.



Key:	Mogul
Door:	Swinging
Security Level:	Medium and Maximum

2124R MOTOR OPERATED (24 VDC) ELECTRO-MECHANICAL DEADLATCH REPLACEMENT

Description

2124R Deadlatches are 24 VDC motor operated electro-mechanical drop in replacement locks to fit the Adtec 2124 door prep.

Applications

Designed to control medium and maximum security swinging doors that are to be unlocked from a remote location. Jamb mounted. Door position indicator switch, door closer and heavy duty door pull are recommended.

Function

- **Electric** – Remote switch activates a motor which retracts the latchbolt. Latchbolt remains retracted until door is opened approximately 2", then it releases, automatically latches and deadlocks when the door is closed.
- **Mechanical** – Latchbolt is retracted with a mogul key at the door and remains retracted until door is opened approximately 2", then it releases and automatically latches and deadlocks when the door is closed.
- **Testing** – Southern Folger 2124R has been tested to 1,000,000 cycles.



Southern Folger Detention Equipment Company, LLC is neither affiliated nor associated with Adtec or the Adtec Series 2121/2123/2124. Southern Folger is a U.S. registered trademark of Southern Folger Detention Equipment Company, LLC. Adtec is a trademark owned by its respective owner.

For ordering information, please call 210.533.1231.



Key: Mogul
Door: Swinging
Security Level: Medium and Maximum

2124R MOTOR OPERATED (24 VDC) ELECTRO-MECHANICAL DEADLATCH REPLACEMENT

Standard Features

- Deadlock indication switch
- Mechanical latching
- 212X strike with security fasteners
- Mogul cylinder driver plate
- Plug connect/adaptor
- High torque motor
- Fail secure
- Mounting fasteners

Optional Features

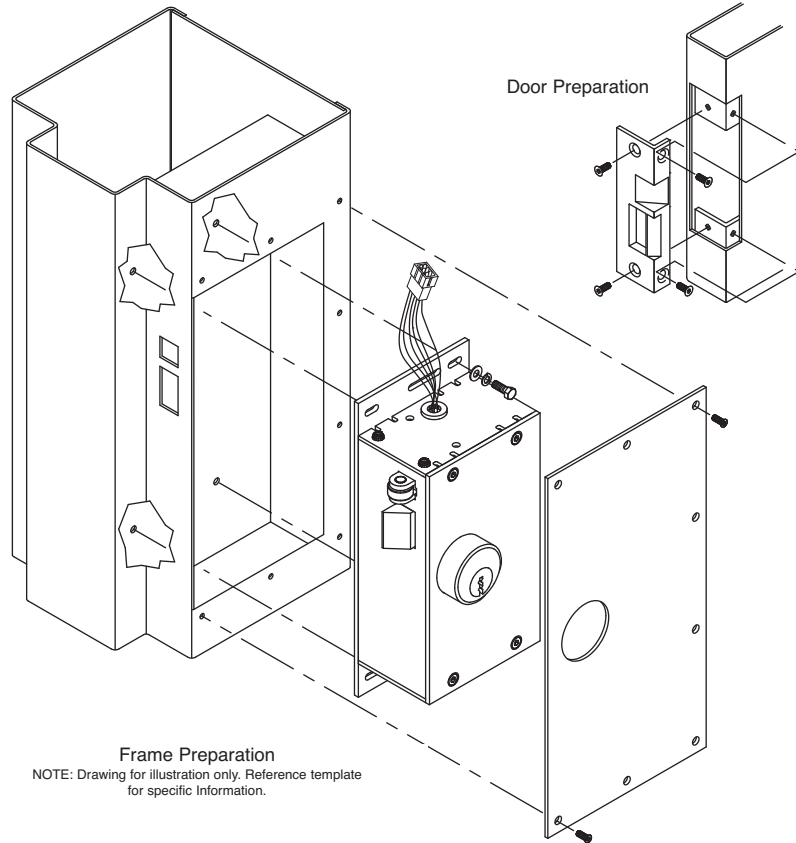
HALF CYCLE HOLDBACK – Remote two-position maintained contact switch is required for this function. Latchbolt is retracted electrically when switch is in open position. When remote switch is returned to locked position, latchbolt will extend when door is opened approximately 2". UL Listing for fire door not available with this function. Specify "D."

NO LATCHBACK – Allows latchbolt to extend without opening door. Normally used with "D" function shown above. Specify "NL."

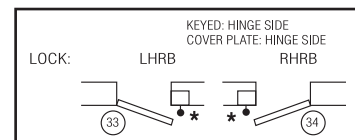
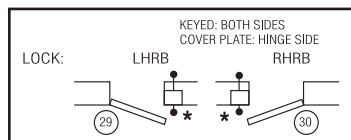
MOGUL CYLINDER – US26D.
LOCK IS SOLD LESS CYLINDER.

NOTES:

1. Mogul cylinder driver plate included with lock fits Adtec mogul cylinder.
2. 212X strike included with lock is required for proper door fit.



Specify circled swing number when ordering.



Technical Data

- STANDARD FINISH: Zinc
- COVER: 10 gauge steel plate
- CASE: 10 gauge steel plate
- STRIKE: Stainless steel
- LATCHBOLT: Stainless steel
- DEADLOCK ACTUATOR: Stainless steel
- ELECTRICAL: 24 VDC, 1 phase, 60 Hz, 3.3 amp stall, .32 amp running
- LOCK SIZE: 12" H x 5-25/64" W x 3-3/4" D
- LOCK WEIGHT: 19 lbs.
- LATCHBOLT SIZE: 1-1/2" x 3/4"
- LATCHBOLT THROW: 1"
- UL Listed for use on three-hour fire doors.
- UL Listed as burglary resistant.



Key: Mogul
Door: Swinging
Security Level: Medium/Maximum

120ER SOLENOID OPERATED ELECTRO-MECHANICAL DEADLATCH REPLACEMENT

122ER: KEYED ONE SIDE
 126ER: KEYED TWO SIDES

Description

120ER Deadlatches are pin tumbler, solenoid-operated locks for swinging doors, designed to be an exact replacement for the old style Folger Adam 122EM and 126EM locks built between 1940 and 1987.

Applications

120ER Deadlatches are designed to replace old style Folger Adam 122EM and 126EM locks without having to replace the frame or cut in a new lock pocket. All 120ER locks are built as 3" deep models.

Function

Standard: When pushbutton closes circuit or when unlocked by key, bolt is retracted and remains retracted until door has been opened slightly. Closing of the door automatically engages and deadlocks the bolt, relocking door.

Without latchback: Specify "NN" when ordering. Once unlocked, the latchbolt is held retracted as long as the solenoid is energized. A maintained contact switch may be used to keep the latchbolt retracted for an extended period of time. (122ERMLLNN)

Testing

120ER Series Deadlatches and Maxi-Mogul® Key Cylinders have been tested to 1,000,000 operations.

Standards Compliance

120ER locks are UL Listed as Burglary-Resistant Mechanisms and Fire Door Accessories to a three-hour rating. Maxi-Mogul® Key Cylinders meet UL437 requirements.

ASTM F1577 Grade 1 - Impact

Standard Features

- **Solenoid actuated** – 120 VAC, 60HZ, continuous duty type.
- **Superior durability** – Working parts of stainless steel afford greater strength and corrosion-resistance.
- **Lock size** – Designed to be an exact replacement for old style-locks.
- **External two-piece plug connector** – All models include a simple plug-in connection to field wiring.
- **Case Size** – 3" deep case for all models. When replacing the 3-7/8" deep version, a modification of the lock pocket may be required.
- **Remote Electric Unlocking** – Accomplished by either a momentary-contact or a two-position, maintained-contact switch. Unlocks when energized, when connected to a:
 - **Momentary-Contact Switch** – Latchbolt retracts when solenoid is energized. Once retracted, latchbolt is held mechanically retracted until door is opened. Latchbolt extends when door is open.
 - **Maintained-Contact Switch** – Latchbolt retracts when solenoid is energized. Once retracted, latchbolt is held electrically retracted for an extended period of time. Latchbolt extends only when door is open and solenoid is de-energized.
- **Deadlocks Automatically** – Lock automatically deadlocks when the door is closed and the latchbolt is extended.
- **Unlocks by Key** – In case of power failure, or at any other time. When unlocked by key, latchbolt remains retracted until door is opened. Latchbolt extends when door is open.
- **Stainless Steel Strike** – Furnished with four tamper-resistant screws.
- **Continuous-duty solenoid** – For instant action.
- **Finish** – Zinc plated case and cover.



For ordering information, please call 210.533.1231.



Key: Mogul
Door: Swinging
Security Level: Medium/Maximum

120ER SOLENOID OPERATED ELECTRO-MECHANICAL DEADLATCH REPLACEMENT

Optional Features

- **Retro Lock Pocket Cover** – Plate is available when removal of 7/8" bustle is required. Larger than the existing cover, it provides new screw hole locations.
- **Deadbolt** – Models 122ERD and 126ERD have no rollerbolt. When unlocked by electric device or key, deadbolt remains unlocked until relocked by key at the door. As an emergency egress door, deadbolt is normally set to unlock with activation of fire alarm.

Specifications

- **Case and cover** – 10 gauge steel.
- **Latchbolt** – Investment-cast stainless steel hardened.
- **Deadlock actuator** – Stainless steel, roller type.
- **Solenoid** – 120 VAC continuous duty.

SOLENOID	CONTINUOUS-DUTY TYPE
RATINGS	120 VAC, 60 HZ, 13.0 AMPS inrush, .75 AMPS seated
INDICATION SWITCHES	SINGLE-POLE, DOUBLE-THROW TYPES (SPDT)
RATINGS	11 AMPS @ 125 VAC

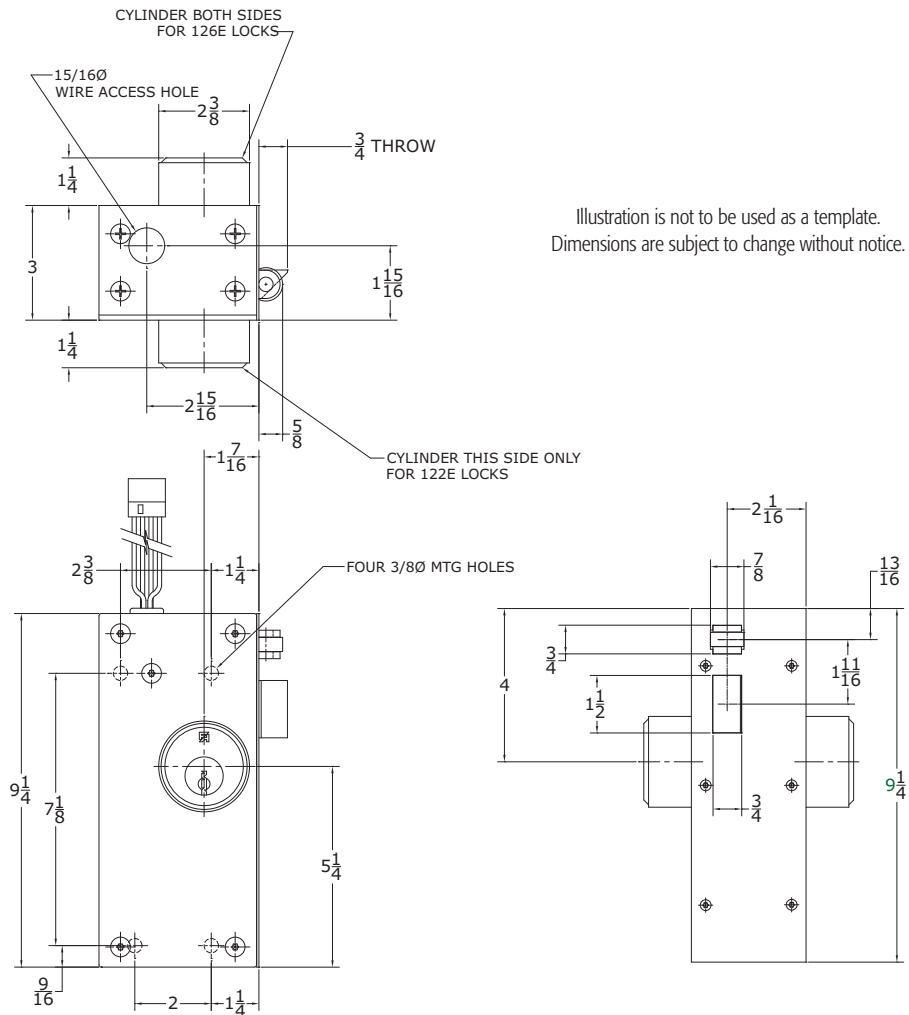
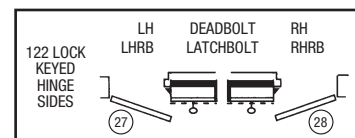
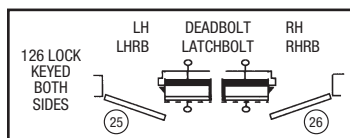


Illustration is not to be used as a template. Dimensions are subject to change without notice.

Specify circled swing number when ordering.



P.O. Box 2021, San Antonio, TX 78297 ■ Ph: 210.533.1231 ■ Fx: 210.533.2211
 Web: www.SouthernFolger.com ■ Email: info@southernfolger.com

Key: Mogul
Door: Swinging
Security Level: Medium/Maximum

120M RETRO MOTOR-OPERATED ELECTRO-MECHANICAL DEADLATCH REPLACEMENT

122M Retro: KEYED ONE SIDE
126M Retro: KEYED TWO SIDES

Description

120M Retro Deadlatches are pin tumbler, motor-operated electro-mechanical locks for swinging doors, designed to be a drop-in replacement for the old style Folger Adam 122M and 126M locks built between 1940 and 1987.

Applications

120M Retro Deadlatches are designed to replace old style Folger Adam 122M and 126M locks without having to replace the frame or cut in a new lock pocket.

Function

Standard (1): Series 120M Retro locks unlock by a momentary contact switch when the motor is energized. Once retracted, the latchbolt is held mechanically retracted until the door is opened. Latchbolt extends when the door is open. Deadlocks automatically when the door is closed.

Testing

Southern Folger 120M Retro has been tested to 1,000,000 cycles.

Standards Compliance

UL® Listed as Burglary-Resistant Mechanisms and Fire Door Accessories to a three hour rating.

Standard Features

- **Motor voltage** – 120 VAC
- **Superior durability** – Working parts of stainless steel afford greater strength and corrosion resistance.
- **Lock size** – Designed to fit prep for old-style locks.
- **External two-piece plug connector** – A field receptacle is included for connection to existing field wiring. The lock is equipped with matching plug. This plug allows the lock to be operated with Southern Folger TestPro Test Unit for easy servicing.
- **1" throw latchbolt** – Offers greater security. Each bolt is hardened to resist sawing. When latchbolt is engaged in strike, bevel is concealed to prevent picking.
- **Unlocks by key** – In case of power failure, or at any other time. When unlocked by key, latchbolt remains retracted until door is opened. Latchbolt extends when door is open.
- **Stainless Steel Strike** – Furnished with four tamper-resistant screws. Fits doors 1-3/4" thick or more.
- **Fractional HP Motor** – Permanently lubricated for smooth quiet operation with thermal overload protection and a brake for accurate locking position.
- **Indication Switch** – An indication switch monitors the deadlock lever indicating a deadlocked latchbolt. This feature can be used for remote door monitoring, to control alarms, indicating lights, interlocking, etc.
- **Mogul Cylinder Driver Plate**



COMING SOON!

Optional Features

- **No-notch Feature** – The holdback lever has “no notch” to hold latchbolt mechanically retracted. Specify “04.”

LOCK IS SOLD LESS CYLINDER.

If cylinder is required, specify Folger Adam Mogul or Maxi-Mogul® key cylinders.

NOTE: Mogul cylinder driver plate included with lock fits existing Folger Adam cylinder.

For ordering information, please call 210.533.1231.



Key: Mogul
Door: Swinging
Security Level: Medium/Maximum

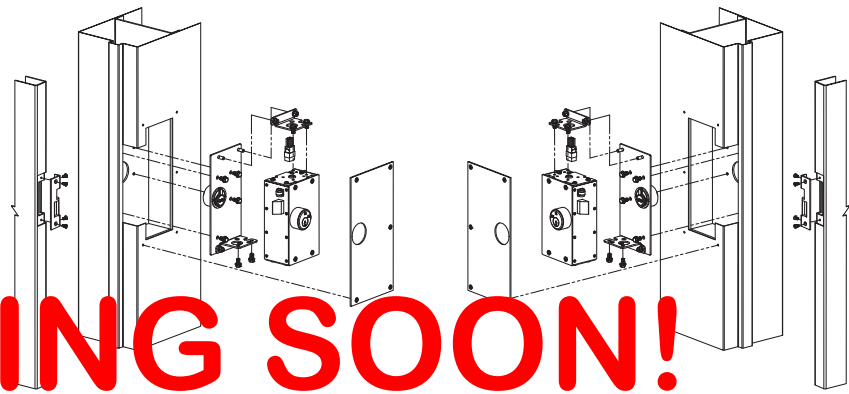
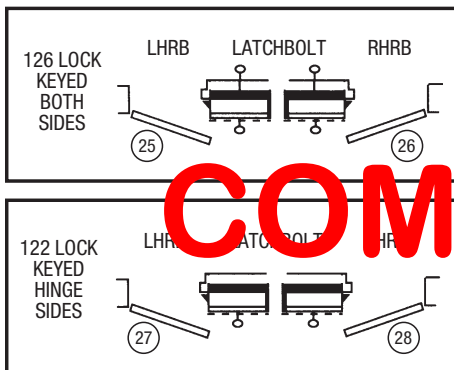
120M RETRO MOTOR-OPERATED ELECTRO-MECHANICAL DEADLATCH REPLACEMENT

Specifications

- COVER: 10 gauge steel plate.
- CASE: 10 gauge steel plate.
- LATCHBOLT: Stainless steel.
- DEADLOCK ACTUATOR: Stainless steel.
- MOTOR: 120 VAC continuous duty.
- LATCHBOLT THROW: 1"
- FACEPLATE: Stainless steel.

MOTOR	SYNCHRONOUS-TYPE WITH BRAKE
RATINGS	120 VAC, 60 HZ, 1.3 AMPS full-load
INDICATION SWITCHES	SINGLE-POLE, DOUBLE-THROW TYPES (SPDT)
RATINGS	15 AMPS @ 125 or 250 VAC

Specify circled Folger Adam swing number when ordering.



COMING SOON!

Illustrations are not to be used as a templates.

HOW TO SPECIFY 120M RETRO SERIES LOCKS

1 2 3 4 5
126 M Retro - 1 x 01 x LHRB

1 Keying Location
 122 Cover Side
 126 Both Sides

2 Basic Models Deadlatches
 M Retro Full-Rotation Motor

3 Operation Series
 1 Standard

4 Switch Functions
 01 Deadlock Indication Switch with Latchback
Optional Operation
 04 NN-No Notch No Latchback

5 Lock Handing* Deadlatches
 LHRB Left Hand Reverse Bevel
 RHRB Right Hand Reverse Bevel

KEY CYLINDER NOT INCLUDED.
 May be used with existing Folger Adam Mogul or Maxi-Mogul® cylinder.

*For application handing see the handing chart above.



P.O. Box 2021, San Antonio, TX 78297 ■ Ph: 210.533.1231 ■ Fx: 210.533.2211
 Web: www.SouthernFolger.com ■ Email: info@southernfolger.com

Key: Mogul
Door: Swinging
Security Level: Medium/Maximum

SOUTHERN FOLGER RETRO SOLUTIONS

120MC RETRO MOTOR-OPERATED ELECTRO-MECHANICAL HALF-CYCLE DEADLATCH REPLACEMENT

122MC Retro: KEYED ONE SIDE
126MC Retro: KEYED TWO SIDES

Description

120MC Retro Deadlatches are pin tumbler, motor-operated electro-mechanical locks for swinging doors, designed to be a drop-in replacement for the old style Folger Adam 122MC and 126MC locks built between 1940 and 1987.

Applications

120MC Retro Deadlatches are designed to replace old style Folger Adam 122MC and 126MC locks without having to replace the frame or cut in a new lock pocket.

Function

Standard (1): Unlocks when the motor is energized by either a two or three position, maintained contact switch, or a three position momentary contact switch. Once unlocked, the latchbolt remains retracted until it is selected to lock. Opening and closing the door has no effect on the lock when selected to unlock. The latchbolt extends only when the door is opened and the motor is selected to lock. If the door is closed, it must be opened to extend the latchbolt.

Testing

Southern Folger 120MC Retro has been tested to 1,000,000 cycles.

Standards Compliance

UL® Listed as Burglary-Resistant Mechanisms.

Standard Features

- **Motor voltage** – 120 VAC
- **Superior durability** – Working parts of stainless steel afford greater strength and corrosion resistance.
- **Lock size** – Designed to fit prep for old-style locks.
- **External two-piece plug connector** – A field receptacle is included for connection to existing field wiring. The lock is equipped with matching plug. This plug allows the lock to be operated with Southern Folger's Protective Plug for easy servicing.
- **1" throw latchbolt** – Offers greater security. Each bolt is hardened to resist sawing. When latchbolt is engaged in strike, bevel is concealed to prevent picking.
- **Unlocks by key** – In case of power failure, or at any other time. When unlocked by key, latchbolt remains retracted until door is opened. Latchbolt extends when door is open.
- **Stainless Steel Strike** – Furnished with four tamper-resistant screws. Fits doors 1-3/4" thick or more.
- **Fractional HP Motor** – Permanently lubricated for smooth quiet operation with thermal overload protection and a brake for accurate locking position.
- **Indication Switch** – An indication switch monitors the deadlock lever indicating a deadlocked latchbolt. This feature can be used for remote door monitoring, to control alarms, indicating lights, interlocking, etc.
- **Mogul Cylinder Driver Plate**



Optional Features

- **Without Latchback (04)** – Once unlocked, the latchbolt is held retracted only as long as the motor remains in the unlocked position. A maintained-contact switch may be used to keep the latchbolt retracted for an extended period of time.
- **No-notch Feature** – The holdback lever has “no notch” to hold latchbolt mechanically retracted. Specify “04.”

LOCK IS SOLD LESS CYLINDER.

If cylinder is required, specify Folger Adam Mogul or Maxi-Mogul® key cylinders.

NOTE: Mogul cylinder driver plate included with lock fits existing Folger Adam cylinder.

For ordering information, please call 210.533.1231.



Key: Mogul
Door: Swinging
Security Level: Medium/Maximum

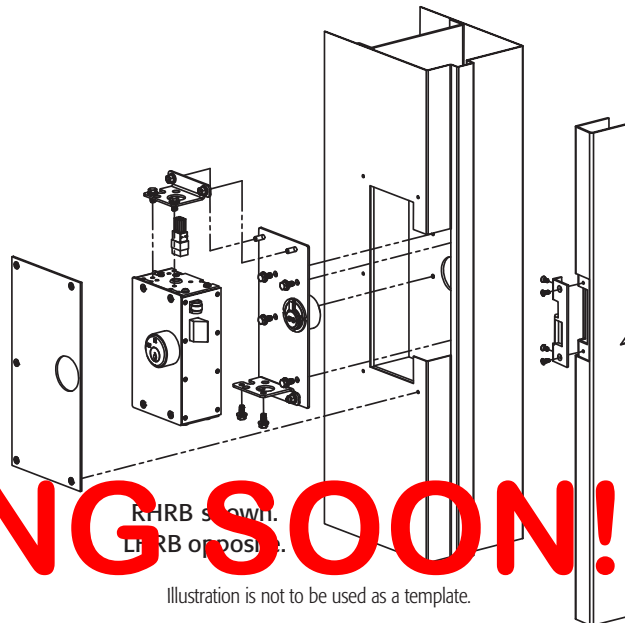
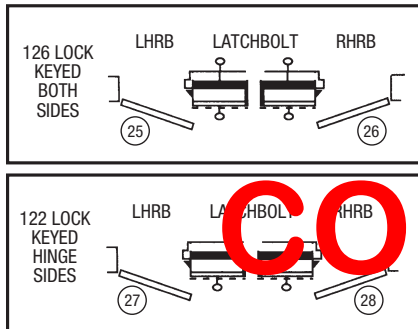
120MC RETRO MOTOR-OPERATED ELECTRO-MECHANICAL HALF-CYCLE DEADLATCH REPLACEMENT

Specifications

- COVER: 10 gauge steel plate.
- CASE: 10 gauge steel plate.
- LATCHBOLT: Stainless steel.
- DEADLOCK ACTUATOR: Stainless steel.
- MOTOR: 120 VAC continuous duty synchronous-type gear motor with brake.
- LATCHBOLT THROW: 1"
- FACEPLATE: Stainless steel.

Specify circled Folger Adam swing number when ordering.

MOTOR	SYNCHRONOUS-TYPE WITH BRAKE
RATINGS	120 VAC, 60 HZ, 1.3 AMPS full-load
INDICATION SWITCHES	SINGLE-POLE, DOUBLE-THROW TYPES (SPDT)
RATINGS	15 AMPS @ 125 or 250 VAC



COMING SOON!

HOW TO SPECIFY 120M RETRO SERIES LOCKS

1 2 3 4 5
126 MC Retro - 1 x 01 x LHRB

<p>1 Keying Location</p> <p>122 Cover Side</p> <p>126 Both Sides</p>	<p>2 Basic Models Deadlatches</p> <p>MC Retro Two-Position Motor</p> <p>KEY CYLINDER NOT INCLUDED. May be used with existing Folger Adam Mogul or Maxi-Mogul® cylinder.</p>	<p>3 Operation Series</p> <p>1 Standard</p>	<p>4 Switch Functions</p> <p>01 Deadlock Indication Switch with Latchback</p> <p>Optional Operation</p> <p>04 NN-No Notch No Latchback</p>	<p>5 Lock Handing* Deadlatches</p> <p>LHRB Left Hand Reverse Bevel</p> <p>RHRB Right Hand Reverse Bevel</p>
---	--	---	--	--

*For application handing see the handing chart above.



Key:	Mogul
Door:	Swinging
Security Level:	Medium and Maximum

10120ER SOLENOID OPERATED ELECTRO-MECHANICAL DEADLATCH REPLACEMENT

10120ER-1: KEYED ONE SIDE
10120ER-2: KEYED TWO SIDES

Description

10120ER Deadlatches are solenoid operated electro-mechanical drop in replacement locks to fit the Southern Steel 10120E door prep.

Applications

Designed to control medium and maximum security swinging doors that are to be unlocked from a remote location. Jamb mounted. Door position indicator switch, door closer and heavy duty door pull are recommended.

Function

- **Electric** – Remote switch activates a solenoid which retracts the latchbolt. Latchbolt remains retracted until door is opened approximately 2", then it releases, automatically latches and deadlocks when the door is closed.
- **Mechanical** – Latchbolt is retracted with a mogul key at the door and remains retracted until door is opened approximately 2", then it releases and automatically latches and deadlocks when the door is closed.
- **Testing** – Southern Folger 10120ER has been tested to 1,000,000 cycles.



For ordering information, please call 210.533.1231.



Key: Mogul
Door: Swinging
Security Level: Medium and Maximum

10120ER SOLENOID OPERATED ELECTRO-MECHANICAL DEADLATCH REPLACEMENT

Standard Features

- Deadlock indication switch
- Mechanical latchback
- Strike with security fasteners
- Mogul cylinder driver plate
- Plug connect
- Continuous duty solenoid
- Fail secure
- Mounting fasteners

Optional Features

NO LATCHBACK – Latchbolt remains retracted as long as control switch is activated. Latchbolt extends when power is removed. Specify “NL.”

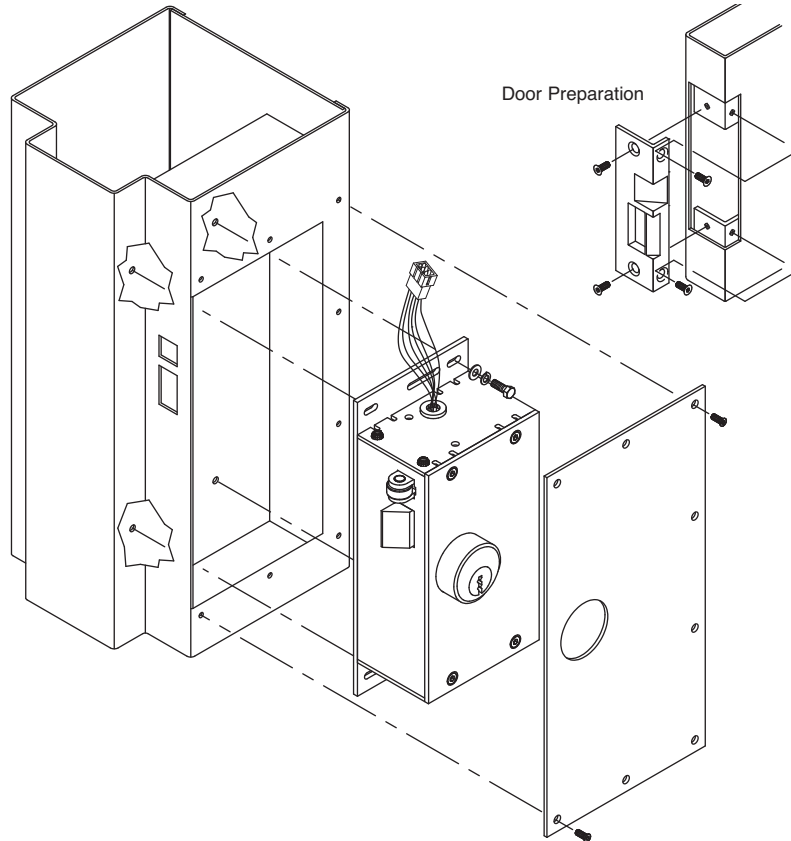
KNOB FUNCTION - Knob function in existing lock can be reused by using mogul kit part number 76763989.

MECHANICAL KEY HOLDBACK (MANUAL HOLDBACK) - Available on cover side only. Bolt retracted by key, remains retracted until manually projected with key. UL Listing for fire door not available with this function. Specify “MKH”.

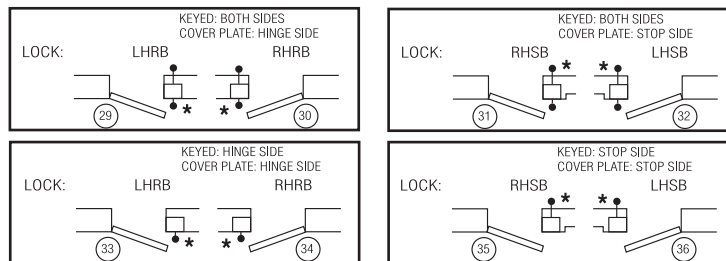
EMERGENCY EXIT DOOR HOLDBACK - Deadbolt retracted by solenoid or by key, extended by key only (no snap latch feature). When bolt is extended, lock is dead locked. UL Listing for fire door not available with this function. Specify “EED”.

LOCK IS SOLD LESS CYLINDER.

NOTE: Mogul cylinder driver plate included with lock fits existing M5 mogul cylinder.



Specify circled swing number when ordering.



* Indicates both mounting /access plate side.

Technical Data

- STANDARD FINISH: Zinc
- COVER: 10 gauge steel plate
- CASE: 10 gauge steel plate
- STRIKE: Stainless steel
- LATCHBOLT: Stainless steel
- DEADLOCK ACTUATOR: Stainless steel
- LOCK SIZE: 12" H x 5-7/16" W x 3-3/4" D
- ELECTRICAL: 120 VAC, 1 phase, 60 Hz, 7.5 amp inrush, .75 amp seated
- LOCK WEIGHT: 19 lbs.
- LATCHBOLT SIZE: 1-1/2" x 3/4"
- LATCHBOLT THROW: 1"
- UL Listed for use on three-hour fire doors.
- UL Listed as burglary resistant.



Key:	Mogul
Door:	Swinging
Security Level:	Medium and Maximum

10120MR MOTOR OPERATED (120 VAC) ELECTRO-MECHANICAL DEADLATCH REPLACEMENT

10120MR-1: KEYED ONE SIDE
10120MR-2: KEYED TWO SIDES

Description

10120MR Deadlatches are 120 VAC motor operated electro-mechanical drop in replacement locks to fit the Southern Steel 10120M door prep.

Applications

Designed to control medium and maximum security swinging doors that are to be unlocked from a remote location. Jamb mounted. Door position indicator switch, door closer and heavy duty door pull are recommended.

Function

- **Electric** – Remote switch activates a motor which retracts the latchbolt. Latchbolt remains retracted until door is opened approximately 2", then it releases, automatically latches and deadlocks when the door is closed.
- **Mechanical** – Latchbolt is retracted with a mogul key at the door and remains retracted until door is opened approximately 2", then it releases and automatically latches and deadlocks when the door is closed.
- **Testing** – Southern Folger 10120MR has been tested to 1,000,000 cycles.



For ordering information, please call 210.533.1231.



Key: Mogul
Door: Swinging
Security Level: Medium and Maximum

10120MR MOTOR OPERATED (120 VAC) ELECTRO-MECHANICAL DEADLATCH REPLACEMENT

Standard Features

- Deadlock indication switch
- Mechanical latchback
- Strike with security fasteners
- Mogul cylinder driver plate
- Plug connect
- High torque motor
- Fail secure
- Mounting fasteners

Optional Features

HALF CYCLE HOLDBACK – Remote two-position maintained contact switch is required for this function. Latchbolt is retracted electrically when switch is in open position. When remote switch is returned to locked position, latchbolt will extend when door is opened approximately 2". UL Listing for fire door not available with this function. Specify "D."

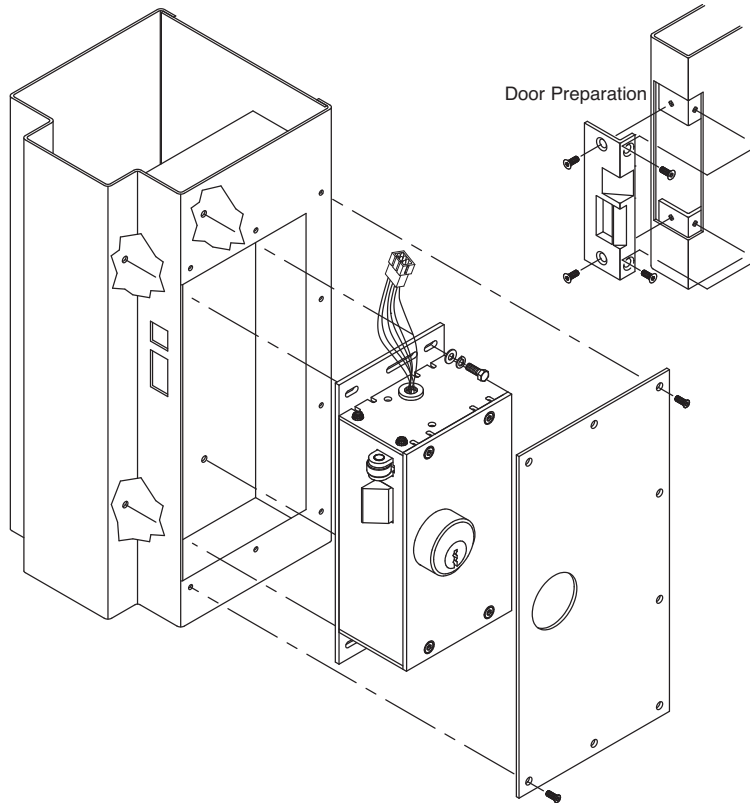
NO LATCHBACK – Allows latchbolt to extend without opening door. Normally used with "D" function shown above. Specify "NL."

KNOB FUNCTION - Knob function in existing lock can be reused by using mogul kit part number 76763989.

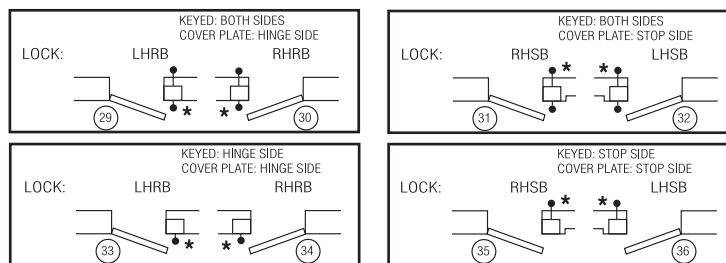
MECHANICAL KEY HOLDBACK (MANUAL HOLDBACK) - Available on cover side only. Bolt retracted by key, remains retracted until manually projected with key. UL Listing for fire door not available with this function. Specify "MKH".

LOCK IS SOLD LESS CYLINDER.

NOTE: Mogul cylinder driver plate included with lock fits existing M5 mogul cylinder.



Specify circled swing number when ordering.



* Indicates both mounting / access plate side.

Technical Data

- STANDARD FINISH: Zinc
- COVER: 10 gauge steel plate
- CASE: 10 gauge steel plate
- STRIKE: Stainless steel
- LATCHBOLT: Stainless steel
- DEADLOCK ACTUATOR: Stainless steel
- ELECTRICAL: 120 VAC, 1 phase, 60 Hz, 2.4 amp inrush, 1.8 amp running
- LOCK SIZE: 12" H x 5-7/16" W x 3-3/4" D
- LOCK WEIGHT: 19 lbs.
- LATCHBOLT SIZE: 1-1/2" x 3/4"
- LATCHBOLT THROW: 1"
- UL Listed for use on three-hour fire doors.
- UL Listed as burglary resistant.



Key: Builder's Hardware**Door:** Swinging**Security Level:** Minimum and Medium

10195R SOLENOID OPERATED ELECTRO-MECHANICAL DEADLATCH REPLACEMENT

10195R-1: KEYED ONE SIDE

10195R-2: KEYED TWO SIDES

Description

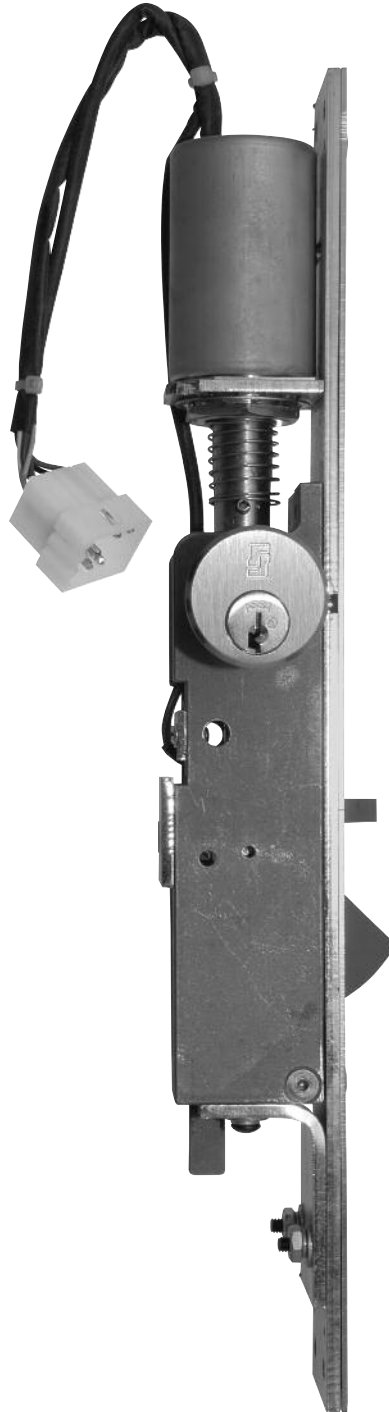
10195R Deadlatches are solenoid operated electro-mechanical drop in replacement locks to fit Southern Steel 10195 door prep.

Applications

Designed to control minimum and medium security swinging doors that are to be unlocked from a remote location. Jamb mounted. Door position indicator switch, door closer and heavy duty door pull are recommended.

Function

- **ELECTRIC** – Remote switch activates a solenoid which retracts the latchbolt. Latchbolt remains retracted approximately 2 seconds, then it releases, automatically latches and deadlocks when the door is closed.
- **MECHANICAL** – Latchbolt is retracted with a builder's hardware key at the door, and remains retracted while key is held in retracted position. When latchbolt is no longer held by key, the lock latches and deadlocks when the door is closed.



For ordering information, please call 210.533.1231.



10195R SOLENOID OPERATED ELECTRO-MECHANICAL DEADLATCH REPLACEMENT

Standard Features

- Deadlock indication switch
- 2 second electrical holdback
- Strike with security fasteners
- Faceplate with security fasteners
- Plug connector
- High power, dual coil solenoid with overload protection. Intermittent coil is protected by module. Second coil is continuous duty.
- Fail secure
- Mounting fasteners

Optional Features

FOR ORDERING NEW BUILDER'S HARDWARE CYLINDERS – Specify:

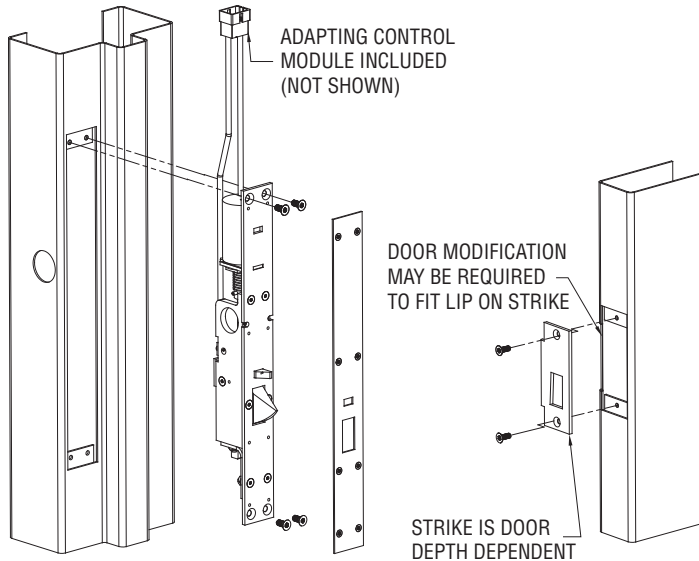
- "10195R-1" keyed one side.
- "10195R-2" keyed both sides.

KEY CYLINDER EXTENDER – Special order - priced on request.

LOCAL ELECTRIC KEYSWITCH - Day key provides local electric operation and may be disabled from remote control point. Master key provides both electric and mechanical operation. Requires dual-function enhancement to builder's cylinder. Specify "LEK."

To Order

- Provide door thickness of 1-3/4" or 2"
- Handing

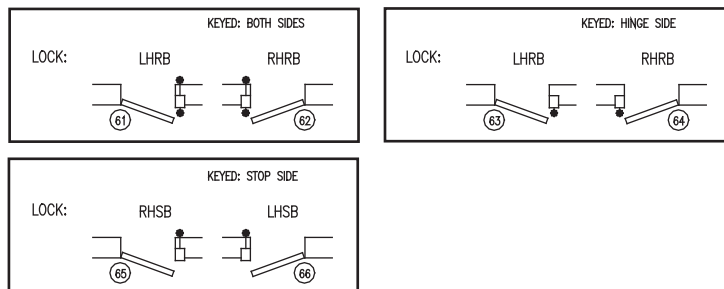


Strike is supplied with lip. Modifications for clearance may be required.

Frame Preparation

NOTE: Drawing for illustration only. Reference template for specific information.

Specify circled swing number when ordering.



Technical Data

- STANDARD FINISH: US32D
- LOCK BODY: Stainless steel
- FACE PLATE: Stainless steel
- LATCHBOLT: Stainless steel
- DEADLOCK ACTUATOR: Stainless steel
- ELECTRICAL: 24 VDC, 3.6 amp inrush, .32 amp seated*
- LOCK SIZE: 10-5/8" H x 1-1/2" W x 1-13/16" D
- LOCK WEIGHT: 3.3 lbs.
- LATCHBOLT THROW: 3/4"
- BUILDER'S CYLINDER: 1-5/32" diameter with standard Yale cam or equal

*Minimum voltage 22VDC when unlock solenoid energized. Maximum voltage not greater than 28VDC at any point.



Key: Builder's Hardware

Door: Swinging

Security Level: Minimum and Medium

10200R SOLENOID OPERATED ELECTRO-MECHANICAL DEADLATCH REPLACEMENT

10200R-1: KEYED ONE SIDE
10200R-2: KEYED BOTH SIDES

Description

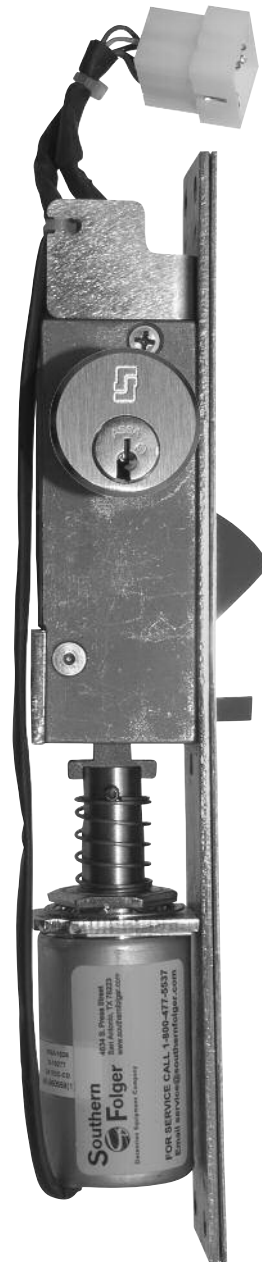
10200R Deadlatches are solenoid operated electro-mechanical drop in replacement locks to fit Southern Steel 10200 door prep.

Applications

Designed to control minimum and medium security swinging doors that are to be unlocked from a remote location. Jamb mounted. Door position indicator switch, door closer and heavy duty door pull are recommended.

Function

- **ELECTRIC** – Remote switch activates a solenoid which retracts the latchbolt. Latchbolt remains retracted approximately 2 seconds, then it releases, automatically latches and deadlocks when the door is closed.
- **MECHANICAL** – Latchbolt is retracted with a builder's hardware key at the door. When released, it automatically latches and deadlocks when the door is closed.



For ordering information, please call 210.533.1231.



10200R SOLENOID OPERATED ELECTRO-MECHANICAL DEADLATCH REPLACEMENT

Standard Features

- Deadlock indication switch
- 2 second electronic latchback
- Strike with security fasteners
- Faceplate with security fasteners
- Plug connector
- High power, dual coil solenoid with overload protection. Intermittent coil is protected by module. Second coil is continuous duty.
- Fail secure
- Mounting fasteners

Optional Features

FOR ORDERING NEW BUILDER'S HARDWARE CYLINDERS – Specify:

- "10200R-1" keyed one side.
- "10200R-2" keyed both sides.

LOCAL ELECTRIC KEYSWITCH – Day key provides local electric operation and may be disabled from remote control point. Master key provides both electric and mechanical operation.

Requires dual-function enhancement to builder's cylinder. Specify "LEK."

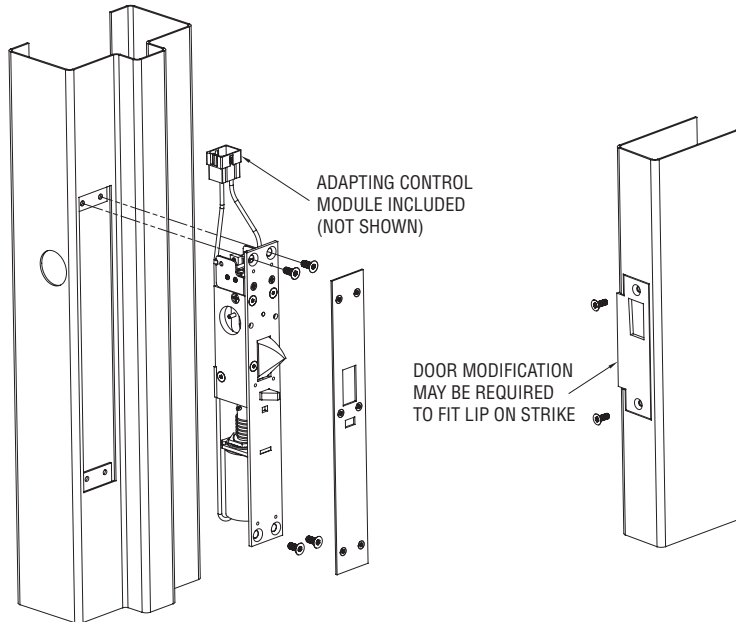
NOTE: New cylinders are required.

This feature is not compatible with existing key cylinders. Rotation is opposite of existing. Specify "LEK" when ordering.

KEY CYLINDER EXTENDER – Special order – priced on request.

To Order

- Provide door thickness of 1-3/4" or 2"
- Handing

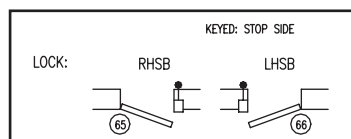
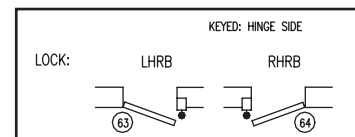
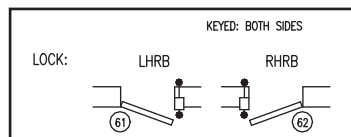


Strike is supplied with lip. Modifications for clearance may be required.

Frame Preparation

NOTE: Drawing for illustration only. Reference template for specific information.

Specify circled swing number when ordering.



Technical Data

- STANDARD FINISH: US32D
- LOCK BODY: Stainless steel
- FACE PLATE: Stainless steel
- LATCHBOLT: Stainless steel
- DEADLOCK ACTUATOR: Stainless steel
- ELECTRICAL: 24 VDC, 3.6 amp inrush, .32 amp seated*

- LOCK SIZE: 13-3/8" H x 1-1/2" W x 1-13/16" D
- LOCK WEIGHT: 4.1 lbs.
- LATCHBOLT SIZE: 1-5/8" H x 5/8" TK
- LATCHBOLT THROW: 3/4"
- BUILDER'S CYLINDER: 1-5/32" diameter with standard Yale cam or equal

*Minimum voltage 22VDC when unlock solenoid energized. Maximum voltage not greater than 28VDC at any point.



**SURFACE-MOUNTED
LOCK ENCLOSURE FOR
RETROFIT APPLICATIONS**

THE SENTINEL

Description

For retrofit of existing cell door with medium-maximum security UL-listed and ASTM-tested Southern Steel 10120A series electro-mechanical deadlatch. Optional LED light indication visually displays door status at a glance. The enclosure has an interlocking body design for detention grade applications.

Applications

Mounts to existing cell door frame. Single or dual case application.

Standard Features

- Southern Steel 10120A Series lock
- Standard 10120A strike
- Built in recessed handpull
- Single case

Optional Features

- Southern Steel 200 MRS TB door position switch
- Single or dual LED door status light indication
- Zinc plated
- Customized dual case
- Customized key control options



Single case shown with optional LED indication.

Technical Data

- SINGLE:
14-3/16"W x 20-9/16"H x 4-7/8"D
- ENCLOSURE:
10 gauge (0.135") Steel
- STANDARD FINISH: USP

For ordering information, please call 210.533.1231.





P.O. Box 2021, San Antonio, TX 78297 ■ Ph: 210.533.1231 ■ Fx: 210.533.2211
Web: www.SouthernFolger.com ■ Email: info@southernfolger.com

Rev. 10-13



P.O. Box 2021, San Antonio, TX 78297 ■ Ph: 210.533.1231 ■ Fx: 210.533.2211
Web: www.SouthernFolger.com ■ Email: info@southernfolger.com

Rev. 10-13



P.O. Box 2021, San Antonio, TX 78297 ■ Ph: 210.533.1231 ■ Fx: 210.533.2211
Web: www.SouthernFolger.com ■ Email: info@southernfolger.com

For ordering information, please call 210.533.1231.





Southern
 **Folger**

Detention Equipment Company

4634 S. Presa Street, San Antonio, TX 78223

Phone 210-533-1231 • Fax 210-533-2211

www.SouthernFolger.com

See who we are. See all we do.
