

VIDEO VISITATION

SecurVu™

Video Visitation through a lens of experience

APPLICATION:

SecurVu™ Video Visitation provides a robust IP-based solution custom designed for the harsh correctional environment. Facilities of any size and security level can efficiently schedule, manage, monitor and record visitations. Easily links facilities to remote or onsite Visitor Centers. Increases facility security by reducing contraband exchange, conflicts between visitors and overcrowded waiting areas. Reduces operational costs by streamlining the entire visitation process and reducing inmate movement. Intuitive and easy to operate. Interchangeable, non-proprietary components.

FUNCTIONS AVAILABLE:

ADMINISTRATIVE SUPPORT -

- JMS interface
- Configurable visit quotas and policies
- Approved visitor list enforcement
- Flexible searches and reports
- Viewing and interrupt options
- Support and upgrades

AUTOMATED FEATURES -

- Automated start/stop of visits
- Full audit trail - authorized users can quickly search, view and burn copies
- Software allows easy access to inmate availability, station availability quotas, housing schedules and inmate or visitor restrictions
- Card swipe check-in capability



Standard Unit Shown

WEB-BASED

SCHEDULING -

- Public online scheduling
- Staff scheduling
- Scheduling from lobby kiosk
- Inmate scheduling from dayroom kiosk
- Automatic scheduling conflict check
- Automatic visit cancellation

RECORDING FEATURES -

- Utilizes standard servers for processing and recording storage
- Two levels of recording - standard and investigative
- Synchronized and standards-based file format

**Southern
Folger**

VIDEO VISITATION

SecurVu™

Video Visitation through a lens of experience

FLEXIBLE AND SCALABLE -

Cost effective, customized solutions for current needs and future upgrades for facilities of any size.

COMPATIBILITY WITH EXISTING

SYSTEMS - Works with existing video visitation units in many cases, or it can be integrated with traditional non-video based visitation processes.

STANDARD HARDWARE COMPONENTS -

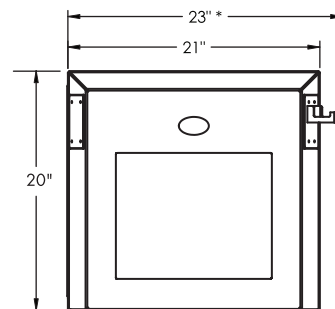
- Corrections-grade 12 gauge steel enclosure with sloped top to prevent use as a shelf
- Secure housing for camera, video display, video transmission equipment, audio handset and associated electronics
- Hinged front door provides easy access to internal components
- Neoprene seal serves as moisture barrier
- IP video/audio CODEC
- 17" color monitor with 1/2", shatterproof Lexan® polycarbonate view panel
- High definition color camera
- Durable, detention-grade handset with magnetic hook switch. Armored handset cords are rated at 1200 lbs. peak load
- Pushbutton volume control for handset
- Includes separate mounting plate for ease of wall-mount installation
- Standard Finish: Textured black
Color matching is available

OPTIONS:

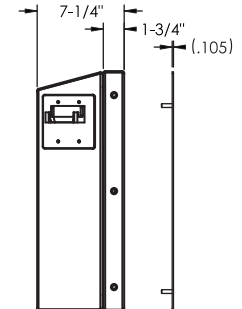
- Dual handsets available for visitor stations
- Hands-free option available on visitor and inmate units
- Stainless steel enclosure
- Mobile cart for portability to medical or isolation cells - adjustable or fixed height
- Privacy screen
- Can be linked to courtroom arraignment system



Top View

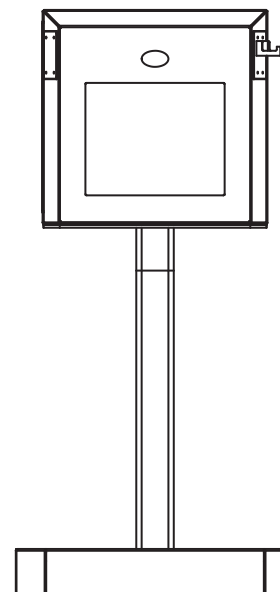


Front View



Side View with Mounting Plate

Phone Handset Not Shown For Clarity



Mobile Cart

**Southern
Folger**