

## DOOR MOUNTED FOR SLIDING DOORS

Maximum security.

# 1030A AUTOMATIC DEADLOCK

1030A-1: KEYED ONE SIDE  
1030A-2: KEYED BOTH SIDES

### APPLICATION:

High security sliding doors at holding cells, medium-to-low traffic corridors and cutoff doors. Sliding door normally requires a Model 1300 Track Set.

### FUNCTION:

Key activated unlocking. Hook bolt snaplocks upon closing. Final 3/8" of door travel pushes plunger pin against door jamb and deadlocks bolt.



## DOOR MOUNTED FOR SLIDING DOORS

Maximum security.

### STANDARD FEATURES:

- Automatic deadlock
- Six heavy-duty tumblers
- Mounting fastener

### OPTIONAL FEATURES:

#### KNOB FUNCTION -

Knob will retract hook bolt. Knob on one side only. No key required. Specify "1030AK." Knob finish US26D.

#### HOLLOW METAL MOUNTING -

Used for hollow metal door application. Specify "HM."  
(See page F17)

#### GRATING DOOR MOUNTING -

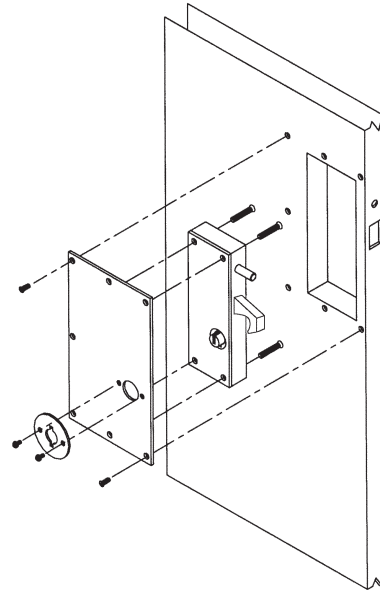
Used for grating door application. Specify "G."  
(See page F17)

#### HOW TO ORDER:

Specify:

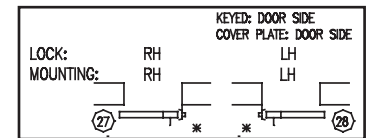
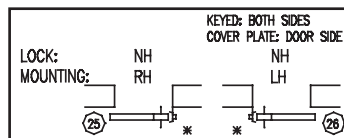
1. Quantity
2. Swing chart number (handing)
3. Application (HM, G)
4. Key code instruction

## 1030A AUTOMATIC DEADLOCK



HM Mounting Shown

**Swing Chart:** Specify circled swing number when ordering.



\* Indicates lock mounting/access plate side.

### TECHNICAL DATA:

- STANDARD FINISH: Galvanized
- COVER: Cold-rolled steel
- CASE: Ductile iron
- HOOKBOLT: Cold-rolled, case-hardened steel
- PARACENTRIC CYLINDER: Silicon bronze/copper alloy
- TUMBLERS: Spring tempered brass. Tumblers actuated by phosphor bronze springs, six tumblers per lock
- LOCK SIZE: 10" H x 3-1/2" W x 1-1/2" TK
- LOCK WEIGHT: 12 lbs.
- LATCHBOLT SIZE: 1-5/8" H x 1/2" TK

