

## FOR GROUPS OF SLIDING CELL DOORS

Maximum security.

### 8010L PNEUMATIC LOCKING SYSTEM

For use where remote electric unlocking of groups of sliding doors is required, but door movement can be by hand at the door. This system also provides emergency pneumatic unlocking from a remote location. Doors are locked at top and bottom in both the open and closed positions by means of a concealed vertical lock bar at the rear jamb of each door. The vertical lock bar is deadlocked at a third locking point inside the horizontal cover box above the door. Standard clear door opening widths available are 2'4" to 3'2".

#### FUNCTION:

**ELECTRIC** - Individual switches located on a remote control panel actuate a pneumatic cylinder housed in the horizontal cover box over each door, raising the vertical lock bar and unlocking the door. Upon unlocking, the door springs open a few inches. All door movement is by hand at the door, which automatically snap/deadlocks when moved to the fully closed or fully open position. Individual lamp indicators on the control panel show locked/unlocked condition. A single switch can provide group unlocking.

**MECHANICAL** - In the absence of pneumatic or electrical power, doors may be individually unlocked with a manual release tool. Door movement is by hand and door will relock in either fully open or closed position.

**EMERGENCY GANG RELEASE** - In an emergency, all doors in a cell line may be simultaneously unlocked from a remote location using a pneumatic release system. While in emergency release mode, doors will not relock in any position.

## 8010L PNEUMATIC LOCKING SYSTEM



#### TECHNICAL DATA:

- COVER BOX:  
1' 0-3/4" H x 7-1/2" D
- COVER BOX MATERIAL:  
7 gauge steel plate
- HINGED PANEL:  
10 gauge steel
- DOOR ROLLERS:  
3" diameter, machined steel with sealed bearings.
- VERTICAL LOCK BAR DIMENSIONS:  
5/8" SQ by full height of door.
- FINISH: Prime paint
- DOOR HANGER:  
7 gauge steel plate
- ELECTRICAL: 24 VDC  
Minimum five 24 volt conductors are required between the control point and the door, except for those models having the letter "K" (keyswitch) in the suffix. Keyswitch models require minimum six conductors.
- AIR REQUIREMENTS:  
Air consumption 1.9 cubic inches per unlock operation at 80 PSIG.



## FOR GROUPS OF SLIDING CELL DOORS

Maximum security.

## 8010L PNEUMATIC LOCKING SYSTEM

### STANDARD FEATURES:

- Bottom door guide
- Door hanger
- Pneumatic emergency release
- Sloped-front cover box
- Hinged cover panel for maintenance access
- Vertical lock bar assembly
- ASTM F1643 Certified Horizontal and Vertical Impact Test-Grade 1
- Prime paint finish

### OPTIONAL FEATURES:

**PILASTER RELEASE** - (In lieu of pneumatic release system.) Hip-high paracentric keyed mechanical release mounted in a full-height pilaster adjacent to the receiving jamb. Specify "8010LP-1" keyed one side.

**ELECTRIC KEYSWITCH** - Paracentric or mogul keyed local electric control switch mounted below mechanical release mechanism in pilaster.

Specify "8010LPK-1" for paracentric keyed one side.

Specify "8010LPKM-1" for mogul keyed one side.

**HOT DIP GALVANIZED FINISH** - Available for external applications with lift-off cover panel only. Not available with standard hinged cover panel. Specify [G] when ordering. Example: 8010LP-1G

**NO LOCK OPEN** - Specify "NLO." Door does not lock in open position.

**FACTORY-WIRED CONTROL CABLE** - Specify "8010LWC."

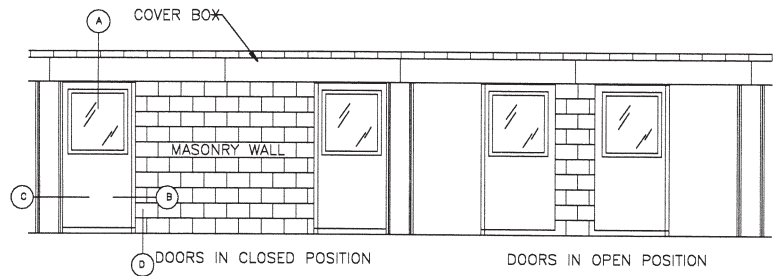
### DOOR SCHEDULE

DOOR HEIGHT	CLEAR OPENING	FRAME OPENING	COVER BOX	DOOR WIDTH
8'-0" MAXIMUM	2'-4"	2'-4"	6'-0"	2'-6 1/2"
	2'-6"	2'-6"	6'-4"	2'-8 1/2"
	2'-8"	2'-8"	6'-8"	2'-10 1/2"
8'-0"	3'-0"	3'-0"	7'-4"	3'-2 1/2"
	3'-2"	3'-2"	7'-8"	3'-4 1/2"

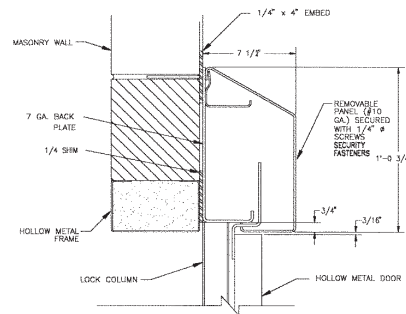
NOTE: Cover box minimum length = (7" overtravel) + (2 x clear opening) + 9".

\*For doors exceeding 300 lbs. and/or greater than 3'-2" clear opening, contact factory.

### 8010L PNEUMATIC SLIDING DOOR SYSTEM

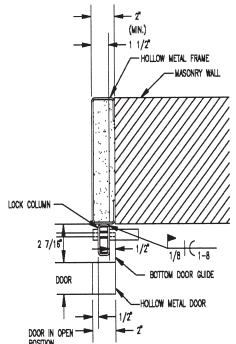


#### DETAIL A - SLOPED BOX

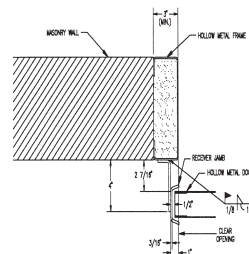


**COVER BOX SECTION**  
7-1/2" deep x 1'-0-3/4" tall cover box field welded 1" on 6" top and bottom

#### DETAIL B - VERTICAL LOCK JAMB BAR

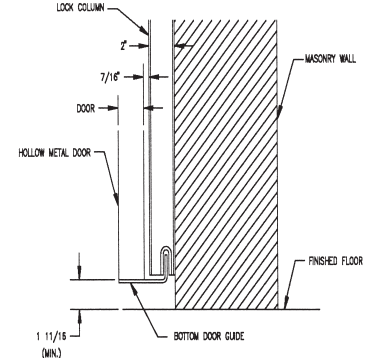


#### DETAIL C - RECEIVER



**RECEIVER JAMB SECTION**  
Flush receiver jamb allows frame opening and clear opening to be the same.

#### DETAIL D - BOTTOM DOOR GUIDE SECTION



### 8010L Shown

Note: Other system configurations and details are available. Call Customer Service for more information.

