



Detention Equipment Company

4634 S. Presa Street  
San Antonio TX 78223-1000  
210-533-1231 Phone • 210-533-2211 Fax

**PRODUCT BULLETIN:** 12-005  
**SUBJECT:** Folger Adam No. 3 Knob Pull Replacement  
**DATE:** July 27, 2012

---

All models of the Folger Adam No. 3 Knob Pull are discontinued.

P/N 300-0100-005 No. 3 Knob Pull with Screws  
P/N 012-5302-006 No. 3 Knob Pull without Fasteners US26D  
P/N 012-5302-002 No. 3 Knob Pull without Fasteners US4

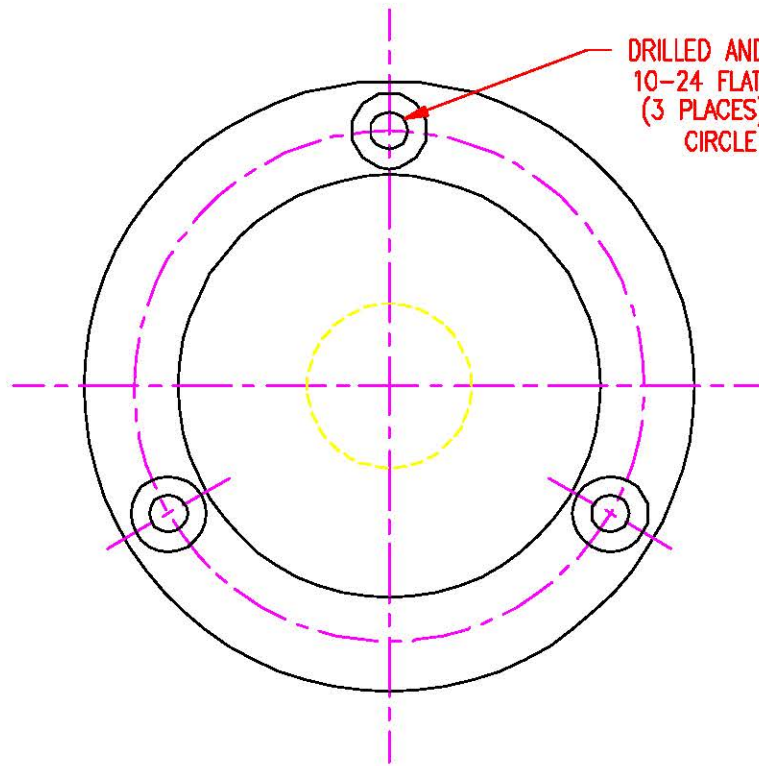
Replacement knob pull is:

P/N 76710513 Southern Folger No. 215C Knob Pull US26D with fasteners

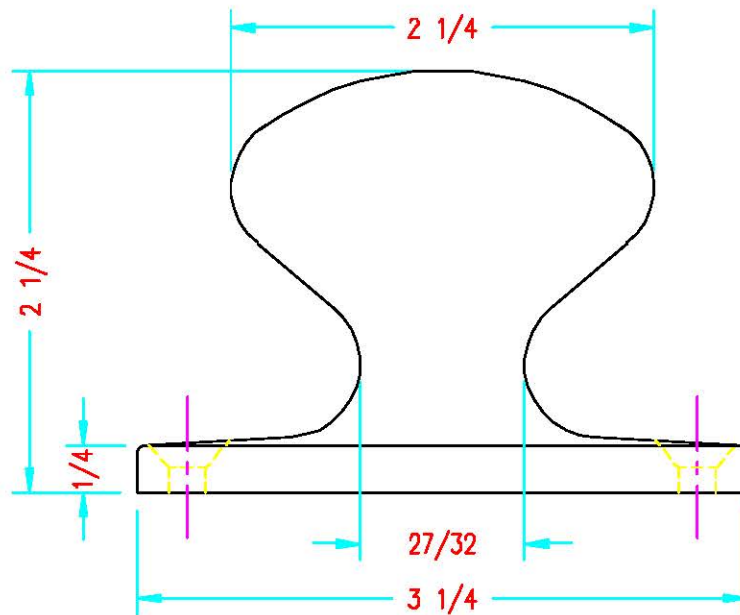
The replacement knob pull matches the mounting hole pattern of the Folger Adam No. 3 pull. The diameter of the 215C pull is .03" larger than the No. 3 pull, but it does not affect the three mounting holes. Attached is a template for the Southern Folger 215C Knob Pull.

Kathee Forrest  
Product Manager  
210-531-2701 [kforrest@southernfolger.com](mailto:kforrest@southernfolger.com)





DRILLED AND COUNTERSUNK FOR  
10-24 FLAT HEAD TORX SCREW  
(3 PLACES) ON A 2-23/32  $\phi$   
CIRCLE AT 120° APART



1. BRASS CASTING.
2. FINISH: US26D.
3. ALL DIMENSIONS ARE IN INCHES.

## 215C KNOB PULL, INACTIVE



4634 S. Presa St.  
San Antonio, TX  
78223

DATE	01-02-96
TEMPLATE NO.	261