

Key: Builders Hardware

Door: Swinging

Security Level: Minimum/Medium

NS400M and 400MC

MOTOR-OPERATED DEADLATCHES

Description

NS400M and NS400MC Series Deadlatches are pin tumbler, motor-operated locks for swinging doors. Specify builders hardware cylinders and keying as follows:

NS402M/MC Keyed one side
NS406M/MC Keyed both sides

Note: See optional features for factory or customer-supplied key cylinders. For Models NS400M and NS400MC, no cylinders are supplied.

Applications

Specify for minimum/medium security swinging cell, corridor or administration areas of institutions, with 2" wide hollow metal jamb construction.

Operations

A remote switch is used to control the lock electrically, or may be operated mechanically by a builders hardware key cylinder. These locks offer the convenience of remote, electric unlocking or locking and automatic deadlocking when the door is closed.

Motor-Actuated Models

Unlock when the motor is energized (1): by a momentary-contact switch. Latchbolt is held mechanically retracted until the door is opened. It then extends automatically (mechanical latchback).

Two-Position Motor Actuated Models

Lock or unlock when the motor is energized (1): by either a two or three-position maintained-contact switch, or by a three-position, momentary-contact switch. When unlocked by control switch, latchbolt remains retracted

by motor position until control switch is set to lock. Latchbolt is held mechanically retracted until the door is opened. It will then extend automatically, if the control switch is set to the lock position (mechanical latchback).

Lock or unlock when the motor is energized (2): by either a two or three-position maintained-contact switch, or a three-position momentary-contact switch. Latchbolt then remains retracted until selected to lock. Opening and closing the door has no effect on the lock (no latchback).

Unlock when the motor is energized (3): by a momentary contact switch. A relock switch energizes the motor to relock once the door is open. On closure, the latchbolt deadlocks automatically (no latchback with relock).

Standards Compliance

- All deadlatch models, UL1034 – Burglary-Resistant Mechanisms.
- All models (except two-position motor actuated), UL10B – Electrically controlled single point locks or latches, three-hour rating, A label.
- ASTM F-1577 Grade 1 Impact

Standard Features

- 300 lb. rated side load motor operation (Models NS400M, NS400MC) – Preclude jamming by applying side pressure on the door.
- Compact size – Designed for hollow metal frames with standard 2" face.
- Two-piece, twelve-pin plug connector – Simplifies wiring, allows pre-wiring of the lock opening.



- Heavy-duty lock mechanism – Designed to complement the high torque motor. Corrosion resistant working parts tested over 1,000,000 cycles.
- Stainless steel strike – Angled lip type, furnished with tamper resistant screws. Requires less force to close and lock the door.
- Mechanical latchback (Models NS400M, NS400MC) – Holds latchbolt retracted until door opens.
- Mechanical unlocking by key – Offers manual control at the door in event of power failure, or at any other time.
- Stainless steel latchbolt – 3/4" throw, hardened to resist sawing.
- Relock switch (Model NS400MC) – Repositions motor to relock when door is opened.
- Finish – Key Cylinder: US32D.

For more information, please call 210.533.1231.



Key: Builders Hardware
Door: Swinging
Security Level: Minimum/Medium

NS400M and 400MC

MOTOR-OPERATED DEADLATCHES

- **Indication switch** – An internal switch to monitor the positions of the deadlock actuator. Signals deadlocked condition.

Optional Features

- **Builders hardware cylinders** – High security six-pin tumbler cylinder may be specified. Special keying requests will be accommodated, if possible.

Note: Customer supplied key cylinders may be used to adapt NS400 Series locks to a specific keying system. These cylinders must have:

- 1-5/32" diameter, full bar stock bodies.
- 1-1/8" length, including cam.
- Standard, removable Yale-type cam.

Cylinders and all keys should be sent to Southern Folger Detention Equipment Company and are required with cylinder extenders.

- **Local electric key (LEK)** – Inmate key operates lock electrically. Staff keys always operate the lock manually and can operate it electrically. Feature is enabled or canceled from a remote control console.
- **Inmate push button** – Allows operation of the lock from inside the room or cell. May be canceled from central control console. A double pole, double throw switch is available for additional functions.
- **Key cylinder extension** – Required when lock is keyed on the stop side of the door frame. Five standard lengths are offered:

Jamb Size	Cylinder Extension
4-1/2" – 5"	4-3/4"
5" – 6"	5-3/4"
6" – 7"	6-3/4"
7" – 8"	7-3/4"
8" – 9"	8-3/4"

NOTE: Please specify appropriate cylinder extension length when ordering. Special lengths may be provided for other jamb thicknesses. Contact factory for pricing and availability.

- **Finish** – Key Cylinder: US26D.

Specifications

- **Lock case** – Investment-cast stainless steel.
- **Latchbolt** – Investment-cast stainless steel hardened.
- **Latchbolt throw** – 3/4"
- **Operating lever** – Stainless steel.
- **Deadbolt lever/trigger bolt** – Investment-cast stainless steel.
- **Strike** – Stainless steel stamping, angled lip.

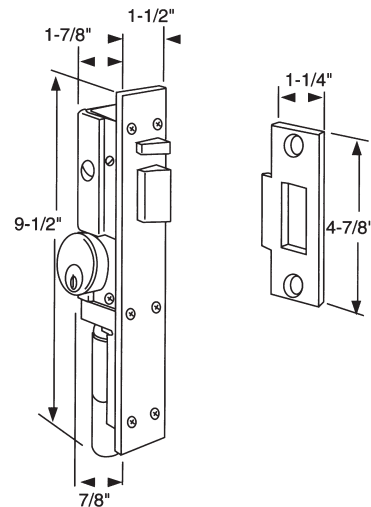
Electrical Characteristics

- **Motor** – High-torque, permanently lubricated, permanent magnet, planetary gearmotor, UL Listed.
- **Voltage** – 24 VDC, operates on 24 VAC via rectifier 0.12 Amps running, 1.29 amps stalled.
- **Indication switch** – SPDT, UL listed.
- **Switch rating** – 5 amp @ 125 or 250 VAC.

Dimensional Data

Note: Dimensions are for information and planning purposes only, and should not be used as templates.

For complete details, see How to Specify in this section.



Feature/Option Chart

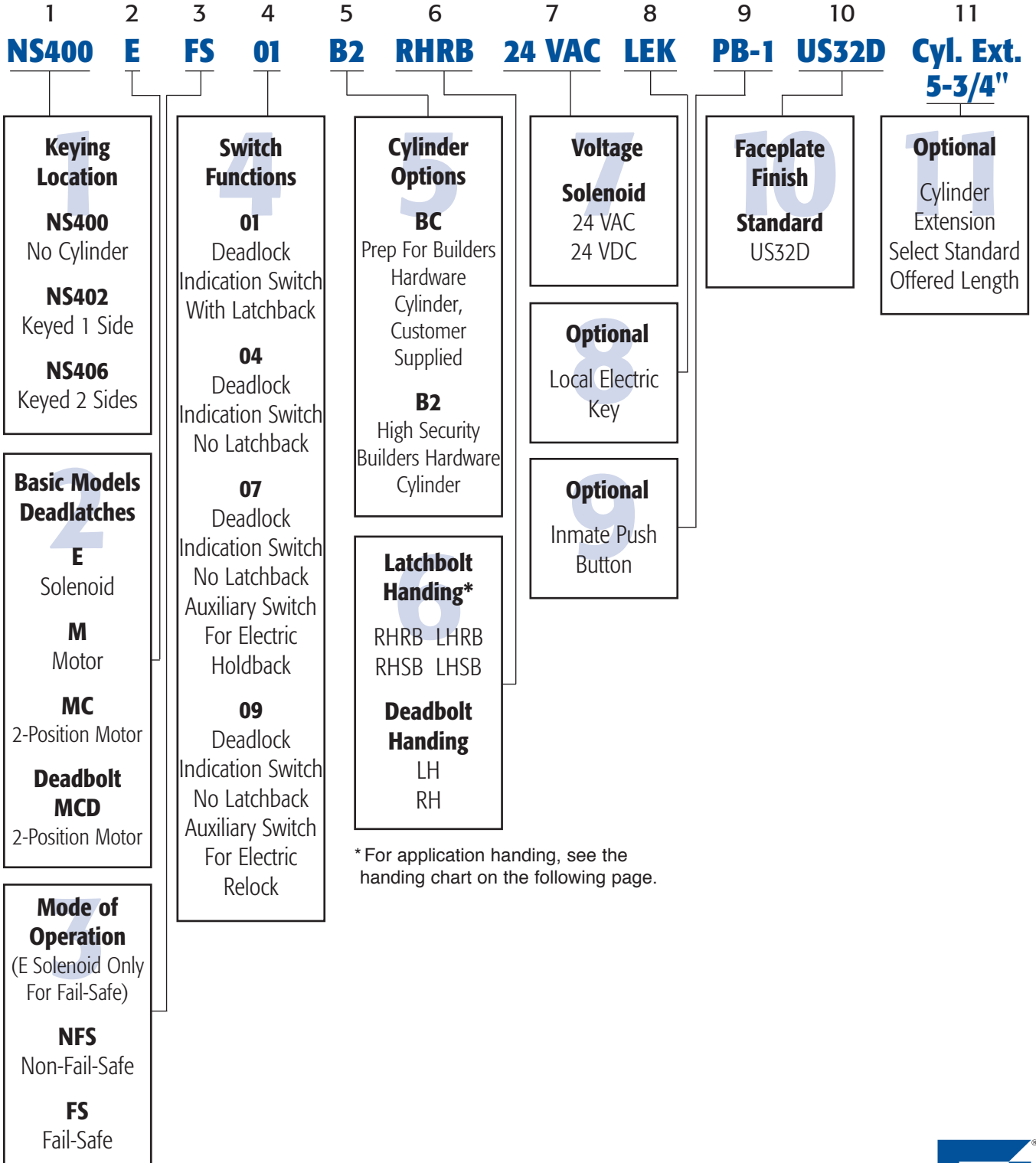
MODEL	OPERATION	INDICATION SWITCH	LATCHBACK		OPERATIONAL SWITCH HOLDBACK	LEK OPTION	CONTINUOUS DUTY MODULATOR
			WITH	WITHOUT			
NS400M-01	1	●	●			Available	No
NS400MC-01	1	●	●			No	No
NS400MC-04	2	●		●		No	No
NS400MC-09	3	●		●	●	Available	No



P.O. Box 2021, San Antonio, TX 78297 ■ Ph: 210.533.1231 ■ Fx: 210.533.2211
 Web: www.SouthernFolger.com ■ Email: info@southernfolger.com



HOW TO SPECIFY NS400 SERIES LOCKS



* For application handing, see the handing chart on the following page.

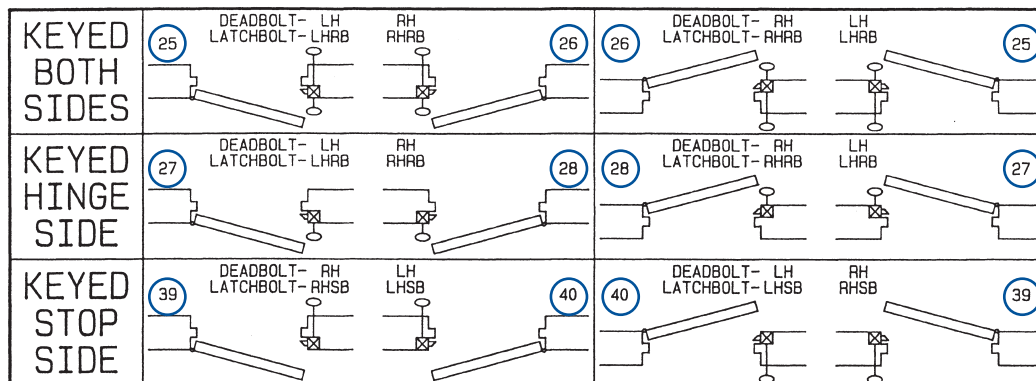
For more information, please call 210.533.1231.





HOW TO SPECIFY NS400 SERIES LOCKS

Specify circled swing number when ordering.



LEGEND

- = INDICATES KEYED SIDE (OR SIDES)
- = HOLLOW METAL JAMB
- = SYMBOLIZES LATCHBOLT
- = SYMBOLIZES LOCK CASE

