

## JAMB MOUNTED FOR SWINGING DOORS

Medium and maximum security.

10120AE-1: KEYED ONE SIDE  
10120AE-2: KEYED BOTH SIDES

### APPLICATION:

Medium and maximum security swinging doors that are to be unlocked from a remote location. Jamb mounted. Door position indicator switch, door closer and heavy duty door pull are recommended.

### FUNCTION:

**ELECTRIC** - Remote switch activates a solenoid which retracts the latchbolt. Latchbolt remains retracted until door is opened approximately 2", then it releases, automatically latches and deadlocks when the door is closed.

**MECHANICAL** - Latchbolt is retracted with a mogul key at the door, and remains retracted until door is opened approximately 2", then it releases and automatically latches and deadlocks when the door is closed.

# 10120AE SOLENOID OPERATED ELECTRO-MECHANICAL DEADLATCH



## JAMB MOUNTED FOR SWINGING DOORS

Medium and maximum security.

## 10120AE SOLENOID OPERATED ELECTRO-MECHANICAL DEADLATCH

### STANDARD FEATURES:

- Deadlock indication switch
- Mechanical latchback
- Strike with security fasteners
- Mogul cylinder (US26D Finish)
- Plug connector
- Continuous duty solenoid
- Fail secure
- Mounting fasteners

### OPTIONAL FEATURES:

**NO LATCHBACK** - Latchbolt remains retracted as long as control switch is activated. Latchbolt extends when power is removed. Specify "NL."

**KNOB FUNCTION** - Bolt retracted by knob on opposite side of mogul cylinder only. Specify "K."

**MECHANICAL KEY HOLDBACK** - Bolt retracted by key, remains retracted until manually projected with key. UL Listing for fire door not available with this function. Specify "MKH."

**LOCAL ELECTRIC KEYSWITCH** - Day key provides local electric operation and may be disabled from remote control point. Master key provides both electric and mechanical operation. Specify "LEK."

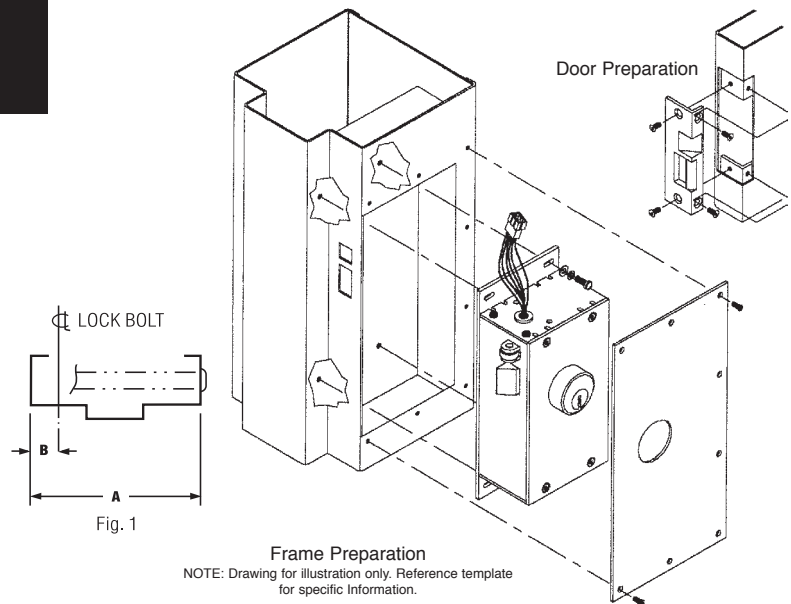
**EMERGENCY EXIT DOOR HOLDBACK** - Deadbolt retracted by solenoid or by key, extended by key only (no snap latch feature). When bolt is extended, lock is dead locked. UL Listing for fire door not available with this function. Specify "EED."

NOTE: Master keying available.

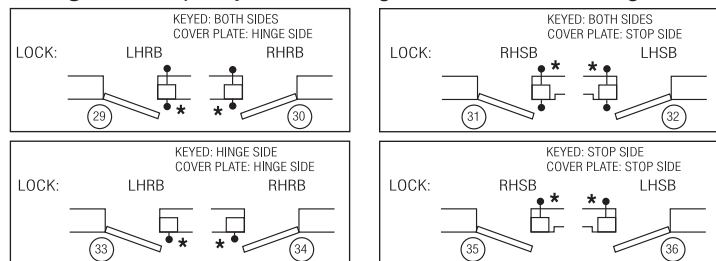
**KEY CYLINDER EXTENDER** - An option in place of providing a recess in the frame when keying on the stop side is required. Available in 3" or 5". 3" extender can be used on openings up to 6" jamb. 5" extender can be used on openings up to 8" jamb. Specify "KCE," then extender size. Other lengths available upon request.

PROVIDE:(See Fig.1)

1. Dimension "A"  
(overall frame width)
2. Dimension "B"  
(edge of frame to centerline of lockbolt)



**Swing Chart:** Specify circled swing number when ordering.



\*Indicates both mounting/access plate side.

### TECHNICAL DATA:

- **STANDARD FINISH:**  
Galvanized
- **COVER:** 10 gauge steel plate
- **CASE:** 10 gauge steel plate
- **STRIKE:** Stainless steel
- **LATCHBOLT:**  
Stainless steel
- **DEADLOCK ACTUATOR:**  
Stainless steel
- **MOGUL CYLINDER:**  
US26D
- **MOGUL KEYS:**  
Nickel Silver
- **PIN TUMBLERS:**  
Combination nickel silver and stainless steel, 6 tumblers per lock
- **ELECTRICAL:** 115 VAC, 1 phase, 60 Hz., 12.0 amp inrush, 0.6 amp seated
- **LOCK SIZE:**  
12" H x 5-7/16" W x 3-1/2"D
- **LOCK WEIGHT:** 19 lbs.
- **LATCHBOLT SIZE:**  
1-1/2" x 3/4"
- **LATCHBOLT THROW:** 1"
- UL Listed for use on three-hour fire doors.
- UL Listed as burglary resistant.
- ASTM F 1577 Certified Impact Test-Grade1

