

FENCE MOUNTED FOR SWINGING/SLIDING GATES

Maximum security.

1050D SOLENOID OPERATED ELECTRO-MECHANICAL GATE LOCK

1050D-1: KEYED ONE SIDE
1050D-2: KEYED BOTH SIDES

APPLICATION:

For swinging and sliding gates. Standard mounting is for chain link fencing, but may be modified for other types of gates.

FUNCTION:

ELECTRIC - Remote switch activates a solenoid which raises an internal bolt, enabling the gate to be opened. Remains unlocked until gate is closed, then automatically deadlocks.

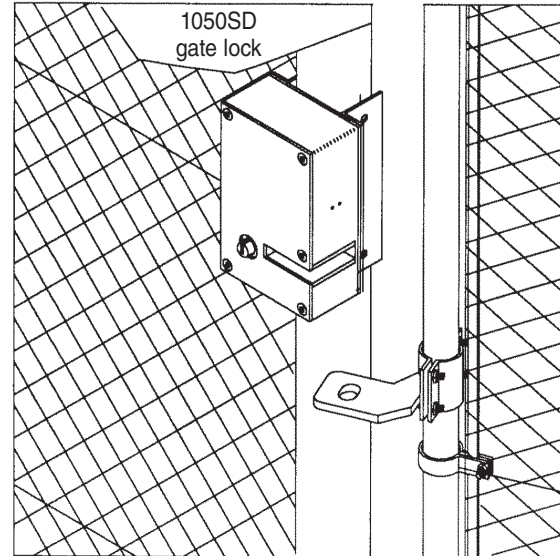
MECHANICAL - Bolt may be manually retracted by paracentric key, and remains retracted until key is returned to the locked position.



FENCE MOUNTED FOR SWINGING/SLIDING GATES

Maximum security.

1050D SOLENOID OPERATED ELECTRO-MECHANICAL GATE LOCK



STANDARD FEATURES:

- Deadlock indication switch
- Mechanical latchback
- Six-tumbler lock
- Continuous duty solenoid
- Mounting hardware for 4" O.D. fence posts and 2" O.D. gate frame

NOTE:

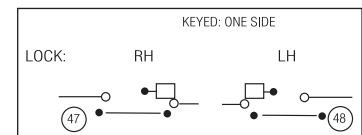
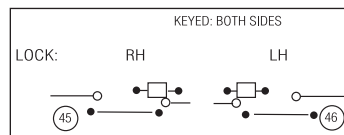
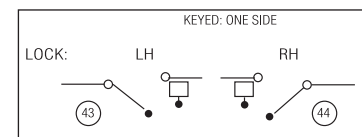
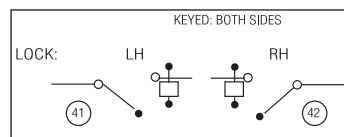
Specify:

1050SD for swinging gate

Specify:

1050RD for sliding gate

Swing Chart: Specify circled swing number when ordering.



TECHNICAL DATA:

- STANDARD FINISH: Galvanized
 - COVER: 3/16" steel plate
 - CASE: 1/8" steel plate
 - LOCKING LUG: Cold-rolled, steel
 - DEADBOLT: Stainless steel
 - PARACENTRIC CYLINDER: Silicon bronze/copper alloy
 - TUMBLERS: Spring tempered brass. Tumblers actuated by phosphor bronze springs, six
- tumblers per lock
- LOCK SIZE: 11"H x 7"W x 3-13/16"D
 - LOCK WEIGHT: 38 lbs.
 - DEADBOLT SIZE: 5/8" diameter
 - DEADBOLT THROW: 1"
 - ELECTRICAL: 115 VAC, 1 phase, 60 Hz., 12 amp inrush current, 0.6 amp seated current

