



Detention Equipment Company

4634 S. Presa Street  
San Antonio TX 78223-1000  
210-533-1231 Phone • 210-533-2211 Fax

**PRODUCT BULLETIN:** 12-019  
**SUBJECT:** Folger Adam 800 Gate Locks – Locking Tongues  
**DATE:** November 26, 2012

---

**When ordering Folger Adam 800 ES Gate Locks for swinging gates-** Mounting is designed for use with fence posts of 2” to 8-5/8” outside diameter and gate posts of 1” to 4-1/4” outside diameter.

800ES Locking Tongue P/N	800ES Mounting Position	Post Outside Diameter
074-1011-001	Position I	2 to 4”
074-1011-002	Position II	Over 4” to 6-5/8”
074-1011-003	Position III	over 6-5/8” to 8-5/8”

**For Folger Adam 800 ER Gate Locks for sliding gates,** one size locking tongue is provided for use with fence posts of 2” to 8-5/8” outside diameter and gate posts of 1” to 4-1/4” outside diameter.

800ER Locking Tongue P/N	800ER Mounting Position	Post Outside Diameter
074-1503-001	Positions I, II and III	2 to 8-5/8”

Any post outside these guidelines requires custom engineering at an additional cost.

SOUTHERN FOLGER DETENTION EQUIPMENT COMPANY  
Kathee Forrest  
Product Manager  
210-531-2701  
[kforrest@southernfolger.com](mailto:kforrest@southernfolger.com)

Attachments:  
Catalog pages A33-34, Rev 11/12



**Key:** Prison Paracentric  
**Door:** Swinging/Sliding Fence Gate  
**Security Level:** Maximum

# 800 GATE LOCKS

## Description

Series 800 Deadlatches are lever tumbler, solenoid operated locks for swinging or sliding chain-link fence gates. Specify keying as follows:

**For Swinging Gates:**

802ES-L Keyed cover side

806ES-L Keyed both sides

**For Sliding Gates:**

802ER-L Keyed cover side

806ER-L Keyed both sides

## Applications

For use on sliding or swinging chain-link fence gates. Provide automatic deadlocking with flexibility of remote unlocking.

## Operation

This lock is electrically operated for unlocking. The deadbolt retracts when solenoid is energized. Once retracted, deadbolt is held electrically retracted until gate is closed. Deadbolt extends automatically in case of power failure. Emergency mechanical operation by paracentric key.

## Testing

The 800 Series Electric Gate locks have been electrically tested for over 1,000,000 operating cycles.

## Standard Features

- **Solenoid actuated** – 120 VAC, 60hz, continuous-duty type.
- **Unlocking by prison paracentric key** in case of power failure or for local control. When unlocked by key, deadbolt remains retracted until relocked by key.



802ES  
Left hand shown.



802ER  
Left hand shown.

- **Deadlocks automatically** – When gate is closed.
- **Adjustable mounting and locking tongue** – Fits fence posts between 2" and 8-5/8" diameter; gate posts between 1" and 4-1/4" diameter. See "How to Order" page A34.
- **Push-in type terminal strip** – For easy field wiring.
- **Case and cover** – 7-gauge steel
- **Corrosion resistant working parts**
- **Stainless steel deadbolt** – 3/4" diameter
- **Hardened-steel deadlock lever**
- **Tumbler options** – Choice of five or six tumbler models. Six tumbler model offers greater pick resistance. Tumblers are made of spring-temper brass and activated by heavy, phosphor-bronze springs.
- **One-piece key cylinder** – Investment-cast, bronze alloy with paracentric keyway. (Paracentric, lever tumbler keys must be purchased separately.)
- **Tamper resistant screws for attaching cover.**
- **Finish** – Zinc plated.
- **Mounting hardware** – Supplied with mounting brackets, locking tongue and mounting screws.
- **Indication switch** – A lock status switch monitors the deadbolt and its deadlocked condition.

For more information, please call 210.533.1231.



**Key:** Prison Paracentric  
**Door:** Swinging/Sliding Fence Gate  
**Security Level:** Maximum

# 800 GATE LOCKS

## Optional Features

- Solenoid voltage – 220VAC, 60hz.
- Auxiliary indication switch – Specify “ES-LL” or “ER-LL”.

Note: When gate is open, the switch actuator for the locking tongue can be manually depressed, giving a false indication that the gate is locked. This can be eliminated by installing a gate position indication switch and wiring it in series with the indication switch in the lock. A “secure” signal can then be produced only after three conditions have been met:

1. Locking tongue switch actuator is depressed;
2. Deadbolt is extended and deadlocked, and
3. Gate is closed.

Note: Electrical interlocking of gates requires special wiring and/or adaptations for control consoles.

### How to Order

1. Indicate swing number below.
2. Indicate voltage required.
3. For ES model only, specify outside post dia. for locking tongue requirements.

## Specifications

- Case and cover – 7 gauge steel.
- Finish – Zinc plated.
- Working parts – Zinc plated steel.
- Springs – Stainless Steel.
- Deadbolt size – 3/4" diameter.

## Electrical Characteristics

- Actuator – Continuous-duty solenoid.
- Voltage – 120VAC, 60HZ, 13 amps inrush, .75 amps seated. 220VAC, 60HZ, 6.5 amps inrush, 0.3 amps seated.
- Indication switch(es) – SPDT, UL listed.
- Ratings – 15 amps @ 125 or 250 VAC.

**Specify circled swing number when ordering.**

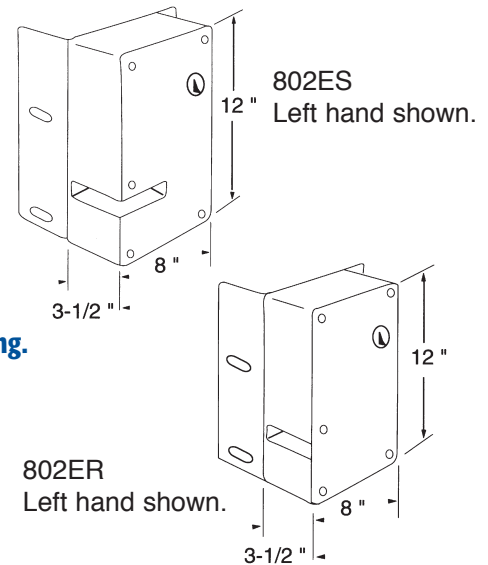
## How to Specify

### Dimensional Data

1. Model Number
2. Handing
3. Tumbler (example 802ES-6)
4. Any optional features desired (example 802ES x LH)

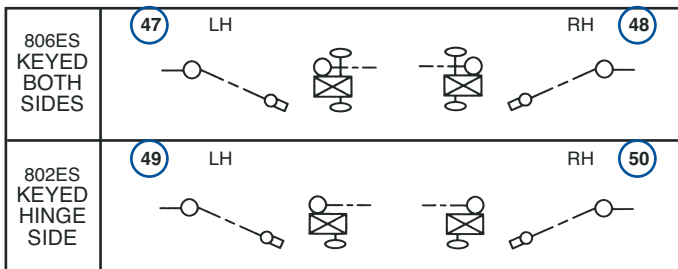
## Dimensional Data

Note: Dimensions are for information and planning purposes only, and should not be used as templates.

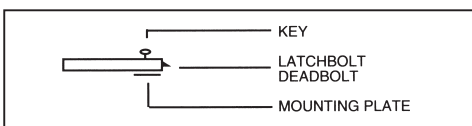


## 800ES Fence Gate Locks

COVER PLATE HINGE SIDE

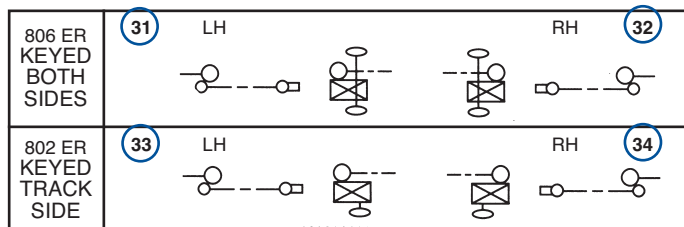


### LEGEND



## 800ER Fence Gate Locks

LOCK COVER PLATE TRACK SIDE



P.O. Box 2021, San Antonio, TX 78297 ■ Ph: 210.533.1231 ■ Fx: 210.533.2211  
 Web: [www.SouthernFolger.com](http://www.SouthernFolger.com) ■ Email: [info@southernfolger.com](mailto:info@southernfolger.com)