

DOOR MOUNTED FOR SMALL SWINGING DOORS

Medium security.

1017AM SNAPLATCH

1017AM-1: KEYED ONE SIDE

APPLICATION:

For food passes, observation shutters and other small swinging doors where snaplatching is desired.

FUNCTION:

Key activated unlatching.
Snaplatches upon closing.



DOOR MOUNTED FOR SMALL SWINGING DOORS

Medium security.

1017AM SNAPLATCH

STANDARD FEATURES:

- Automatic snaplatch
- Six pin tumblers
- Mounting fasteners
- Finish US26D

OPTIONAL FEATURES:

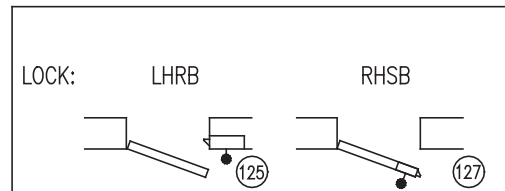
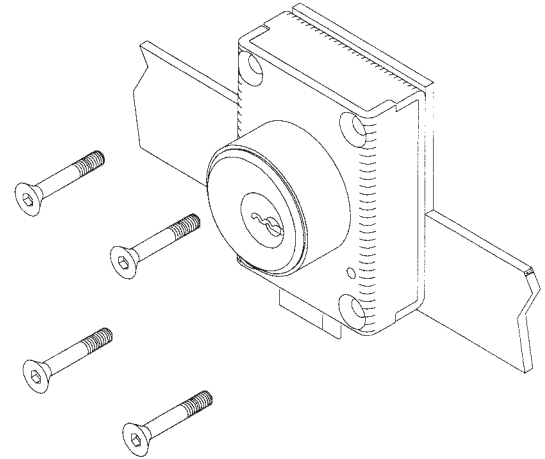
EXTENDED BOLT - Used for hollow metal door mounting. Specify "1 inch".

NOTE: Master keying available.

HOW TO ORDER:

Specify:

1. Quantity
2. Key code instructions
3. 5/8" or 1" bolt extension



TECHNICAL DATA:

- **STANDARD FINISH:**
Galvanized
Nickel Silver
- **COVER:** Steel
- **CASE:** Steel
- **LATCHBOLT:** Stainless steel
- **MOGUL CYLINDER:** US26D
- **PIN TUMBLERS & ENGAGING BALLS:** Combination nickel silver and stainless steel, 6 tumblers per lock.
- **MOGUL KEYS:**
- **LOCK CASE SIZE:** 4.4" L x 3.15" H x 1.35" TK
- **LOCK WEIGHT:** 5 lbs.
- **LATCHBOLT SIZE:** 1-1/2" H x 3/4" TK
- **LATCHBOLT:** 5/8" extended 1/2" travel

