

DOOR MOUNTED FOR SMALL SWINGING DOORS

Medium security.

1017A SNAPLATCH

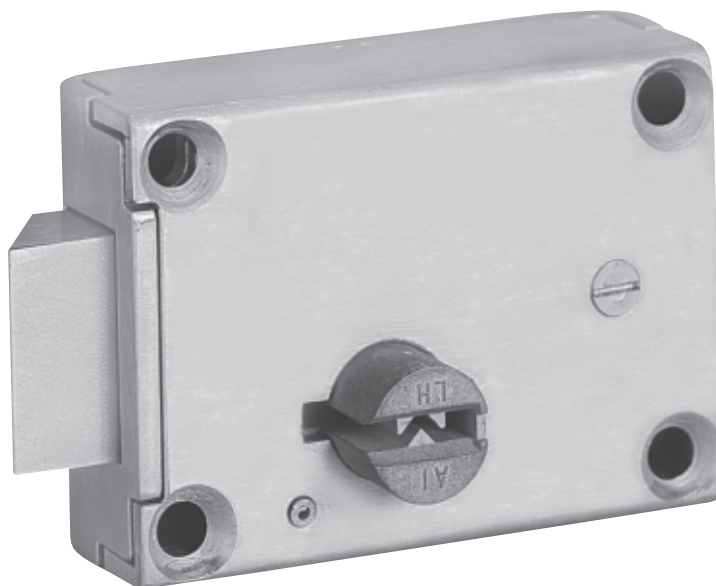
1017A-1: KEYED ONE SIDE

APPLICATION:

For food passes, observation shutters and other small swinging doors where snaplatching is desired.

FUNCTION:

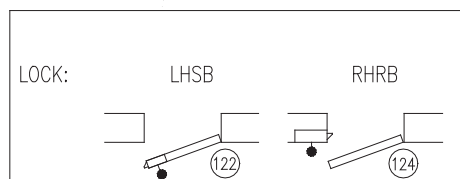
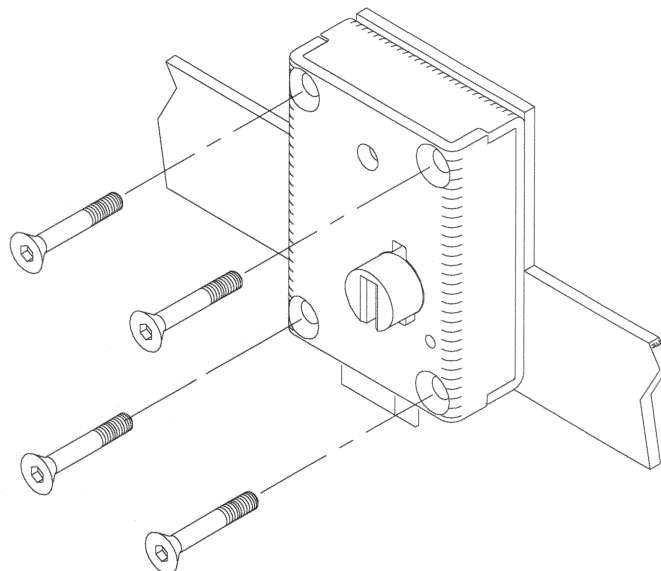
Key activated unlatching.
Snaplatches upon closing.



DOOR MOUNTED FOR SMALL SWINGING DOORS

Medium security.

1017A SNAPLATCH



STANDARD FEATURES:

- Automatic snaplatch
- Six heavy-duty tumblers
- Mounting fasteners

OPTIONAL FEATURES:

EXTENDED BOLT - Used for hollow metal door mounting. Specify "1 inch".

THUMBTURN - Retracts latchbolt without key. Specify "1017AT".

HOW TO ORDER:

Specify:

1. Quantity
2. Key code instructions

TECHNICAL DATA:

- **STANDARD FINISH:**
Galvanized
- **COVER:** Steel
- **CASE:** Steel
- **LATCHBOLT:** Steel
- **PARACENTRIC CYLINDER:**
Silicon bronze/
copper alloy
- **TUMBLERS:** Spring tempered brass. Tumblers actuated by phosphor bronze springs, six tumblers per lock
- **LOCK SIZE:**
4.4" L x 3.15" H x 1.35" TK
- **LOCK WEIGHT:** 3 lbs.
- **LATCHBOLT SIZE:**
1-1/2" H x 3/4" TK
- **LATCHBOLT:**
5/8" extended
1/2" travel

