

# JAMB MOUNTED FOR SWINGING DOORS

Minimum and medium security.

10300MD-NL-GIC-1: KEYED ONE SIDE  
10300MD-NL-GIC-2: KEYED BOTH SIDES

## APPLICATION:

Minimum and medium security swinging doors that are to be unlocked from a remote location. Jamb mounted. Door position indicator switch, door closer and heavy duty door pull are recommended.

## FUNCTION:

**HALF CYCLE HOLDBACK** - Remote two-position maintained contact switch is required for this function. Latchbolt is retracted electrically when switch is in open position. When remote switch is returned to locked position, latchbolt will extend when door is opened approximately 2". Specify "D". UL listing not available with this function.

**NO LATCHBACK** - Allows latchbolt to extend without opening door. Normally used with "D" function. Specify "NL".

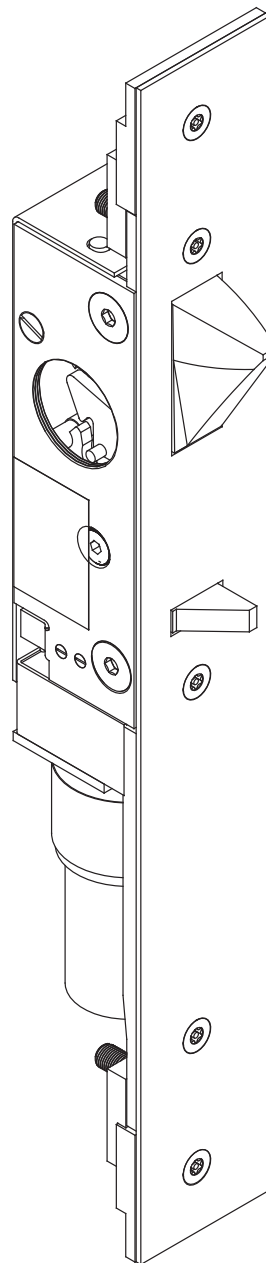
**MECHANICAL** - Latchbolt is retracted with a builder's hardware key at the door, and remains retracted until key is returned, then it releases and automatically latches and deadlocks when the door is closed.

## STANDARD FEATURES:

- Deadlock indication switch
- Strike with security fasteners
- Faceplate with security fasteners
- Plug connector
- High torque motor
- Overcurrent and overtemperature circuit protector. The protector requires no manual resetting or replacement.
- Fail secure
- Mounting fasteners

— continued on back

# 10300MD-NL-GIC ADTEC 2104 RETROFIT MOTOR OPERATED ELECTRO-MECHANICAL DEADLATCH



REPRESENTANTE EXCLUSIVO EN MÉXICO Y USA



Geotex

International Corporation

5909 West Loop South, Suite 310, Bellaire, Texas 77401 USA  
Tel 281.300.3023 • Fax 713.583.6235

OFICINA DE REPRESENTACION: Rio Nilo No. 71, Mexico, D.F. 06500  
Tel 55.5511.7041 • Fax 55.5208.2859  
geotexic.com • info@geotexic.com



## JAMB MOUNTED FOR SWINGING DOORS

Minimum and medium security.

— continued from other side

- Does not require modification to electronic (PLC) system to control doors
- Wire harness compatible to Adtec 2104 for easy connect/disconnect

Note #1: 1-11/16" O.D. x 1/8" wall cold drawn tubes furnished by hollow metal manufacturer.

### OPTIONAL FEATURES:

**LOCAL ELECTRIC KEYSWITCH -**  
Day key provides local electric operation and may be disabled from remote control point. Master key provides both electric and mechanical operation. Requires dual-function enhancement to builder's cylinder. Specify "LEK."

**BUILDER'S HARDWARE CYLINDERS -**  
Specify:

- "10300MD-NL-GIC-1" keyed one side.
- "10300MD-NL-GIC-2" keyed both sides.

**KEY CYLINDER EXTENDER -**  
Required whenever lock is keyed on stop side. Overall frame depth 4" minimum. Specify "KCE."

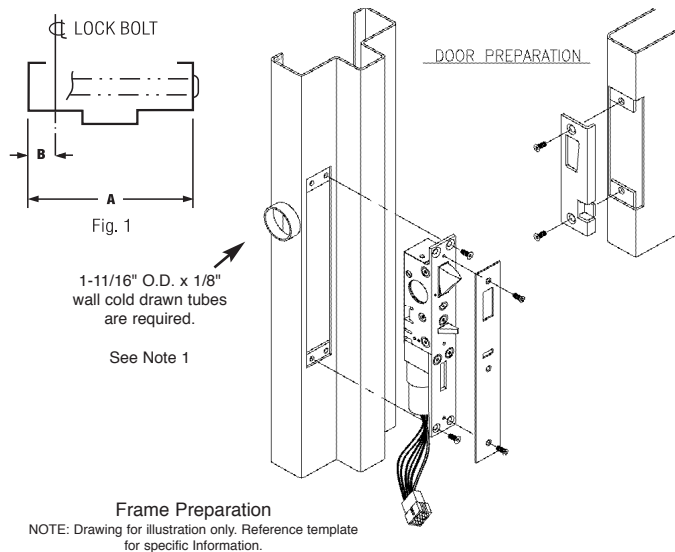
Full body rim cylinder required on stop side.

Full body mortise cylinder required on hinge side.

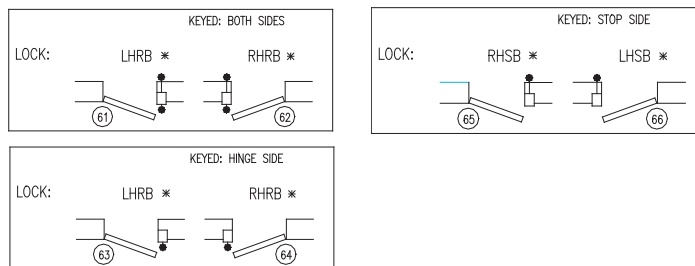
PROVIDE: (See Fig. 1)

1. Dimension "A" (overall frame width)
2. Dimension "B" (edge of frame to centerline of lockbolt)

## 10300MD-NL-GIC ADTEC 2104 RETROFIT MOTOR OPERATED ELECTRO-MECHANICAL DEADLATCH



**Swing Chart:** Specify circled swing number when ordering.



### TECHNICAL DATA:

- STANDARD FINISH: US32D
- LOCK BODY: Stainless steel
- FACE PLATE: Stainless steel
- LATCHBOLT: Stainless steel with (1) 1/4" diameter case-hardened steel insert pin
- DEADLOCK ACTUATOR: Stainless steel
- ELECTRICAL: 24 VDC  
1.5 amp maximum
- RETROFIT MOUNTING SIZE: 13-5/8" H x 1-3/4" W x 2-13/16" D
- LOCK SIZE: 10-5/8" H x 1-1/2" W x 1-3/4" D
- LOCK WEIGHT: 3.6 lbs.
- LATCHBOLT SIZE: 1-5/8" H x 5/8" TK
- LATCHBOLT THROW: 3/4"
- BUILDER'S CYLINDER: U.S. Patent 5,640,865  
1-5/32" diameter with standard Yale cam or equal
- ASTM F 1577 Certified Impact Test-Grade 1 Sideload 550 lbs
- Tested to over 1 million operations.

REPRESENTANTE EXCLUSIVO EN MÉXICO Y USA



Geotex  
International Corporation

5909 West Loop South, Suite 310, Bellaire, Texas 77401 USA  
Tel 281.300.3023 • Fax 713.583.6235

OFICINA DE REPRESENTACION: Rio Nilo No. 71, Mexico, D.F. 06500  
Tel 55.5511.7041 • Fax 55.5208.2859  
geotex.com • info@geotex.com

