

JAMB MOUNTED FOR SLIDING DOORS

Maximum security.

1058M-1: KEYED ONE SIDE
1058M-2: KEYED BOTH SIDES

APPLICATION:

For sliding doors where electric unlocking from a remote station is required. Lock is jamb mounted. A hook-type lock bolt engages a keeper in hollow metal door. Sliding door normally requires a Model 1300 Track Set with internal door position indication switch. Heavy-duty door pulls are recommended.

FUNCTION:

ELECTRIC - Remote switch activates a motor which raises the hookbolt. Spring-loaded, deadlock actuator pin then pushes the door open approximately 1" to 3". The door automatically latches and deadlocks upon closing.

MECHANICAL - Hookbolt is raised by paracentric key at the door. Automatic deadlatch feature is suspended until key is returned to the locked position.

1058M MOTOR OPERATED ELECTRO-MECHANICAL DEADLATCH



JAMB MOUNTED FOR SLIDING DOORS

Maximum security.

1058M MOTOR OPERATED ELECTRO-MECHANICAL DEADLATCH

STANDARD FEATURES:

- Deadlock indicator switch
- Mechanical latchback by key
- Six-tumbler lock
- Plug connector
- Fail secure
- Mounting fasteners
- High torque motor

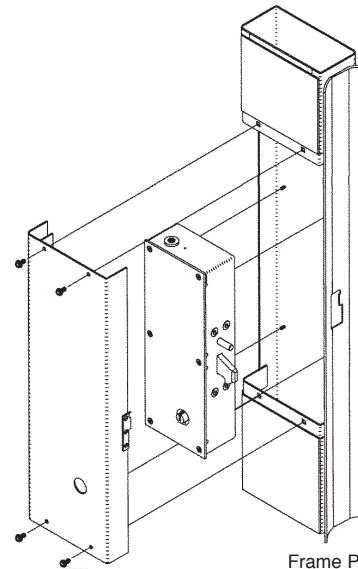
OPTIONAL FEATURES:

HALF CYCLE HOLDBACK - Remote two position maintained contact switch is required for this function. Hookbolt is raised electrically when switch is in open position and lowered when switch is in locked position. Specify "D."

24VDC MOTOR - Specify "24VDC"

STRIKE WITH SECURITY FASTENERS IS OPTIONAL.

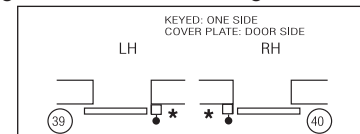
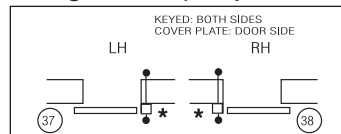
Note: Elongated paracentric key is required for use with a 1300 track set.



Frame Preparation

NOTE: Drawing for illustration only. Reference template for specific information.

Swing Chart: Specify circled swing number when ordering.



* Indicates lock mounting/access plate side.

TECHNICAL DATA:

- STANDARD FINISH: Galvanized
- COVER: 3/16" steel plate
- CASE: 3/16" steel plate
- STRIKE: (Hollow metal door only) Stainless steel
- HOOKBOLT: Cold-rolled, case-hardened steel
- DEADLOCK ACTUATOR PIN: Cold-rolled, case-hardened steel
- TUMBLERS: Spring tempered brass. Tumblers actuated by phosphor bronze springs, six tumblers per lock.
- ELECTRICAL: 115 VAC, 1 phase, 60 Hz., .3 amp running
- LOCK SIZE: 17-13/16" H x 6-11/16" W x 3-1/2" D
- PARACENTRIC CYLINDER: Silicon bronze/copper alloy
- LOCK WEIGHT: 58 lbs.
- HOOKBOLT SIZE: 2" x 1/2"
- LATCHBOLT ENGAGEMENT: 2-1/8"

