

FOR GROUPS OF SLIDING CELL DOORS

Maximum security.

3150LX.b ELECTRIC LOCKING SYSTEMS

3150LX.b ELECTRIC LOCKING SYSTEM

The 3150LX.b system offers complete selective electric operation of sliding doors in a line or group from a remote control station. Doors are operated by electric motors through a rack and pinion drive mechanism over each door. This system also provides emergency mechanical unlocking from a control cabinet at the head of the door line. Doors are locked at top and bottom in both the open and closed positions by means of a concealed vertical lock bar at the rear jamb of each door. The vertical lock bar is deadlocked at a third locking point inside the horizontal cover box above the door. Standard clear door opening widths are from 2'4" to 3'2".

FUNCTION:

ELECTRIC - A remote switch activates a motor which raises a vertical lock bar and propels the door open or closed. Individual lamp indicators on the control panel show locked/unlocked condition. A single switch can provide group unlocking.

MECHANICAL - In the absence of electrical power, doors may be individually unlocked with a manual release tool. Door movement is by hand and door will relock in either fully open or closed position.

EMERGENCY GANG RELEASE - In an emergency, all doors in a cell line may be simultaneously unlocked from a mechanical release cabinet at the end of the cell line. While in emergency release mode, doors will not relock in any position.



TECHNICAL DATA:

- COVER BOX:
1' 0 - 3/4" H x 7-1/2" D
- COVER BOX MATERIAL:
7 gauge steel plate
- HINGED PANEL:
10 gauge steel
- DOOR ROLLERS:
3" diameter, machined steel with sealed bearings
- VERTICAL LOCK BAR
- DIMENSIONS:
5/8" SQ by full height of door
- FINISH: Prime paint
- DOOR HANGER:
7 gauge steel plate
- ELECTRICAL:
Motor: 1/20 HP, 115 VAC, 60 Hz., single phase power
Inrush: .8A
Running: .72A
Locked Rotor Current: 1.2A
- WIRE REQUIREMENTS:
When electric operation of the door is from a remote station, a minimum of five conductors (minimum 14 gauge) are required between the control point and the door, except for those models having the letter "K" (keyswitch) in the suffix. Keyswitch models require minimum six conductors.

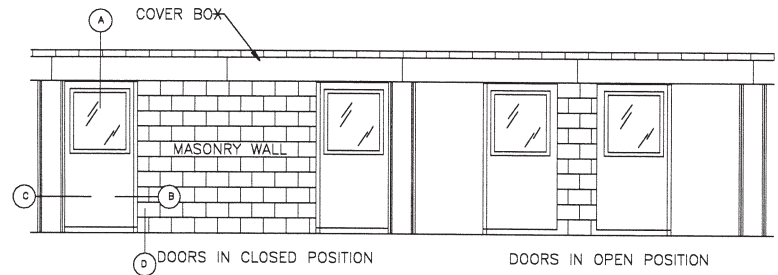


FOR GROUPS OF SLIDING CELL DOORS

Maximum security.

3150LX.b ELECTRIC LOCKING SYSTEM

3150LX.b SLIDING DOOR SYSTEM



STANDARD FEATURES:

- Bottom door guide
- Door hanger
- Mechanical release cabinet
- Sloped-front cover box
- Hinged cover panel for maintenance access
- Vertical lock bar assembly
- ASTM F1643 Certified
- Horizontal and Vertical Impact Test-Grade 1
- Prime paint finish

OPTIONAL FEATURES:

PILASTER RELEASE – (In lieu of mechanical release cabinet.) Hip-high paracentric keyed mechanical release mounted in a full-height pilaster adjacent to the receiving jamb. Specify “3150LX.bP-1” keyed one side.

ELECTRIC KEYSWITCH – Paracentric or mogul keyed local electric control switch mounted below mechanical release mechanism in pilaster. Specify “3150LX.bPK-1” for paracentric keyed one side. Specify “3150LX.bPKM-1” for mogul keyed one side.

HOT DIP GALVANIZED FINISH - Available for external applications with lift-off cover panel only. Not available with standard hinged cover panel. Specify “G” when ordering. Example: 3150LX.b P-1G

REMOTE PANEL LOCK SYSTEM - Remote panel option is available with lift-off cover panel only. Not available with standard hinged cover panel. Specify “RP” when ordering. Example: 3150LX.bRP
FACTORY WIRED CONTROL CABLE
 Specify “3150LX.bWC.”

DOOR SCHEDULE

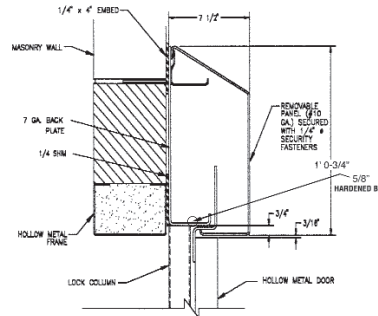
DOOR HEIGHT	CLEAR OPENING	FRAME OPENING	COVER BOX	DOOR WIDTH
8'-0" MAXIMUM	2'-4"	2'-4"	6'-0"	2'-6 1/2"
	2'-6"	2'-6"	6'-4"	2'-8 1/2"
	2'-8"	2'-8"	6'-8"	2'-10 1/2"
8'-0"	3'-0"	3'-0"	7'-4"	3'-2 1/2"
	3'-2"	3'-2"	7'-8"	3'-4 1/2"

NOTE: Cover box minimum length = (7" overtravel) + (2 x clear opening) + 9".

For doors exceeding 300 lbs. and/or greater than 3'-2" clear opening, contact factory.

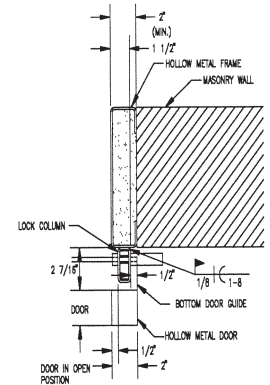
THREE HOUR FIRE DOOR RATING AVAILABLE. Standard cover box calculation does not apply to fire rated door.

DETAIL A – SLOPED BOX

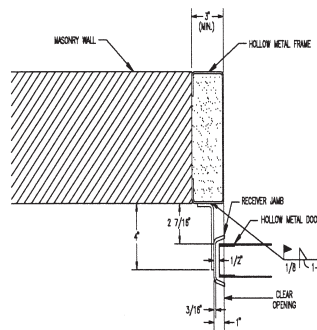


COVER BOX SECTION
 7-1/2" deep x 1'-3/4" tall cover box field welded 1" on 8" top and bottom.

DETAIL B – VERTICAL LOCK JAMB BAR

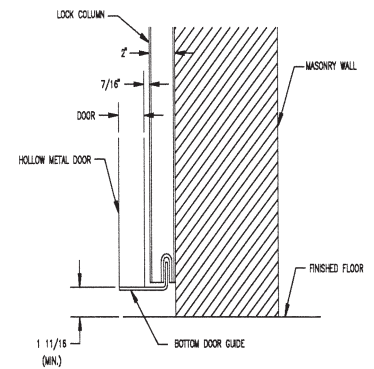


DETAIL C – RECEIVER



RECEIVER JAMB SECTION
 Flush receiver jamb allows frame opening and clear opening to be the same.

DETAIL D – BOTTOM DOOR GUIDE SECTION



3150LX.b Shown

Note: Other system configurations and details are available. Call Customer Service for more information.

