

Key: Prison Paracentric
Door: Swinging
Security Level: Maximum

51E DEADLATCH

Description

Series 51E Deadlatches are lever tumbler, solenoid-operated locks for swinging doors. Specify keying as follows:

- 52E Five tumbler model, keyed cover side
- 52E-6 Six tumbler model, keyed cover side
- 56E Five tumbler model, keyed both sides
- 56E-6 Six tumbler model, keyed both sides

Applications

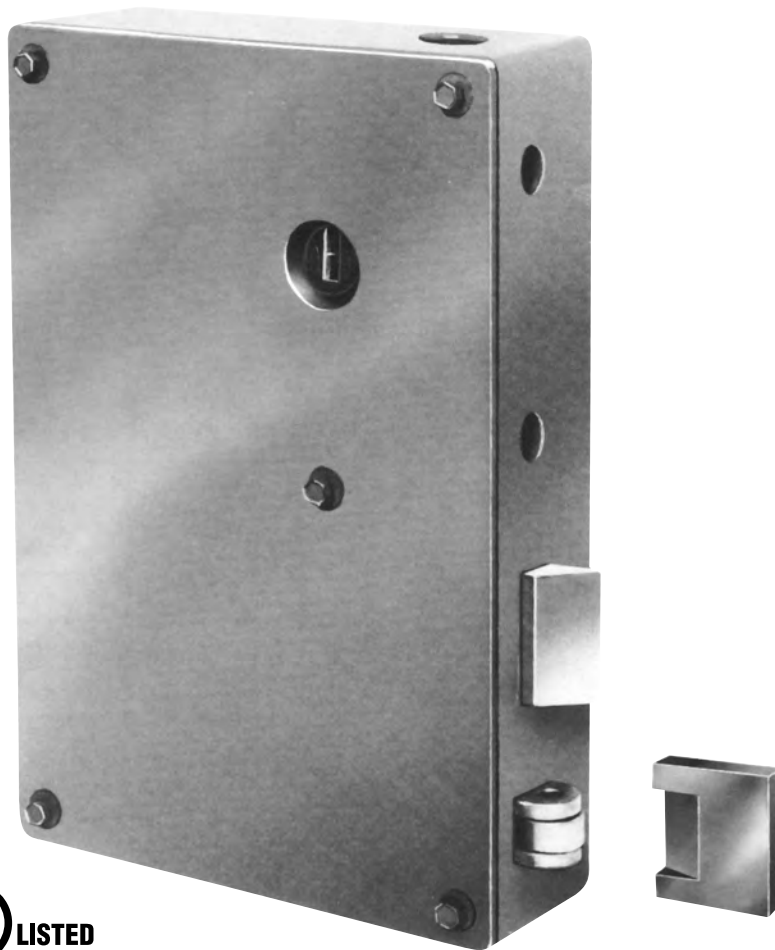
51E Deadlatches are designed for door jamb installation and provide maximum security for heavily used cell, corridor or entrance doors. They provide the convenience of slam-locking with remote, electrical unlocking.

Operations

Standard (1): When connected to a momentary-contact switch, the latchbolt retracts when the solenoid is energized. Once retracted, the latchbolt is held mechanically retracted until the door is opened. The latchbolt extends when the door is open.

Standard (1a): When connected to a maintained-contact switch, the latchbolt retracts when the solenoid is energized. Once retracted, it is held electrically retracted for an extended period of time. The latchbolt extends only when the solenoid is de-energized.

No-notch (2): Latchbolt extends when the switch is selected to lock.



Standards Compliance

All 51E Series models are UL Listed as Burglary-Resistant Mechanisms and Fire Door Accessories to a three-hour rating.
 ASTM F-1577 Grade 1 – Impact

Standard Features

- Solenoid voltage – 120VAC
- Two piece plug connector – Simplifies wiring.
- Instant solenoid operation – Dependable, continuous-duty solenoid.
- Automatic deadlocking – When the latchbolt is extended, it automatically deadlocks on closure.
- Full 3/4" bolt throw – Projects 1/4" when retracted.
- Mechanical unlocking by key – For use during power failure, or any time the lock unlocks by use of prison paracentric key. Latchbolt remains retracted until relocked by key.

For more information, please call 210.533.1231.



Key: Prison Paracentric
Door: Swinging
Security Level: Maximum

51E DEADLATCH

- **Indication switch** – A lock status indication switch which monitors the extension of the latch bolt and the deadlocked condition is included.
- **Rugged construction** – Case and cover are 7 gauge steel.
- **Tumbler Options** – Choice of five or six tumbler models. Six tumbler model offers greater pick resistance.
- **Solid steel latchbolt** – Latchbolt is zinc plated steel; concealed pins resist sawing.
- **Deadlock actuator** – Roller type, zinc plated steel, adjustable for variations in door-to-jamb clearance.
- **Finish** – Zinc plated.

Optional Features

- **Solenoid voltage** – 220VAC
- **No-notch feature** – The holdback lever has no notch to hold the latchbolt mechanically retracted. The latchbolt extends in the locked position regardless of the position of the door.
- **Interlocking** – Accomplished through the control console.

Specifications

- **Case and cover** – 7 gauge steel.
- **Latchbolt** – Solid steel with hardened steel roller pins.
- **Deadlock actuator** – Zinc plated steel, roller type.
- **Lever tumblers** – spring temper brass, activated by heavy phosphor bronze springs.
- **Key cylinder** – One piece, bronze alloy with paracentric keyway.
- **Bolt size** – 2" x 3/4"
- **Bolt throw** – 3/4"

Electrical Characteristics

- **Solenoid** – Continuous-duty type.
- **Ratings** – 120VAC, 60HZ, 13 amps inrush, .75 amps seated 220VAC, 60Hz, 6.5 amps inrush, .38 amps seated.
- **Indication switch** – SPDT, UL Listed.
- **Rating** – 15 amps at 125 or 250 VAC.

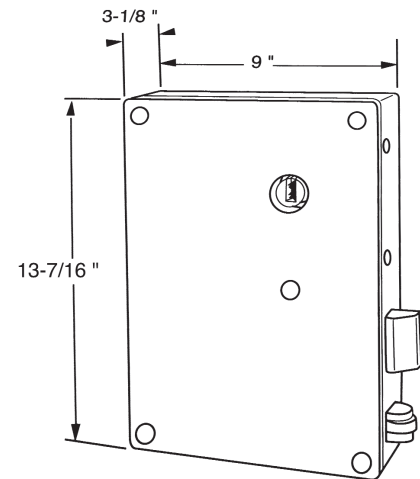
How to Specify

OPERATION	KEYING	WITH IND. SWITCH
Standard (1)	one side	52EL
	two sides	56EL
No-notch (2)	one side	52ELNN
	two sides	56ELNN

NOTE: The above are standard 5-tumbler models. To specify 6-tumbler units, add -6 after the basic model number. Example: 56E-6-L.

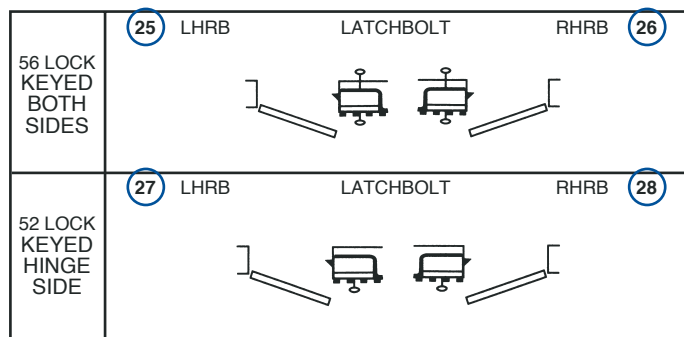
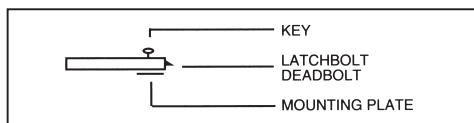
Dimensional Data

Note: Dimensions are for information and planning purposes only, and should not be used as templates.



Specify circled swing number when ordering.

LEGEND



P.O. Box 2021, San Antonio, TX 78297 ■ Ph: 210.533.1231 ■ Fx: 210.533.2211
 Web: www.SouthernFolger.com ■ Email: info@southernfolger.com