

Key: Prison Paracentric
Door: Swinging
Security Level: Maximum

51P DEADLATCH

Description

Series 51P Deadlatches are lever-tumbler, pneumatically-operated locks for swinging doors. Specify keying as follows:

- 52P Five-tumbler lock, keyed cover side.
- 52P-6 Six-tumbler lock, keyed cover side.
- 56P Five-tumbler lock, keyed both sides.
- 56P-6 Six-tumbler lock, keyed both sides.

Applications

51P Deadlatches are designed for jamb-mounted installation, and provide maximum security for heavily-used cell, corridor, or entrance doors. They provide the convenience of slam-locking with remote unlocking.

Operation

Standard (1): When connected to a momentary-contact switch, the latchbolt retracts when the pneumatic solenoid is energized. Once retracted, the latchbolt is held mechanically retracted until the door is opened. The latchbolt extends when the door is open.

Standard (1a): When connected to a maintained-contact switch, the latchbolt retracts when the pneumatic solenoid is energized. Once retracted, it is held electrically retracted for an extended period of time. The latchbolt extends only when the door is open and the solenoid is de-energized.

No-notch (2): Latchbolt extends when the switch is selected to lock. (No-notch feature, see description on page B10.)

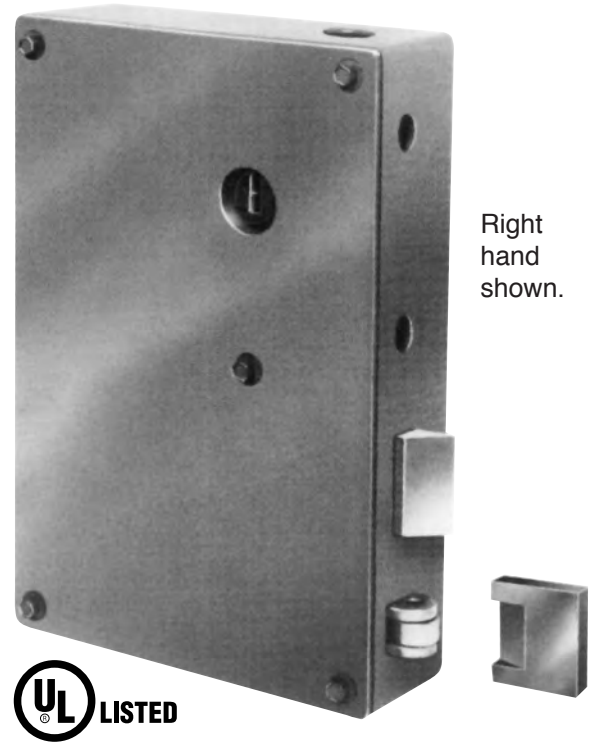
Standards Compliance

All 51P Series Models are UL1034 listed as Burglary-Resistant Mechanisms.

ASTM F-1577
Grade 1 – Impact.

Standard Features

- **Pneumatic solenoid voltage** – 24VDC.
- **Two-piece plug connector** – Simplifies wiring.
- **External air coupler** – Allows air system connection to lock without removing covers.
- **Instant solenoid operation** – Dependable, continuous-duty pneumatic solenoid.
- **Automatic deadlocking** – When the latchbolt is extended, it automatically deadlocks on closure.
- **Full 3/4" bolt throw** – Projects 1/4" when retracted.
- **Mechanical unlocking by key** – During power failure, or any time the lock unlocks by use of prison paracentric key. Latchbolt remains retracted until relocked by key.
- **High security** – 6-tumbler model offers greater pick resistance.



- **Indication switch** – A lock status indication switch which monitors the extension of the latch bolt and the deadlocked condition is included.
- **Rugged construction** – Case and cover are 7 gauge steel.
- **Solid steel latchbolt** – Latchbolt is zinc plated steel, concealed pins resist sawing.
- **Deadlock actuator** – Roller-type, zinc plated steel, adjustable for variations in door-to-jamb clearance.
- **Finish** – Zinc plated.

For more information, please call 210.533.1231.



Key: Prison Paracentric
Door: Swinging
Security Level: Maximum

51P DEADLATCH

Optional Features

- **Bolt projection** – Standard 1/4" when retracted 3/4" bolt throw. Consult factory for other projections.
- **No-notch feature** – The holdback lever has no notch to hold the latchbolt mechanically retracted. The latchbolt extends in the locked position regardless of the position of the door.
- **Interlocking** – Accomplished through the control console.
- **Manual air release system** – Allows for the manual release of doors or groups of doors from a remote location. Latchbolt remains retracted until system is manually reset. Specify MARS.

Specifications

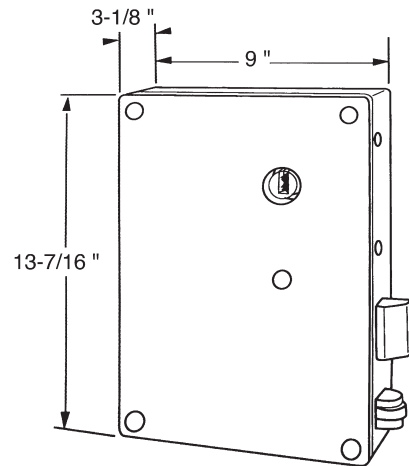
- **Case and cover** – 7 gauge steel.
- **Latchbolt** – Solid steel, with hardened steel roller pins.
- **Deadlock actuator** – Zinc plated steel, roller-type.
- **Lever tumblers** – spring-temper brass, activated by heavy phosphor-bronze springs.
- **Key cylinder** – One-piece, bronze alloy with paracentric keyway.
- **Bolt size** – 2" x 3/4".
- **Bolt throw** – 3/4"

Electrical Characteristics

- **Pneumatic solenoid voltage** – 24VDC with 5.4 watts power consumption; 2.4 watts on MARS option.
- **Indication switch** – SPDT, UL Listed.

Dimensional Data

Note: Dimensions are for information and planning purposes only and should not be used as templates.



How to Specify

OPERATION	KEYING	WITH INDICATION SWITCH	MARS
Standard (1)	One Side	52PL	Available
	Two Sides	56PL	Available
No-Notch (2)	One Side	52PLNN	Available
	Two Sides	56PLNN	Available

NOTE: The above are standard 5-tumbler models. To specify 6-tumbler units, add 6 after the basic model number. Example: 52P-6-LL.



P.O. Box 2021, San Antonio, TX 78297 ■ Ph: 210.533.1231 ■ Fx: 210.533.2211
 Web: www.SouthernFolger.com ■ Email: info@southernfolger.com