

Key: Prison Paracentric
Door: Swinging/Sliding Fence Gate
Security Level: Maximum

800 GATE LOCKS

Description

Series 800 Deadlatches are lever tumbler, solenoid operated locks for swinging or sliding chain-link fence gates. Specify keying as follows:

For Swinging Gates:

802ES-L Keyed cover side

806ES-L Keyed both sides

For Sliding Gates:

802ER-L Keyed cover side

806ER-L Keyed both sides

Applications

For use on sliding or swinging chain-link fence gates. Provide automatic deadlocking with flexibility of remote unlocking.

Operation

This lock is electrically operated for unlocking. The deadbolt retracts when solenoid is energized. Once retracted, deadbolt is held electrically retracted until gate is closed. Deadbolt extends automatically in case of power failure. Emergency mechanical operation by paracentric key.

Testing

The 800 Series Electric Gate locks have been electrically tested for over 1,000,000 operating cycles.

Standard Features

- **Solenoid actuated** – 120 VAC, 60hz, continuous-duty type.
- **Unlocking by prison paracentric key** in case of power failure or for local control. When unlocked by key, deadbolt remains retracted until relocked by key.



802ES
Left hand shown.



802ER
Left hand shown.

- **Deadlocks automatically** – When gate is closed.
- **Adjustable mounting and locking tongue** – Fits fence posts between 2-3/8" and 8-5/8" diameter; gate posts between 1-5/16" and 4-1/2" diameter.
- **Push-in type terminal strip** – For easy field wiring.
- **Case and cover** – 7-gauge steel
- **Corrosion resistant working parts**
- **Stainless steel deadbolt** – 3/4" diameter
- **Hardened-steel deadlock lever**
- **Tumbler options** – Choice of five or six tumbler models. Six tumbler model offers greater pick resistance. Tumblers are made of spring-temper brass and activated by heavy, phosphor-bronze springs.
- **One-piece key cylinder** – Investment-cast, bronze alloy with paracentric keyway. (Paracentric, lever tumbler keys must be purchased separately.)
- **Tamper resistant screws for attaching cover.**
- **Finish** – Zinc plated.
- **Mounting hardware** – Supplied with mounting brackets, locking tongue and mounting screws.
- **Indication switch** – A lock status switch monitors the deadbolt and its deadlocked condition.

For more information, please call 210.533.1231.



Key: Prison Paracentric
Door: Swinging/Sliding Fence Gate
Security Level: Maximum

800 GATE LOCKS

Optional Features

- Solenoid voltage – 220VAC, 60hz.
- Auxiliary indication switch – Specify “ES-LL” or “ER-LL”.

Note: When gate is open, the switch actuator for the locking tongue can be manually depressed, giving a false indication that the gate is locked. This can be eliminated by installing a gate position indication switch and wiring it in series with the indication switch in the lock. A “secure” signal can then be produced only after three conditions have been met:

1. Locking tongue switch actuator is depressed;
2. Deadbolt is extended and deadlocked, and
3. Gate is closed.

Note: Electrical interlocking of gates requires special wiring and/or adaptations for control consoles.

Specifications

- Case and cover – 7 gauge steel.
- Finish – Zinc plated.
- Working parts – Zinc plated steel.
- Springs – Stainless Steel.
- Deadbolt size – 3/4" diameter.

Electrical Characteristics

- Actuator – Continuous-duty solenoid.
- Voltage – 120VAC, 60HZ, 13 amps inrush, .75 amps seated. 220VAC, 60HZ, 6.5 amps inrush, 0.3 amps seated.
- Indication switch(es) – SPDT, UL listed.
- Ratings – 15 amps @ 125 or 250 VAC.

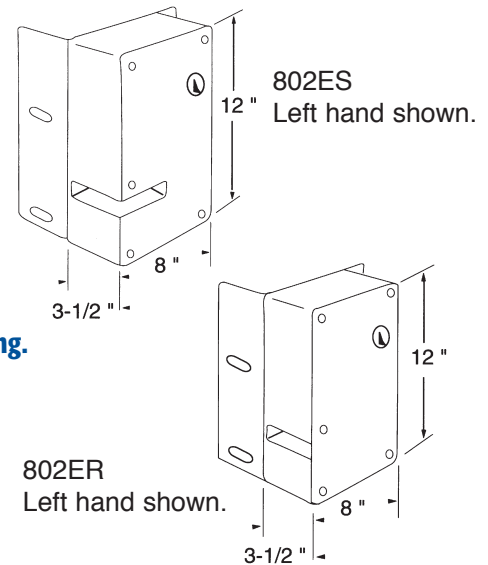
How to Specify

Dimensional Data

1. Model Number
2. Handing
3. Tumbler (example 802ES-6)
4. Any optional features desired (example 802ES x LH)

Dimensional Data

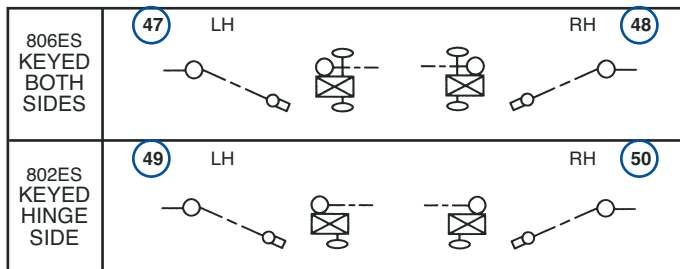
Note: Dimensions are for information and planning purposes only, and should not be used as templates.



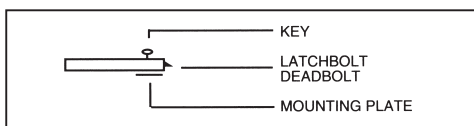
Specify circled swing number when ordering.

800ES Fence Gate Locks

COVER PLATE HINGE SIDE

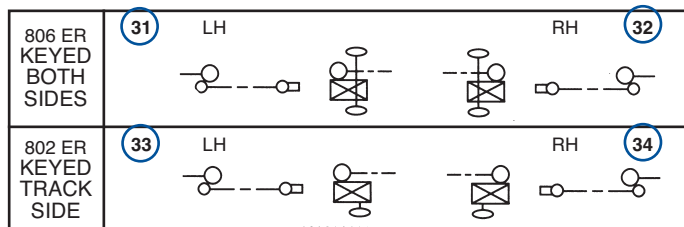


LEGEND



800ER Fence Gate Locks

LOCK COVER PLATE TRACK SIDE



P.O. Box 2021, San Antonio, TX 78297 ■ Ph: 210.533.1231 ■ Fx: 210.533.2211
 Web: www.SouthernFolger.com ■ Email: info@southernfolger.com