

Key: Builders Hardware

Door: Swinging

Security

Level: Minimum/Medium

NS400MCD

MOTOR-OPERATED DEADBOLTS

Description

NS400MCD is a pin tumbler, two-position motor-operated deadbolt for swinging doors. Specify builders hardware cylinders and keying as follows:

NS402MCD Keyed one side
NS406MCD Keyed both sides

Note: See optional features for either factory or customer-supplied key cylinders. Model NS400MCD, no cylinder supplied.

Applications

Specify for minimum/medium security swinging cell or office areas of institutions requiring deadbolt locks for use in 2" wide hollow metal jamb construction.

Operations

Locks or unlocks when motor is energized by either a two or three-position maintained contact switch. Once unlocked, the deadbolt remains retracted until selected to lock. Opening and closing the door have no effect on the lock. Non-fail-safe only. Holdback switch prevents the deadbolt from extending while the door is open. Deadbolt is deadlocked upon closure of the door.

Standards Compliance

- **UL1034** – Burglary-Resistant Mechanisms.
- **ASTM F-1577** Grade 1 Impact

Standard Features

- **300 lb. rated side load motor operation** – Precludes jamming by applying side pressure on the door.

- **Heavy-duty lock mechanism** – Designed to complement the high torque motor. Corrosion-resistant working parts tested over 1,000,000 cycles.
- **Compact size** – Specifically for hollow metal frames with standard 2" face.
- **Two-piece, twelve-pin plug connector** – Simplifies wiring, allows pre-wiring of the lock opening.
- **Stainless steel strike** – Furnished with tamper-resistant screws.
- **Holdback switch** – Does not allow deadbolt to extend while door is open.
- **Mechanical unlocking by key** – Offers manual control at the door in event of power failure, or at any other time.
- **Stainless steel deadbolt** – 3/4" throw, hardened to resist sawing.
- **Faceplate finish** – US32D satin stainless steel.
- **Indication switch** – An internal switch to monitor the positions of the deadlock actuator. Signals deadlocked condition.

Optional Features

- **Builders hardware key cylinders** – High security six-pin tumbler cylinder may be specified. Special keying requests will be accommodated, if possible.

Note: Customer supplied key cylinders may be used to adapt NS400 Series locks to a specific keying system. These cylinders must have:

1. 1-5/32" diameter, full bar stock bodies.
2. 1-1/8" length, including cam.

3. Standard, removable Yale-type cam. Cylinders and all keys should be sent to Southern Folger Detention Equipment Company and are required with cylinder extenders.



- **Key cylinder extension** – Required when lock is keyed on the stop side of the door frame. Five standard lengths are offered:

Jamb Size	Cylinder Extension
4-1/2" – 5"	4-3/4"
5" – 6"	5-3/4"
6" – 7"	6-3/4"
7" – 8"	7-3/4"
8" – 9"	8-3/4"

Note: Please specify appropriate cylinder extension length when ordering. Special lengths may be provided for other jamb thickness. Contact factory for pricing and availability.

- **Finish** – Key cylinder: US26D.

For more information, please call 210.533.1231.



Key: Builders Hardware
Door: Swinging
Security Level: Minimum/Medium

NS400MCD

MOTOR-OPERATED DEADBOLTS

Specifications

- **Lock case** – Investment-cast stainless steel.
- **Deadbolt** – Investment-cast stainless steel hardened.
- **Deadbolt throw** – 3/4"
- **Deadlock lever/operating lever** – Stainless steel.
- **Strike** – Stainless steel stamping.

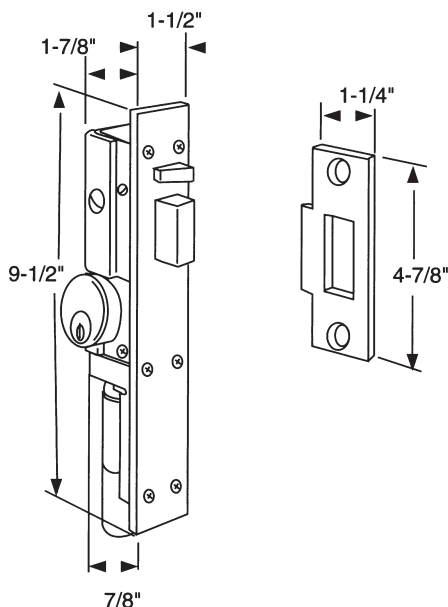
Electrical Characteristics

- **Motor** – High-torque, permanently lubricated, permanent magnet, planetary gearmotor, UL Listed.
- **Voltage** – 24VDC or 24VAC 0.12 running, 1.29 amps stalled.
- **Indication switch** – SPDT, UL listed.
- **Switch rating** – 5 amp @ 125 or 250 VAC.

Dimensional Data

Note: Dimensions are for information and planning purposes only, and should not be used as templates.

For complete details, see How to Specify in this section.



Feature/Option Chart

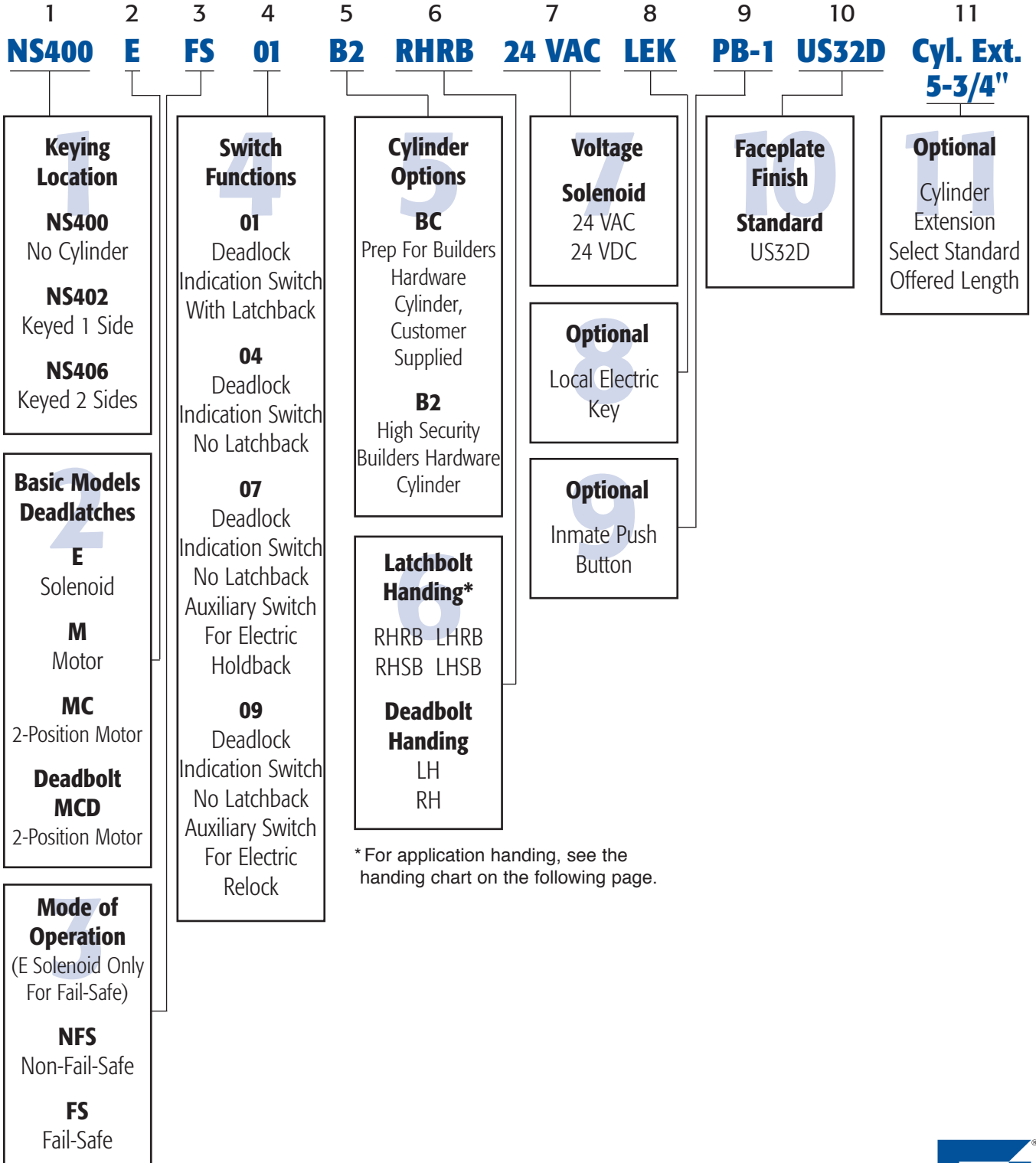
MODEL	OPERATION	INDICATION SWITCH	LATCHBACK WITHOUT	LEK OPTION	CONTINUOUS DUTY MODULATOR
NS400MCD-04-01	Standard	•	•	No	No



P.O. Box 2021, San Antonio, TX 78297 ■ Ph: 210.533.1231 ■ Fx: 210.533.2211
 Web: www.SouthernFolger.com ■ Email: info@southernfolger.com



HOW TO SPECIFY NS400 SERIES LOCKS



* For application handing, see the handing chart on the following page.

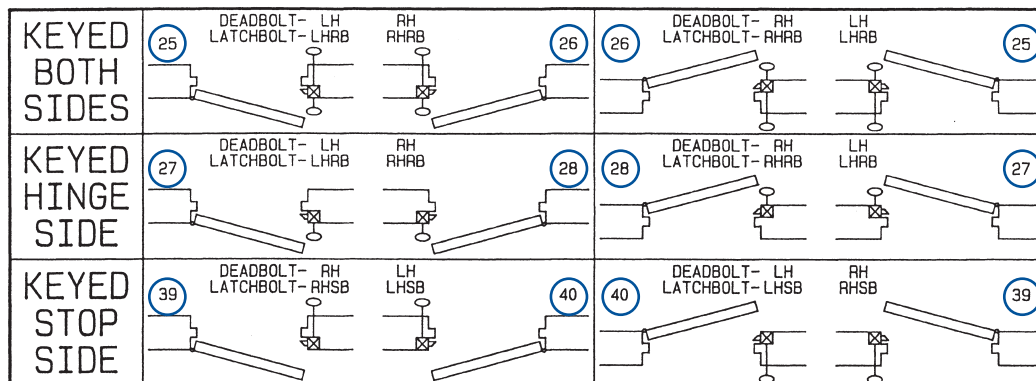
For more information, please call 210.533.1231.





HOW TO SPECIFY NS400 SERIES LOCKS

Specify circled swing number when ordering.



LEGEND

- = INDICATES KEYED SIDE (OR SIDES)
- = HOLLOW METAL JAMB
- = SYMBOLIZES LATCHBOLT
- = SYMBOLIZES LOCK CASE

