



**1070A Combination Spring
and Deadlock / 1070AK.a
Combination Spring and Deadlock**



Mechanical Locks



For More information please call 210-533-1231

Mechanical Locks

1070A Combination Spring and Deadlock

1070AK.a Combination Spring and Deadlock



1070A-1: KEYED ONE SIDE
1070A-2: KEYED BOTH SIDES



1070AK.a-1: KEYED ONE SIDE
1070AK.a-2: KEYED BOTH SIDES

STANDARD FEATURES

- Mechanical deadlock
- Six heavy-duty tumblers
- Mounting fasteners
- 470C Bolt Keeper with dust box

OPTIONAL FEATURES

HOLLOW METAL MOUNTING - Used for hollow metal door application. Specify "HM."

GRATING DOOR MOUNTING - Used for grating door application. Specify "G."

1070A APPLICATION

For high security swinging doors where slamlocking is desired.

FUNCTION

Key activated unlocking. Automatically snaplocks and deadlocks upon closing. Latchbolt unlocks with a half turn of the key.

1070AK.a APPLICATION

For high security swinging doors where slamlocking is desired along with the convenience of knob operation in areas where manual deadlocking with a key is desired.

FUNCTION

Automatically snaplocks and deadlocks upon closing. Knobs unlock with a 1/2 turn of the key. Quarter turn of the key in the opposite direction deadlocks the knobs. Knob will retract the latchbolt in both directions, except when deadlocked. One side or two knob operation.

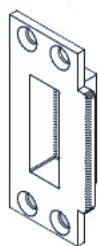
OPTIONAL FEATURES

PLATE DOOR MOUNTING - Used for steel plate door application. Specify "P." 470CL Bolt Keeper with switch

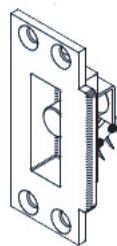
GRATING DOOR MOUNTING - Used for grating door application. Specify "G."

PLATE DOOR MOUNTING- Used for steel plate door application. Specify P.
470CL Bolt Keeper with switch

BOLT KEEPERS



4C



4CL

How to Order
Specify:

1. Quantity
2. Swing Chart Number (handing)
3. Application (HM, G, P)
4. Code Instruction
5. Bolt keeper requirements

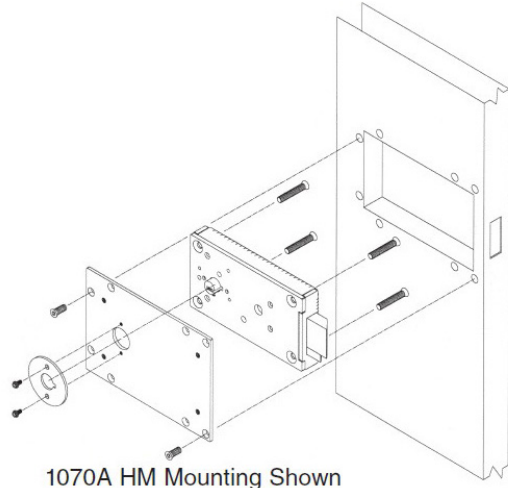
For More information please call 210-533-1231



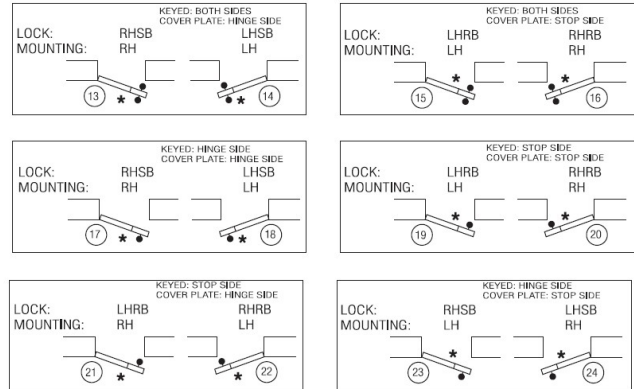
Mechanical Locks

1070A Combination Spring and Deadlock

1070AK.a Combination Spring and Deadlock



1070A HM Mounting Shown



* Indicates lock mounting/access plate side.

Swing Chart: Specify circled swing number when ordering.

TECHNICAL DATA

Standard Finish	Galvanized
Cover	Steel
Case	Steel
Deadlock Actuator	Stainless Steel. Size: 3/4" x 1/2"
Paracentric Cylinder	Silicon bronze/ copper alloy
Tumblers	Spring tempered brass. Tumblers actuated by phosphor bronze springs, 6 tumblers per lock.
Lock Size	9" L x 5" H x 1-1/2" TK
Lock Weight	11 lbs
Latchbolt	Stainless steel with (2) 1/4" diameter case hardened steel insert pins. Size: 2" H x 3/4" TK
Lockbolt Throw	3/4"

UL Listed for use on three hour fire doors.
ASTM F1577 Certified Impact Test-Grade 1



For More information please call 210-533-1231