

# Southern Folger

Detention Equipment Company

4634 S. Presa St., San Antonio, TX 78223  
210-533-1231 Phone \* 210-533-2211 Fax  
[www.SouthernFolger.com](http://www.SouthernFolger.com)

See who we are. See all we do.



S O U T H E R N S T E E L

## PRODUCT CATALOG

Detention Equipment by  
**SOUTHERN  
STEEL**  
SINCE 1897

# TABLE OF CONTENTS

## RECOMMENDED PRODUCT APPLICATION GUIDES ..... A

Electro-Mechanical/Pneumatic Locks .....	A1
Mechanical Locks .....	A2
Sliding Door Devices .....	A3

## ELECTRIC LOCKS AND LOCKING SYSTEMS ..... B

1050D Solenoid Operated Electro-Mechanical Gate Lock .....	B1-B2
1051E Solenoid Operated Electro-Mechanical Deadlatch .....	B3-B4
1051M Motor Operated Electro-Mechanical Deadlatch .....	B5-B6
1058M Motor Operated Electro-Mechanical Deadlatch .....	B7-B8
10120AE Solenoid Operated Electro-Mechanical Deadlatch .....	B9-B10
10120AM Motor Operated Electro-Mechanical Deadlatch .....	B11-B12
10300E Solenoid Operated Electro-Mechanical Deadlatch .....	B13-B14
10300M Motor Operated Electro-Mechanical Deadlatch .....	B15-B16
10600 Institutional Mortise Lock .....	B17-B20
3150LX.b Electric Locking Systems .....	B21-B22
3165LX.b Electric Locking Systems .....	B23-B24
4110L Electric Locking Systems .....	B25-B26

## PNEUMATIC LOCKS AND LOCKING SYSTEMS ..... C

1051P Pneumatically Operated Deadlatch .....	C1-C2
10120AP Pneumatically Operated Deadlatch .....	C3-C4
10300P Pneumatically Operated Deadlatch .....	C5-C6
8010L Pneumatic Locking System .....	C7-C8
8050L Pneumatic Locking System .....	C9-C10
8065L Pneumatic Locking System .....	C11-C12



# TABLE OF CONTENTS

<b>MECHANICAL LOCKS AND LOCKING SYSTEMS</b> .....	<b>D</b>
1010A Deadlock .....	D1-D2
1010AM Deadlock .....	D3-D4
1017A Snaplatch .....	D5-D6
1017AM Snaplatch .....	D7-D8
1030A Automatic Deadlock .....	D9-D10
1030AD Deadlock .....	D11-D12
1070A/1070AK.a Combination Spring and Deadlock .....	D13-D14
1080A Deadlock .....	D15-D16
10370A Cremone Bolt Set with Snaplatch .....	D17-D18
10380A Cremone Bolt Set with Deadlock .....	D19-D20
10500 Institutional Mortise Lock .....	D21-D26
1300 Track Set .....	D27

<b>SECUR-PAK SYSTEMS</b> .....	<b>E</b>
4150 Pedestrian Swing Gate System .....	E1-E2
4200A Pedestrian Swing Gate System .....	E3-E4
4100 Pedestrian Slide Gate System .....	E5-E6
4400 Fortified Impact Gate System-FIGS .....	E7-E8
4500 Ram Barrier .....	E9
9100A Vehicle Gate Operator .....	E10-E11
9200 Vehicle Lift Gate System .....	E12-E13



# TABLE OF CONTENTS

<b>SOUTHERN STEEL ACCESSORIES</b> .....	<b>F</b>
Paracentric Cylinder/Paracentric Key .....	F1
Mogul Cylinder/Mogul Key .....	F2
Hinges .....	F3-F6
Door Pulls .....	F7-F8
Escutcheon/Cylinder Shield .....	F9
Door Position Switches .....	F10-F11
Food Pass .....	F12
Access Door/Panel .....	F13
Switches .....	F14-F15
Head or Foot Bolt/Receptacle/Key .....	F16
Lock Mountings .....	F17
<b>SOUTHERN FOLGER ACCESSORIES</b> .....	<b>SF</b>
Safety Mirror .....	SF1
Clothes Hook/Shelf .....	SF2
Gun and Key Cabinet .....	SF3
Pistol Lockers .....	SF4
Test Pro Test Unit .....	SF5-SF6
<b>GLOSSARY</b> .....	<b>G</b>
Abbreviations and Finishes .....	G1
Glossary .....	G2-G5





## ELECTRO-MECHANICAL/ PNEUMATIC LOCKS

## REFERENCE GUIDE FOR ELECTRO-MECHANICAL/ PNEUMATIC LOCKS

<b>Applicable Series</b>	<b>Door Type</b>	<b>Security Level</b>	<b>Application</b>	<b>Page</b>
10120AE	Swinging	Medium/Maximum	Cell doors, corridors or entrances, emergency exit doors.	B9
10120AM	Swinging	Medium/Maximum	Cell doors, corridors or entrances.	B11
10120AP *	Swinging	Medium/Maximum	Cell doors, corridors, entrances or emergency exit doors.	C3
10300E	Swinging	Minimum/Medium	Cells doors, office or administrative areas, emergency exit doors.	B13
10300M	Swinging	Minimum/Medium	Cell doors, office or administrative areas.	B15
10300P *	Swinging	Minimum/Medium	Cell doors, office or administrative areas, emergency exit doors.	C5
1051E	Swinging	Maximum	Cell doors, corridors, vestibules, entrance door and emergency exit doors.	B3
1051M	Swinging	Maximum	Cell doors, corridors, vestibules, entrance door.	B5
1051P *	Swinging	Maximum	Cell doors, corridors, vestibules, entrance door and emergency exit doors.	C1
10600	Swinging	Minimum/Medium	Passage, entry, classroom, visitation, any administrative area.	B17
1050D	Swinging/ Sliding	Maximum	Fence gates for pedestrian entrances or sallyports.	B1
1058M	Sliding	Maximum	Cell doors, corridors or vestibules and sallyports.	B7

The above is for reference purposes only. For more details, please see corresponding page numbers.

\* Indicates pneumatic locks.



## REFERENCE GUIDE FOR MECHANICAL LOCKS

Applicable Series	Door Type	Security Level	Application	Page
1010A	Swinging	Maximum	Pipe chase doors, food pass, access doors, key cabinets, controls cabinets, gun cabinets.	D1
1010AM	Swinging	Medium/Maximum	Pipe chase doors, food pass, access doors, key cabinets, controls cabinets, gun cabinets.	D3
1017A	Swinging	Medium	Food pass, observation shutters.	D5
1017AM	Swinging	Medium	Food pass, observation shutters.	D7
1030A	Sliding	Maximum	Sliding doors at holding cells, low traffic corridor doors, cut-off doors.	D9
1030AD	Sliding	Maximum	Sliding doors at holding cells, low traffic corridor doors, cut-off doors.	D11
1070A	Swinging	Maximum	Passage doors & holding cells.	D13
1070AK.a	Swinging	Maximum	Passage doors & holding cells.	D13
1080A	Swinging	Maximum	Cell doors, corridor doors, storage room doors, mechanical & electrical room doors.	D15
10370A	Swinging	Maximum	Single or paired doors, mechanical and electrical room doors.	D17
10380A	Swinging	Maximum	Single or paired doors, mechanical and electrical room doors.	D19
10500	Swinging	Minimum/Medium	Passage, entry, classroom, closet, storage, visitation cell & administration area doors.	D21

The above is for reference purposes only. For more details, please see corresponding page numbers.



**SLIDING DOOR DEVICES**

**REFERENCE GUIDE FOR SLIDING DOOR DEVICES**

<b>Applicable Series</b>	<b>Door Type</b>	<b>Security Level</b>	<b>Application</b>	<b>Page</b>
1300 Track Set	Sliding	Maximum	Holding cells and low traffic corridor doors. Manual or remote controlled, pop open device.	D27
3150LX.b	Sliding	Maximum	Interior cell doors. Remote controlled, powered device.	B21
3165LX.b	Sliding	Maximum	Corridor and sallyport doors. Remote controlled, powered device.	B23
4110LX	Sliding	Maximum	Interior cell doors. Remote controlled, pop open device.	B25
8010L*	Sliding	Maximum	Interior cell doors. Remote controlled, pop open device.	C7
8050L*	Sliding	Maximum	Interior cell doors. Remote controlled, powered device.	C9
8065L*	Sliding	Maximum	Corridor and sallyport doors. Remote controlled, powered device.	C11
9100A	Sliding	Maximum	Vehicle gates. Remote controlled, powered device.	E10

The above is for reference purposes only. For more details, please see corresponding page numbers.

\* Indicates pneumatic devices.





## FENCE MOUNTED FOR SWINGING/SLIDING GATES

Maximum security.

# 1050D SOLENOID OPERATED ELECTRO-MECHANICAL GATE LOCK

1050D-1: KEYED ONE SIDE  
1050D-2: KEYED BOTH SIDES

### APPLICATION:

For swinging and sliding gates. Standard mounting is for chain link fencing, but may be modified for other types of gates.

### FUNCTION:

**ELECTRIC** - Remote switch activates a solenoid which raises an internal bolt, enabling the gate to be opened. Remains unlocked until gate is closed, then automatically deadlocks.

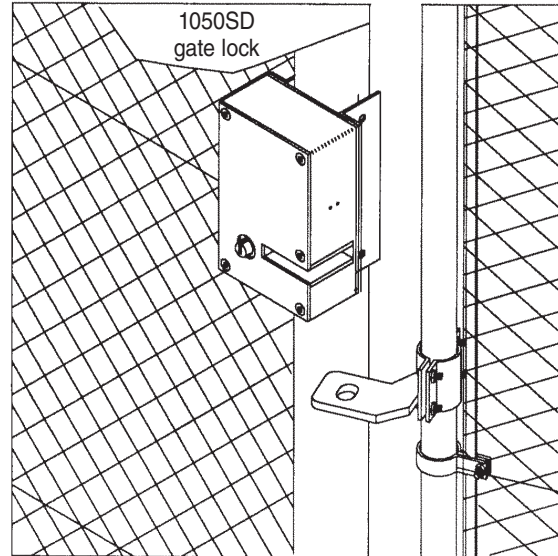
**MECHANICAL** - Bolt may be manually retracted by paracentric key, and remains retracted until key is returned to the locked position.



## FENCE MOUNTED FOR SWINGING/SLIDING GATES

Maximum security.

## 1050D SOLENOID OPERATED ELECTRO-MECHANICAL GATE LOCK



### STANDARD FEATURES:

- Deadlock indication switch
- Mechanical latchback
- Six-tumbler lock
- Continuous duty solenoid
- Mounting hardware for 4" O.D. fence posts and 2" O.D. gate frame

### NOTE:

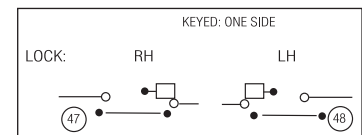
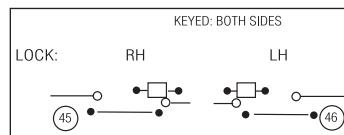
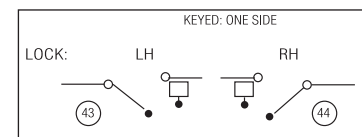
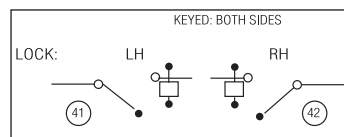
Specify:

1050SD for swinging gate

Specify:

1050RD for sliding gate

**Swing Chart:** Specify circled swing number when ordering.



### TECHNICAL DATA:

- STANDARD FINISH: Galvanized
  - COVER: 3/16" steel plate
  - CASE: 1/8" steel plate
  - LOCKING LUG: Cold-rolled, steel
  - DEADBOLT: Stainless steel
  - PARACENTRIC CYLINDER: Silicon bronze/copper alloy
  - TUMBLERS: Spring tempered brass. Tumblers actuated by phosphor bronze springs, six
- tumblers per lock
- LOCK SIZE: 11"H x 7"W x 3-13/16"D
  - LOCK WEIGHT: 38 lbs.
  - DEADBOLT SIZE: 5/8" diameter
  - DEADBOLT THROW: 1"
  - ELECTRICAL: 115 VAC, 1 phase, 60 Hz., 12 amp inrush current, 0.6 amp seated current



## JAMB MOUNTED FOR SWINGING DOORS

Maximum security.

# 1051E SOLENOID OPERATED ELECTRO-MECHANICAL DEADLATCH

1051E-1: KEYED ONE SIDE  
1051E-2: KEYED BOTH SIDES

### APPLICATION:

For maximum security swinging doors that are to be unlocked from a remote location. Jamb mounted. Door position indicator switch, door closer and heavy duty door pull are recommended.

### FUNCTION:

**ELECTRIC** - Remote switch activates a solenoid which retracts the latchbolt. Latchbolt remains retracted until door is opened approximately 2", then it releases, automatically latches and deadlocks when the door is closed.

**MECHANICAL** - Latchbolt is retracted by a paracentric key at the door and remains retracted until door is opened approximately 2", then it releases, automatically latches and deadlocks when the door is closed.

Automatic deadlatch feature is suspended when paracentric key is rotated to mechanical key hold-back position. Normal function is resumed when key is returned to deadlocked position.



## JAMB MOUNTED FOR SWINGING DOORS

Maximum security.

### STANDARD FEATURES:

- Deadlock indication switch
- Mechanical latchback
- Six-tumbler lock
- Plug connector
- Continuous duty solenoid
- Fail secure
- Mounting fasteners
- Mechanical key holdback
- Adjustable deadlock actuator

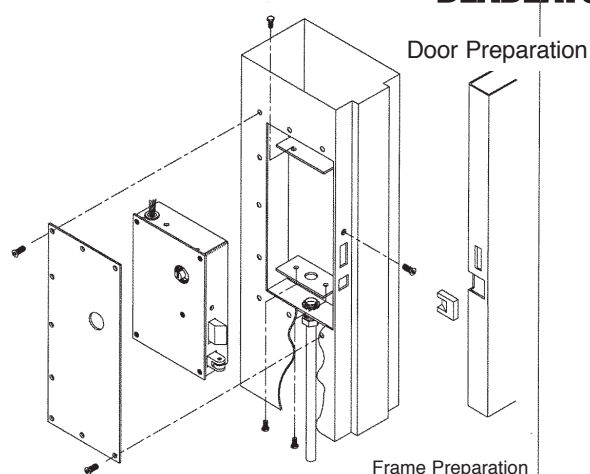
### OPTIONAL FEATURES:

**NO LATCHBACK -** Latchbolt remains retracted as long as control switch is activated. Latchbolt extends when power is removed. Specify "NL."

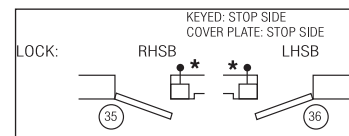
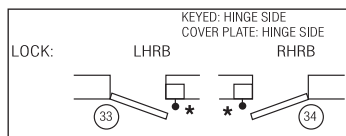
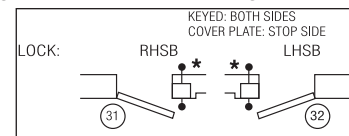
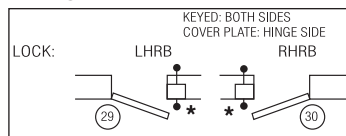
### EMERGENCY EXIT DOOR HOLDBACK -

Dead bolt retracted by solenoid or by key, extended by key only (no snap latch feature). When dead bolt is extended, lock is deadlocked. UL Listing for fire door not available with this function. Specify "EED."

## 1051E SOLENOID OPERATED ELECTRO-MECHANICAL DEADLATCH



**Swing Chart:** Specify circled swing number when ordering.



\* Indicates lock mounting/access plate side.

### TECHNICAL DATA:

- STANDARD FINISH: Galvanized
- COVER: 3/16" steel plate
- CASE: 3/16" steel plate
- LATCHBOLT: Cold-rolled, steel
- DEADLOCK ACTUATOR: Stainless steel
- PARACENTRIC CYLINDER: Silicon bronze/copper alloy
- TUMBLERS: Spring tempered brass. Tumblers actuated by phosphor bronze springs, six tumblers per lock
- ELECTRICAL: 115 VAC, 1 phase, 60 Hz., 12 amp inrush current, 0.6 amp seated current
- LOCK SIZE: 13-3/8" H x 9" W x 3-1/8" D
- LOCK WEIGHT: 50 lbs.
- LATCHBOLT SIZE: 2" x 3/4"
- LATCHBOLT THROW: 1"
- UL Listed for use on three-hour fire doors.
- UL Listed as burglary resistant.
- ASTM F 1577 Certified Impact Test-Grade 1.



## JAMB MOUNTED FOR SWINGING DOORS

Maximum security.

# 1051M MOTOR OPERATED ELECTRO-MECHANICAL DEADLATCH

1051M-1: KEYED ONE SIDE  
1051M-2: KEYED BOTH SIDES

### APPLICATION:

For maximum security swinging doors that are to be unlocked from a remote location. Jamb mounted. Door position indicator switch, door closer and heavy duty door pull are recommended.

### FUNCTION:

**ELECTRIC** - Remote switch activates a motor which retracts the latchbolt. Latchbolt remains retracted until door is opened approximately 2", then it releases, automatically latches and deadlocks when the door is closed.

**MECHANICAL** - Latchbolt is retracted by a paracentric key at the door and remains retracted until door is opened approximately 2", then it releases, automatically latches and deadlocks when the door is closed.

Automatic deadlatch feature is suspended when paracentric key is rotated to mechanical key hold-back position. Normal function is resumed when key is returned to deadlocked position.



## JAMB MOUNTED FOR SWINGING DOORS

Maximum security.

## 1051M MOTOR OPERATED ELECTRO-MECHANICAL DEADLATCH

### STANDARD FEATURES:

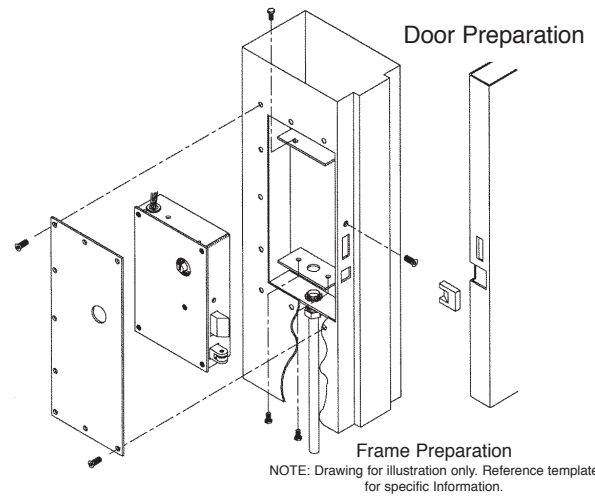
- Deadlock indication switch
- Mechanical latchback
- Six-tumbler lock
- Plug connector
- High torque motor
- Fail secure
- Mounting fasteners
- Mechanical key holdback
- Adjustable deadlock actuator

### OPTIONAL FEATURES:

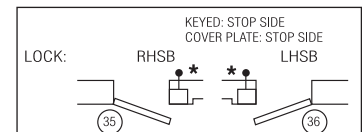
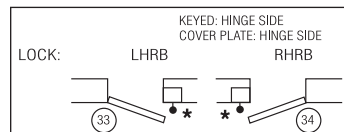
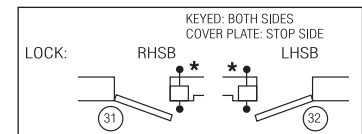
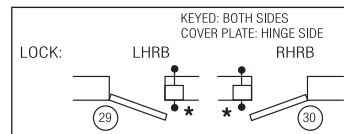
**HALF CYCLE HOLDBACK -** Remote two position maintained contact switch is required for this function. Latchbolt is retracted electrically when switch is in open position. When remote switch is returned to locked position, latchbolt will extend when door is opened approximately 2". UL Listing for fire door not available with this function. Specify "D."

**NO LATCHBACK -** Allows latchbolt to extend without opening door. Normally used with "D" function. Specify "NL."

**24 VDC MOTOR -** Specify "24 VDC."



**Swing Chart:** Specify circled swing number when ordering.



\* Indicates lock mounting/access plate side.

### TECHNICAL DATA:

- **STANDARD FINISH:**  
Galvanized
- **COVER:** 3/16" steel plate
- **CASE:** 3/16" steel plate
- **LATCHBOLT:**  
Cold-rolled, steel
- **DEADLOCK ACTUATOR:**  
Stainless steel
- **PARACENTRIC CYLINDER:**  
Silicon bronze/copper alloy
- **TUMBLERS:** Spring tempered brass. Tumblers actuated by phosphor bronze springs, six tumblers per lock
- **ELECTRICAL:** 115 VAC, 1 phase, 60 Hz., .3 amp running.
- **LOCK SIZE:**  
13-3/8" H x 9" W x 3-1/8" D
- **LOCK WEIGHT:** 50 lbs.
- **LATCHBOLT SIZE:**  
2" x 3/4"
- **LATCHBOLT THROW:** 1"
- UL Listed for use on three-hour fire doors.
- UL Listed as burglary resistant.
- ASTM F1577 Certified Impact Test-Grade 1 (115 VAC and 24 VDC motor)



## JAMB MOUNTED FOR SLIDING DOORS

Maximum security.

1058M-1: KEYED ONE SIDE  
1058M-2: KEYED BOTH SIDES

### APPLICATION:

For sliding doors where electric unlocking from a remote station is required. Lock is jamb mounted. A hook-type lock bolt engages a keeper in hollow metal door. Sliding door normally requires a Model 1300 Track Set with internal door position indication switch. Heavy-duty door pulls are recommended.

### FUNCTION:

**ELECTRIC** - Remote switch activates a motor which raises the hookbolt. Spring-loaded, deadlock actuator pin then pushes the door open approximately 1" to 3". The door automatically latches and deadlocks upon closing.

**MECHANICAL** - Hookbolt is raised by paracentric key at the door. Automatic deadlatch feature is suspended until key is returned to the locked position.

# 1058M MOTOR OPERATED ELECTRO-MECHANICAL DEADLATCH



## JAMB MOUNTED FOR SLIDING DOORS

Maximum security.

## 1058M MOTOR OPERATED ELECTRO-MECHANICAL DEADLATCH

### STANDARD FEATURES:

- Deadlock indicator switch
- Mechanical latchback by key
- Six-tumbler lock
- Plug connector
- Fail secure
- Mounting fasteners
- High torque motor

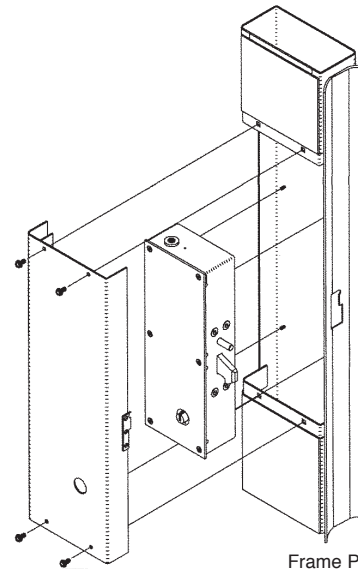
### OPTIONAL FEATURES:

**HALF CYCLE HOLDBACK -** Remote two position maintained contact switch is required for this function. Hookbolt is raised electrically when switch is in open position and lowered when switch is in locked position. Specify "D."

24VDC MOTOR - Specify "24VDC"

STRIKE WITH SECURITY FASTENERS IS OPTIONAL.

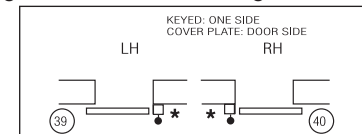
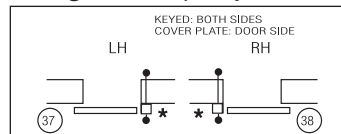
Note: Elongated paracentric key is required for use with a 1300 track set.



Frame Preparation

NOTE: Drawing for illustration only. Reference template for specific information.

**Swing Chart:** Specify circled swing number when ordering.



\* Indicates lock mounting/access plate side.

### TECHNICAL DATA:

- STANDARD FINISH: Galvanized
- COVER: 3/16" steel plate
- CASE: 3/16" steel plate
- STRIKE: (Hollow metal door only) Stainless steel
- HOOKBOLT: Cold-rolled, case-hardened steel
- DEADLOCK ACTUATOR PIN: Cold-rolled, case-hardened steel
- TUMBLERS: Spring tempered brass. Tumblers actuated by phosphor bronze springs, six tumblers per lock.
- ELECTRICAL: 115 VAC, 1 phase, 60 Hz., .3 amp running
- LOCK SIZE: 17-13/16" H x 6-11/16" W x 3-1/2" D
- PARACENTRIC CYLINDER: Silicon bronze/copper alloy
- LOCK WEIGHT: 58 lbs.
- HOOKBOLT SIZE: 2" x 1/2"
- LATCHBOLT ENGAGEMENT: 2-1/8"



## JAMB MOUNTED FOR SWINGING DOORS

Medium and maximum security.

10120AE-1: KEYED ONE SIDE  
10120AE-2: KEYED BOTH SIDES

### APPLICATION:

Medium and maximum security swinging doors that are to be unlocked from a remote location. Jamb mounted. Door position indicator switch, door closer and heavy duty door pull are recommended.

### FUNCTION:

**ELECTRIC** - Remote switch activates a solenoid which retracts the latchbolt. Latchbolt remains retracted until door is opened approximately 2", then it releases, automatically latches and deadlocks when the door is closed.

**MECHANICAL** - Latchbolt is retracted with a mogul key at the door, and remains retracted until door is opened approximately 2", then it releases and automatically latches and deadlocks when the door is closed.

# 10120AE SOLENOID OPERATED ELECTRO-MECHANICAL DEADLATCH



## JAMB MOUNTED FOR SWINGING DOORS

Medium and maximum security.

### STANDARD FEATURES:

- Deadlock indication switch
- Mechanical latchback
- Strike with security fasteners
- Mogul cylinder (US26D Finish)
- Plug connector
- Continuous duty solenoid
- Fail secure
- Mounting fasteners

### OPTIONAL FEATURES:

**NO LATCHBACK** - Latchbolt remains retracted as long as control switch is activated. Latchbolt extends when power is removed. Specify "NL."

**KNOB FUNCTION** - Bolt retracted by knob on opposite side of mogul cylinder only. Specify "K."

**MECHANICAL KEY HOLDBACK** - Bolt retracted by key, remains retracted until manually projected with key. UL Listing for fire door not available with this function. Specify "MKH."

**LOCAL ELECTRIC KEYSWITCH** - Day key provides local electric operation and may be disabled from remote control point. Master key provides both electric and mechanical operation. Specify "LEK."

**EMERGENCY EXIT DOOR HOLDBACK** - Deadbolt retracted by solenoid or by key, extended by key only (no snap latch feature). When bolt is extended, lock is dead locked. UL Listing for fire door not available with this function. Specify "EED."

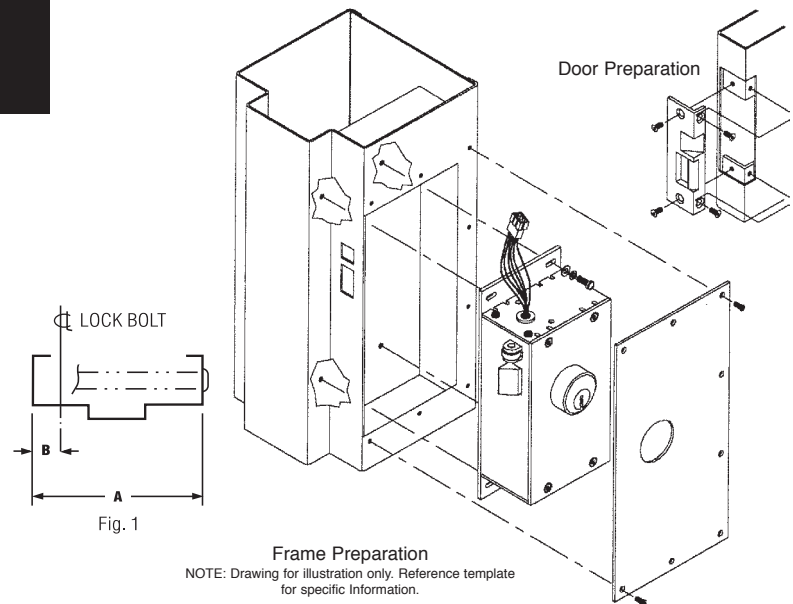
NOTE: Master keying available.

**KEY CYLINDER EXTENDER** - An option in place of providing a recess in the frame when keying on the stop side is required. Available in 3" or 5". 3" extender can be used on openings up to 6" jamb. 5" extender can be used on openings up to 8" jamb. Specify "KCE," then extender size. Other lengths available upon request.

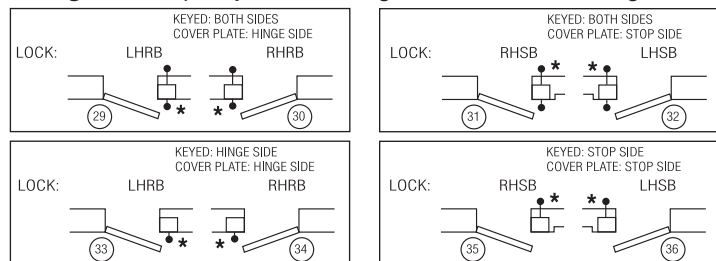
PROVIDE:(See Fig.1)

1. Dimension "A"  
(overall frame width)
2. Dimension "B"  
(edge of frame to centerline of lockbolt)

## 10120AE SOLENOID OPERATED ELECTRO-MECHANICAL DEADLATCH



**Swing Chart:** Specify circled swing number when ordering.



\*Indicates both mounting/access plate side.

### TECHNICAL DATA:

- **STANDARD FINISH:**  
Galvanized
- **COVER:** 10 gauge steel plate
- **CASE:** 10 gauge steel plate
- **STRIKE:** Stainless steel
- **LATCHBOLT:**  
Stainless steel
- **DEADLOCK ACTUATOR:**  
Stainless steel
- **MOGUL CYLINDER:**  
US26D
- **MOGUL KEYS:**  
Nickel Silver
- **PIN TUMBLERS:**  
Combination nickel silver and stainless steel, 6 tumblers per lock
- **ELECTRICAL:** 115 VAC, 1 phase, 60 Hz., 10 amp inrush, 0.6 amp seated
- **LOCK SIZE:**  
12" H x 5-7/16" W x 3-1/2"D
- **LOCK WEIGHT:** 19 lbs.
- **LATCHBOLT SIZE:**  
1-1/2" x 3/4"
- **LATCHBOLT THROW:** 1"
- UL Listed for use on three-hour fire doors.
- UL Listed as burglary resistant.
- ASTM F 1577 Certified Impact Test-Grade1



## JAMB MOUNTED FOR SWINGING DOORS

Medium and maximum security.

10120AM-1: KEYED ONE SIDE  
10120AM-2: KEYED BOTH SIDES

### APPLICATION:

Medium and maximum security swinging doors that are to be unlocked from a remote location. Jamb mounted. Door position indicator switch, door closer and heavy duty door pull are recommended.

### FUNCTION:

**ELECTRIC** - Remote switch activates a motor which retracts the latchbolt. Latchbolt remains retracted until door is opened approximately 2", then it releases, automatically latches and deadlocks when the door is closed.

**MECHANICAL** - Latchbolt is retracted with a mogul key at the door, and remains retracted until door is opened approximately 2", then it releases and automatically latches and deadlocks when the door is closed.

# 10120AM MOTOR OPERATED ELECTRO-MECHANICAL DEADLATCH



## JAMB MOUNTED FOR SWINGING DOORS

Medium and maximum security.

## 10120AM MOTOR OPERATED ELECTRO-MECHANICAL DEADLATCH

### STANDARD FEATURES:

- Deadlock indication switch
- Mechanical latchback
- Strike with security fasteners
- Mogul cylinder (US26D Finish)
- Plug connector
- High torque motor
- Fail secure
- Mounting fasteners

### OPTIONAL FEATURES:

**HALF CYCLE HOLDBACK** - Remote two-position maintained contact switch is required for this function. Latchbolt is retracted electrically when switch is in open position. When remote switch is returned to locked position, latchbolt will extend when door is opened approximately 2". UL Listing for fire door not available with this function. Specify "D."

**NO LATCHBACK** - Allows latchbolt to extend without opening door. Normally used with "D" function. Specify "NL."

**KNOB FUNCTION** - Bolt retracted by knob on opposite side of mogul cylinder only. Specify "K."

**MECHANICAL KEY HOLDBACK** - Bolt retracted by key, remains retracted until manually projected with key. UL Listing for fire door not available with this function. Specify "MKH."

**LOCAL ELECTRIC KEYSWITCH** - Day key provides local electric operation and may be disabled from remote control point. Master key provides both electric and mechanical operation. Specify "LEK."

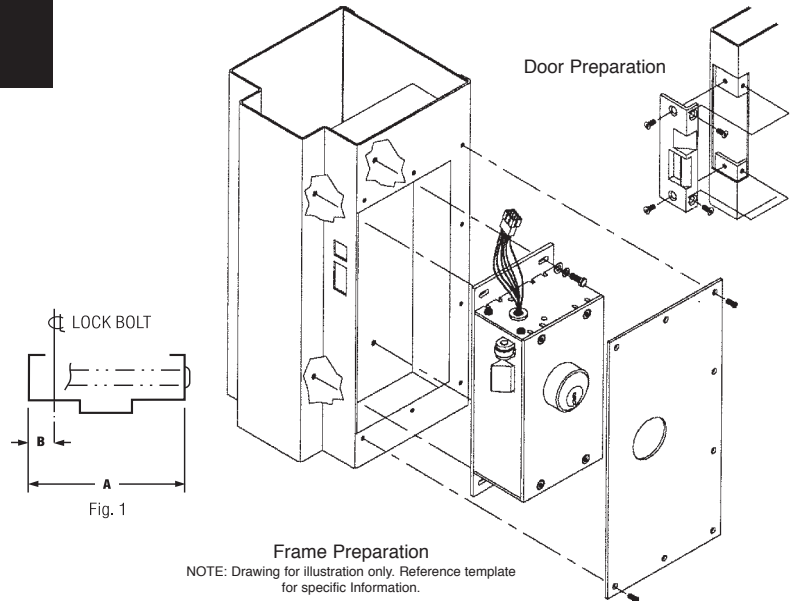
NOTE: Master keying available.

**KEY CYLINDER EXTENDER** - An option in place of providing a recess in the frame when keying on the stop side is required. Available in 3" or 5". 3" extender can be used on openings up to 6" jamb. 5" extender can be used on openings up to 8" jamb. Specify "KCE," then extender size. Other lengths available upon request.

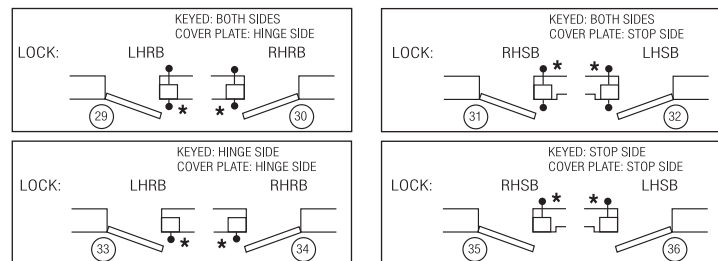
PROVIDE:(See Fig.1)

1. Dimension "A" (overall frame width)
2. Dimension "B" (edge of frame to center line of lockbolt)

24 VDC MOTOR - Specify "24 VDC."



**Swing Chart:** Specify circled swing number when ordering.



\* Indicates both mounting/access plate side.

### TECHNICAL DATA:

- STANDARD FINISH: Galvanized
- COVER: 10 gauge steel plate
- CASE: 10 gauge steel plate
- STRIKE: Stainless steel
- LATCHBOLT: Stainless steel
- DEADLOCK ACTUATOR: Stainless steel
- MOGUL CYLINDER: US26D
- MOGUL KEYS: Nickel Silver
- PIN TUMBLERS: Combination nickel silver and stainless steel, 6 tumblers per lock
- ELECTRICAL: 115 VAC, 1 phase, 60 Hz., 2.4 amp inrush, 1.8 amp running, 24 VDC (Optional) 3.3 amp maximum
- LOCK SIZE: 12" H x 5-7/16" W x 3-1/2" D
- LOCK WEIGHT: 19 lbs.
- LATCHBOLT SIZE: 1-1/2" x 3/4"
- LATCHBOLT THROW: 1"
- UL Listed for use on three-hour fire doors.
- UL Listed as burglary resistant.
- ASTM F 1577 Certified Impact Test-Grade1. (115VAC and 24 VDC motor)



## JAMB MOUNTED FOR SWINGING DOORS

Minimum and medium security.

10300E-1: KEYED ONE SIDE  
10300E-2: KEYED BOTH SIDES

### APPLICATION:

Minimum and medium security swinging doors that are to be unlocked from a remote location. Jamb mounted. Door position indicator switch, door closer and heavy duty door pull are recommended.

### FUNCTION:

**ELECTRIC** - Remote switch activates a solenoid which retracts the latchbolt. Latchbolt remains retracted until door is opened approximately 2", then it releases, automatically latches and deadlocks when the door is closed.

**MECHANICAL** - Latchbolt is retracted with a builder's hardware key at the door, and remains retracted until door is opened approximately 2", then it releases and automatically latches and deadlocks when the door is closed.

# 10300E SOLENOID OPERATED ELECTRO-MECHANICAL DEADLATCH



## JAMB MOUNTED FOR SWINGING DOORS

Minimum and medium security.

### STANDARD FEATURES:

- Deadlock indication switch
- Mechanical latchback
- Strike with security fasteners
- Faceplate with security fasteners
- Plug connector
- High power, dual coil solenoid with overload protection device
- Fail secure
- Mounting fasteners

Note #1: 1-11/16" O.D. x 1/8" wall cold drawn tubes furnished by hollow metal manufacturer.

### OPTIONAL FEATURES:

**NO LATCHBACK** - Latchbolt remains retracted as long as control switch is activated. Latchbolt extends when power is removed. Specify "NL."

**LOCAL ELECTRIC KEYSWITCH** - Day key provides local electric operation and may be disabled from remote control point. Master key provides both electric and mechanical operation. Requires dual-function enhancement to builder's cylinder. Specify "LEK."

**BUILDER'S HARDWARE CYLINDERS** - Specify:

- "10300E-1" keyed one side.
- "10300E-2" keyed both sides.

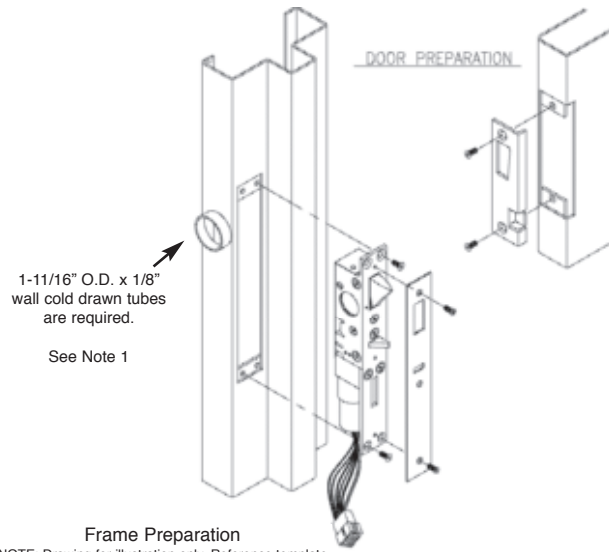
**KEY CYLINDER EXTENDER** - Required whenever lock is keyed on stop side. Overall frame depth 4" minimum. Specify "KCE."

Full body rim cylinder required on stop side.  
Full body mortise cylinder required on hinge side.

**PROVIDE:** (See Fig. 1)

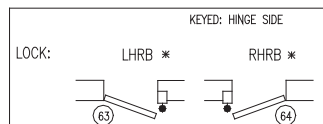
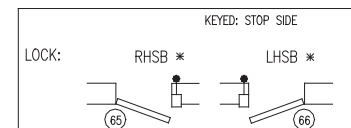
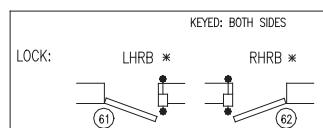
1. Dimension "A"  
(overall frame width)
2. Dimension "B"  
(edge of frame to centerline of lockbolt)

## 10300E SOLENOID OPERATED ELECTRO-MECHANICAL DEADLATCH



NOTE: Drawing for illustration only. Reference template for specific information.

**Swing Chart:** Specify circled swing number when ordering.



### TECHNICAL DATA

- STANDARD FINISH: US32D
- LOCK BODY: Stainless steel
- FACE PLATE: Stainless steel
- LATCHBOLT: Stainless steel
- DEADLOCK ACTUATOR: Stainless steel
- ELECTRICAL: 24 VDC, 7.0 amp inrush, 0.6 amp seated
- LOCK SIZE: 10-5/8" H x 1-1/2" W x 1-3/4" D
- LOCK WEIGHT: 3.6 lbs.
- LATCHBOLT SIZE: 1-5/8" H x 5/8" TK
- LATCHBOLT THROW: 3/4"
- BUILDER'S CYLINDER: 1-5/32" diameter with standard Yale cam or equal
- UL Listed for use on three-hour fire doors.
- ASTM F1577 Certified Impact Test-Grade 1

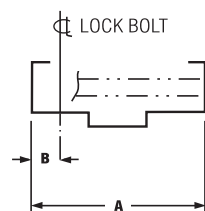


Fig. 1



## JAMB MOUNTED FOR SWINGING DOORS

Minimum and medium security.

# 10300M MOTOR OPERATED ELECTRO-MECHANICAL DEADLATCH

10300M-1: KEYED ONE SIDE  
10300M-2: KEYED BOTH SIDES

### APPLICATION:

Minimum and medium security swinging doors that are to be unlocked from a remote location. Jamb mounted. Door position indicator switch, door closer and heavy duty door pull are recommended.

### FUNCTION:

**ELECTRIC** - Remote switch activates a motor which retracts the latchbolt. Latchbolt remains retracted until door is opened approximately 2", then it releases, automatically latches and deadlocks when the door is closed.

**MECHANICAL** - Latchbolt is retracted with a builder's hardware key at the door, and remains retracted until door is opened approximately 2", then it releases and automatically latches and deadlocks when the door is closed.



## JAMB MOUNTED FOR SWINGING DOORS

Minimum and medium security.

### STANDARD FEATURES:

- Deadlock indication switch
- Mechanical latchback
- Strike with security fasteners
- Faceplate with security fasteners
- Plug connector
- High torque motor
- Fail secure
- Mounting fasteners

Note #1: 1-11/16" O.D. x 1/8" wall cold drawn tubes furnished by hollow metal manufacturer.

### OPTIONAL FEATURES:

**HALF CYCLE HOLDBACK -** Remote two-position maintained contact switch is required for this function. Latchbolt is retracted electrically when switch is in open position. When remote switch is returned to locked position, latch bolt will extend when door is opened approximately 2". Specify "D." UL listing not available with this function.

**NO LATCHBACK -** Allows latch bolt to extend without opening door. Normally used with "D" function. Specify "NL."

**LOCAL ELECTRIC KEYSWITCH -** Day key provides local electric operation and may be disabled from remote control point. Master key provides both electric and mechanical operation. Requires dual-function enhancement to builder's cylinder. Specify "LEK."

**BUILDER'S HARDWARE CYLINDERS -** Specify:

- "10300M-1" keyed one side.
- "10300M-2" keyed both sides.

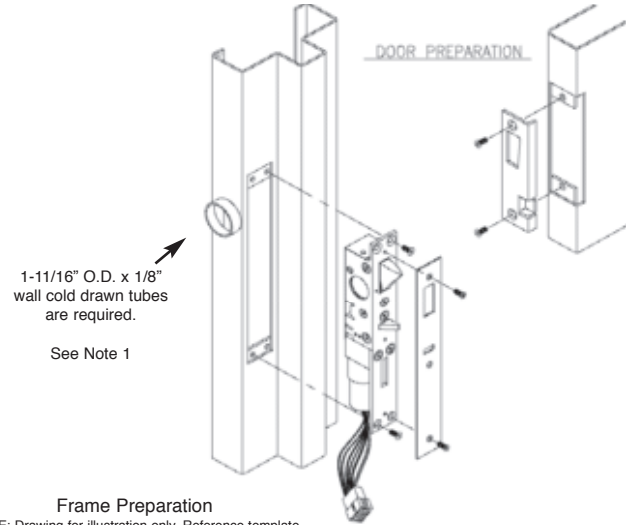
**KEY CYLINDER EXTENDER -** Required whenever lock is keyed on stop side. Overall frame depth 4" minimum. Specify "KCE."

Full body rim cylinder required on stop side. Full body mortise cylinder required on hinge side.

**PROVIDE:** (See Fig. 1)

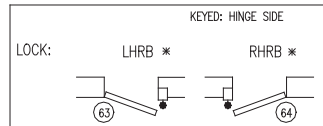
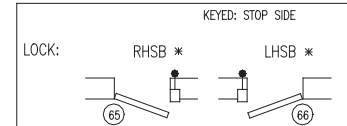
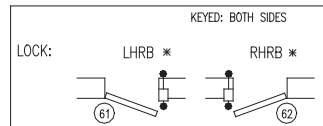
1. Dimension "A" (overall frame width)
2. Dimension "B" (edge of frame to centerline of lockbolt)

## 10300M MOTOR OPERATED ELECTRO-MECHANICAL DEADLATCH



Frame Preparation  
NOTE: Drawing for illustration only. Reference template for specific information.

**Swing Chart:** Specify circled swing number when ordering.



### TECHNICAL DATA:

- STANDARD FINISH: US32D
- LOCK BODY: Stainless steel
- FACE PLATE: Stainless steel
- LATCHBOLT: Stainless steel
- DEADLOCK ACTUATOR: Stainless steel

- ELECTRICAL: 24 VDC, Inrush: .3A Locked Rotor Current: 1.5A
- LOCK SIZE: 10-5/8" H x 1-1/2" W x 1-3/4" D
- LOCK WEIGHT: 3.6 lbs.
- LATCHBOLT SIZE: 1-5/8" H x 5/8" TK
- LATCHBOLT THROW: 3/4"
- BUILDER'S CYLINDER: 1-5/32" diameter with standard Yale cam or equal
- UL Listed for use on three-hour fire doors.
- ASTM F 1577 Certified Impact Test-Grade 1

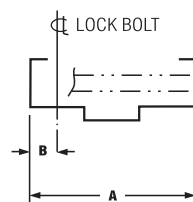


Fig. 1



## DOOR MOUNTED FOR SWINGING DOORS

Minimum and medium security.

# 10600 INSTITUTIONAL MORTISE LOCK

### APPLICATION:

Designed for minimum and medium security areas where remote electric or local manual control of lever is desired. Door position switch and door closure are recommended. **204E power transfer hinge is required.**

### FUNCTION:

10600E FAIL SECURE – Lever unlocks when power is applied.

10600EP FAIL SAFE – Lever locks when power is applied.

A variety of functions are available to meet job requirements. See function chart.

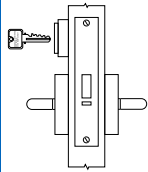
**THIS LOCK IS NOT INTENDED FOR CELL APPLICATION.**



## FUNCTIONS

# 10600 INSTITUTIONAL MORTISE LOCK

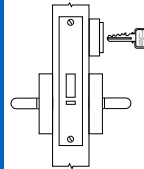
10601



### 10601 Lockset

- Latchbolt operated by lever either side, except when both are locked out.
- Key outside operates latchbolt when both levers are locked out.
- Deadlock actuator.
- 10601E: Both levers are locked, except when power is applied.
- 10601EP: Both levers are unlocked, except when power is applied.

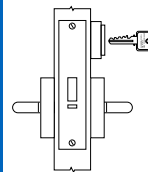
10604



### 10604 Lockset

- Latchbolt operated by lever either side, except when inside lever is locked out.
- Key inside operates latchbolt when inside lever is locked out.
- Lever outside always active.
- Deadlock actuator.
- 10604E: Inside lever is locked, except when power is applied.
- 10604EP: Inside lever is unlocked, except when power is applied.

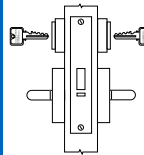
10602



### 10602 Lockset

- Latchbolt operated by lever either side, except when both are locked out.
- Key inside operates latchbolt when both levers are locked out.
- Deadlock actuator.
- 10602E: Both levers are locked, except when power is applied.
- 10602EP: Both levers are unlocked, except when power is applied.

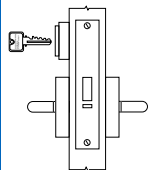
10605



### 10605 Lockset

- Latchbolt operated by lever both sides, except when locked out.
- Key both sides operates latchbolt when both levers are locked out.
- Deadlock actuator.
- 10605E: Both levers are locked, except when power is applied.
- 10605EP: Both levers are unlocked, except when power is applied.

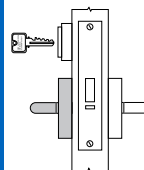
10603



### 10603 Lockset

- Latchbolt operated by lever both sides, except when outside lever is locked out.
- Key outside operates latchbolt when outside lever is locked out.
- Lever inside always active.
- Deadlock actuator.
- 10603E: Outside lever is locked, except when power is applied.
- 10603EP: Outside lever is unlocked, except when power is applied.

10606



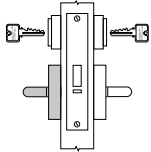
### 10606 Lockset

- Latchbolt operated by lever inside, except when locked out.
- Key outside operates latchbolt.
- Lever outside always rigid.
- Dead lock actuator.
- 10606E: Inside lever is locked, except when power is applied.
- 10606EP: Inside lever is unlocked, except when power is applied.

## FUNCTIONS

# 10600 INSTITUTIONAL MORTISE LOCK

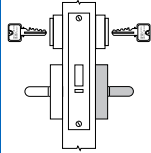
10607



### 10607 Lockset

- Latchbolt operated by inside lever, except when locked out.
- Key both sides operates latchbolt.
- Lever outside always rigid.
- Deadlock actuator.
- 10607E: Inside lever is locked, except when power is applied.
- 10607EP: Inside lever is unlocked, except when power is applied.

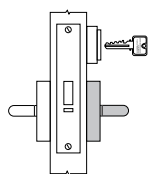
10608



### 10608 Lockset

- Latchbolt operated by lever outside, except when locked out.
- Key both sides operates latchbolt.
- Lever inside always rigid.
- Deadlock actuator.
- 10608E: Outside lever is locked, except when power is applied.
- 10608EP: Outside lever is unlocked, except when power is applied.

10609



### 10609 Lockset

- Latchbolt operated by lever outside, except when locked out.
- Key inside operates latchbolt.
- Lever inside always rigid.
- Deadlock actuator.
- 10609E: Outside lever is locked, except when power is applied.
- 10609EP: Outside lever is unlocked, except when power is applied.



## DOOR MOUNTED FOR SWINGING DOORS

Minimum and medium security.

## 10600 INSTITUTIONAL MORTISE LOCK

### STANDARD FEATURES:

- Deadlock indication switch
- Lever handles
- Mogul cylinders
- Strike 500B with replaceable high-performance plastic insert in lip. Includes security fasteners
- Faceplate with security fasteners
- Mounting fasteners
- High security rose with security fasteners
- Finish US32D
- E=FAIL SECURE: Lever is locked when power is not applied.
- EP=FAIL SAFE: Lever is locked when power is applied.

When ordering, add suffix "E" or "EP" to lock function number.

### OPTIONAL FEATURES:

- BUILDER'S HARDWARE CYLINDER(S) - Specify "BHC"
- LEVER: Specify "L"
- STRIKE WITH DUST BOX - Specify "500C"
- STRIKE WITH INDICATION - Specify "500CL"

#### BOLT STRIKE OPTIONS -

(Must be specified separately):

- 500C - Bolt strike with dust box
- 500CL - Bolt strike with switch

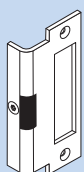
NOTE: All bolt strikes are supplied with security fasteners.

#### HOW TO ORDER:

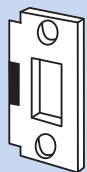
Specify:

- |                                 |                               |
|---------------------------------|-------------------------------|
| 1. Quantity                     | 5. Strike type                |
| 2. Swing chart number (handing) | 6. Lever requirements         |
| 3. Function                     | 7. Key code instructions      |
| 4. Cylinder type                | 8. Specify 1-3/4" or 2" door. |

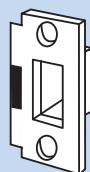
#### BOLT STRIKES



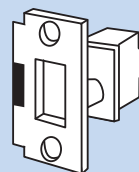
500B  
View 1



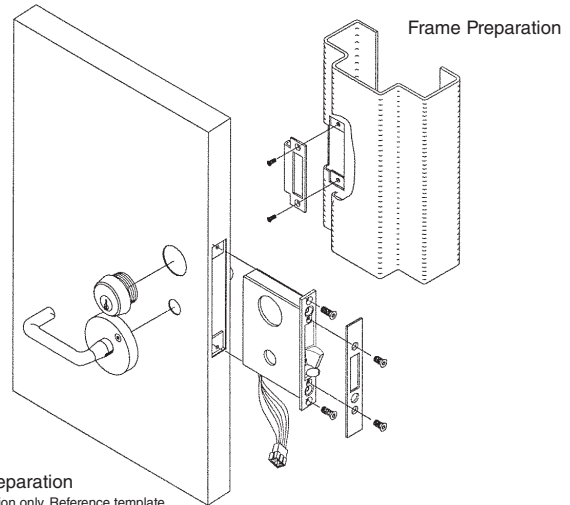
500B  
View 2



500C

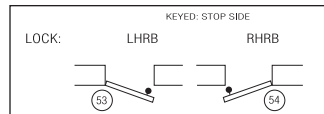
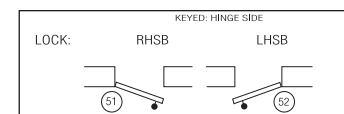
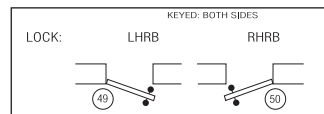


500CL



NOTE: Drawing for illustration only. Reference template for specific information.

#### Swing Chart: Specify circled swing number when ordering.



### TECHNICAL DATA:

- STANDARD FINISH: US32D
- COVER: 7 gauge steel
- CASE: 7 gauge steel
- STRIKE: 10 gauge stainless steel only
- FACE PLATE: 16 gauge stainless steel
- LATCHBOLT: Cast stainless steel
- DEADLOCK ACTUATOR: Stainless steel
- LEVER HANDLES: Stainless steel
- LATCHBOLT SIZE: 1-1/8" H x 3/4" TK
- KEY CYLINDER: Mogul or builder's
- LOCK WEIGHT: 20 LBS.
- LATCHBOLT THROW: 3/4"
- ELECTRIC: 24V DC, 0.3 AMP
- FITS ANSI DOOR PREP. A115.1
- Listed for use on three-hour fire doors.
- ASTM F 1577 Certified Impact Test-Grade 1



## FOR GROUPS OF SLIDING CELL DOORS

Maximum security.

## 3150LX.b ELECTRIC LOCKING SYSTEMS

### 3150LX.b ELECTRIC LOCKING SYSTEM

The 3150LX.b system offers complete selective electric operation of sliding doors in a line or group from a remote control station. Doors are operated by electric motors through a rack and pinion drive mechanism over each door. This system also provides emergency mechanical unlocking from a control cabinet at the head of the door line. Doors are locked at top and bottom in both the open and closed positions by means of a concealed vertical lock bar at the rear jamb of each door. The vertical lock bar is deadlocked at a third locking point inside the horizontal cover box above the door. Standard clear door opening widths are from 2'4" to 3'2".

### FUNCTION:

**ELECTRIC** - A remote switch activates a motor which raises a vertical lock bar and propels the door open or closed. Individual lamp indicators on the control panel show locked/unlocked condition. A single switch can provide group unlocking.

**MECHANICAL** - In the absence of electrical power, doors may be individually unlocked with a manual release tool. Door movement is by hand and door will relock in either fully open or closed position.

**EMERGENCY GANG RELEASE** - In an emergency, all doors in a cell line may be simultaneously unlocked from a mechanical release cabinet at the end of the cell line. While in emergency release mode, doors will not relock in any position.



### TECHNICAL DATA:

- COVER BOX:  
1' 0 - 3/4" H x 7-1/2" D
- COVER BOX MATERIAL:  
7 gauge steel plate
- HINGED PANEL:  
10 gauge steel
- DOOR ROLLERS:  
3" diameter, machined steel with sealed bearings
- VERTICAL LOCK BAR
- DIMENSIONS:  
5/8" SQ by full height of door
- FINISH: Prime paint
- DOOR HANGER:  
7 gauge steel plate
- ELECTRICAL:  
Motor: 1/20 HP, 115 VAC, 60 Hz., single phase power  
Inrush: .8A  
Running: .72A  
Locked Rotor Current: 1.2A
- WIRE REQUIREMENTS:  
When electric operation of the door is from a remote station, a minimum of five conductors (minimum 14 gauge) are required between the control point and the door, except for those models having the letter "K" (keyswitch) in the suffix. Keyswitch models require minimum six conductors.

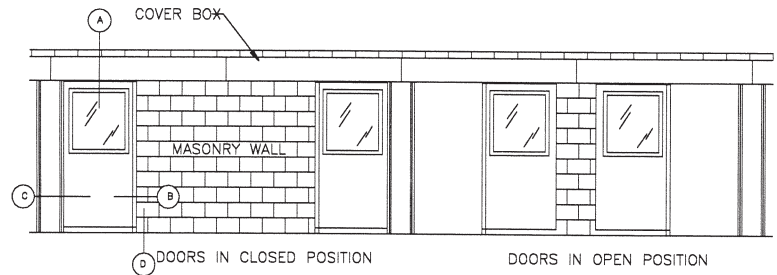


## FOR GROUPS OF SLIDING CELL DOORS

Maximum security.

## 3150LX.b ELECTRIC LOCKING SYSTEM

### 3150LX.b SLIDING DOOR SYSTEM



### STANDARD FEATURES:

- Bottom door guide
- Door hanger
- Mechanical release cabinet
- Sloped-front cover box
- Hinged cover panel for maintenance access
- Vertical lock bar assembly
- ASTM F1643 Certified
- Horizontal and Vertical Impact Test-Grade 1
- Prime paint finish

### OPTIONAL FEATURES:

**PILASTER RELEASE** – (In lieu of mechanical release cabinet.) Hip-high paracentric keyed mechanical release mounted in a full-height pilaster adjacent to the receiving jamb. Specify “3150LX.bP-1” keyed one side.

**ELECTRIC KEYSWITCH** – Paracentric or mogul keyed local electric control switch mounted below mechanical release mechanism in pilaster. Specify “3150LX.bPK-1” for paracentric keyed one side. Specify “3150LX.bPKM-1” for mogul keyed one side.

**HOT DIP GALVANIZED FINISH** - Available for external applications with lift-off cover panel only. Not available with standard hinged cover panel. Specify “G” when ordering. Example: 3150LX.b P-1G

**REMOTE PANEL LOCK SYSTEM** - Remote panel option is available with lift-off cover panel only. Not available with standard hinged cover panel. Specify “RP” when ordering. Example: 3150LX.bRP  
**FACTORY WIRED CONTROL CABLE**  
 Specify “3150LX.bWC.”

### DOOR SCHEDULE

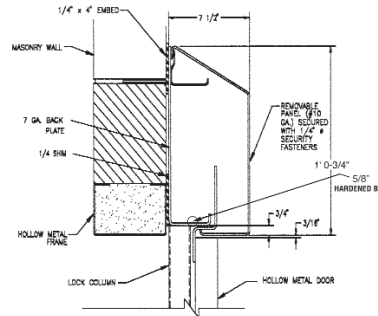
DOOR HEIGHT	CLEAR OPENING	FRAME OPENING	COVER BOX	DOOR WIDTH
8'-0" MAXIMUM	2'-4"	2'-4"	6'-0"	2'-6 1/2"
	2'-6"	2'-6"	6'-4"	2'-8 1/2"
	2'-8"	2'-8"	6'-8"	2'-10 1/2"
8'-0"	3'-0"	3'-0"	7'-4"	3'-2 1/2"
	3'-2"	3'-2"	7'-8"	3'-4 1/2"

NOTE: Cover box minimum length = (7" overtravel) + (2 x clear opening) + 9".

For doors exceeding 300 lbs. and/or greater than 3'-2" clear opening, contact factory.

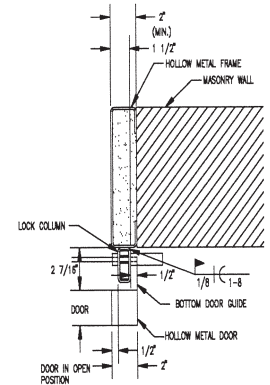
**THREE HOUR FIRE DOOR RATING AVAILABLE.** Standard cover box calculation does not apply to fire rated door.

#### DETAIL A – SLOPED BOX

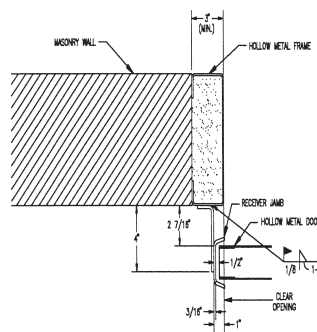


**COVER BOX SECTION**  
 7-1/2" deep x 1'-3/4" tall cover box field welded 1" on 8" top and bottom.

#### DETAIL B – VERTICAL LOCK JAMB BAR

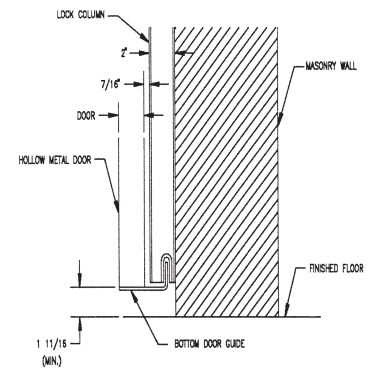


#### DETAIL C – RECEIVER



**RECEIVER JAMB SECTION**  
 Flush receiver jamb allows frame opening and clear opening to be the same.

#### DETAIL D – BOTTOM DOOR GUIDE SECTION



#### 3150LX.b Shown

Note: Other system configurations and details are available. Call Customer Service for more information.



## FOR INDIVIDUAL SLIDING DOORS

Maximum security.

## 3165LX.b ELECTRIC LOCKING SYSTEM

### 3165LX.b ELECTRIC LOCKING SYSTEM

The 3165LX.b system includes several versions of a system designed for locking, unlocking and propelling sliding doors in safety vestibules, in dayrooms or in high-traffic corridors.

Each 3165LX.b model utilizes an electric motor to operate the door through a rack and pinion drive mechanism. Doors are locked at top and bottom in both the open and closed positions by means of a concealed vertical lock bar at the rear jamb of the door. The vertical lock bar is deadlocked at a third locking point inside the horizontal cover box above the door. Standard clear door opening widths available are 3' 0" to 4' 6".

### FUNCTION:

**ELECTRIC** - A remote switch activates a motor which raises a vertical lock bar and propels the door open or closed.

**MECHANICAL** - Manual unlocking is provided for each device. After being manually released, door movement is by hand. The door automatically deadlocks when moved to the fully open or closed position.



### TECHNICAL DATA:

- COVER BOX:  
1' 0-3/4" H x 7-1/2" D
- COVER BOX MATERIAL:  
7 gauge steel plate
- HINGED PANEL:  
10 gauge steel
- DOOR ROLLERS:  
3" diameter, with sealed bearings
- VERTICAL LOCK BAR  
DIMENSIONS:  
5/8" SQ by full height of door
- FINISH: Prime paint
- DOOR HANGER:  
7 gauge steel plate
- ELECTRICAL:  
Motor: 1/8 HP, 115 VAC, 60 Hz., single phase power  
Inrush: 1.1A  
Running: .9A  
Locked Rotor Current: 3.1A
- WIRE REQUIREMENTS:  
When electric operation of the door is from a remote station, a minimum of five conductors (minimum 14 gauge) are required between the control point and the door, except for those models having the letter "K" (keyswitch) in the suffix. Keyswitch models require minimum six conductors.



## FOR INDIVIDUAL SLIDING DOORS

Maximum security.

### STANDARD FEATURES:

- Bottom door guide
- Door hanger
- Local mechanical release at cover box
- Sloped-front cover box
- Hinged cover panel for maintenance access
- Vertical lock bar assembly
- ASTM F1643 Certified
- Horizontal and Vertical Impact Test-Grade 1
- Prime paint finish

### OPTIONAL FEATURES:

**PILASTER RELEASE** - Hip-high paracentric keyed mechanical release mounted in a full-height pilaster adjacent to the receiving jamb.

Specify "3165LX.bP-1" keyed one side.  
Specify "3165LX.bP-2" keyed two sides.

**ELECTRIC KEYSWITCH** -Paracentric or mogul keyed local electric control switch mounted below mechanical release mechanism in pilaster.

Specify "3165LX.bPK-1" for paracentric keyed one side.  
Specify "3165LX.bPK-2" for paracentric keyed two sides.  
Specify "3165LX.bPKM-1" for mogul keyed one side.  
Specify "3165LX.bPKM-2" for mogul keyed two sides.

**HOT DIP GALVANIZED FINISH** - Available for external applications with lift-off cover panel only. Not available with standard hinged cover panel. Specify "G" when ordering. Example: 3165LX.b P-1G

**REMOTE PANEL LOCK SYSTEM** - Remote panel option is available with lift-off cover panel only. Not available with standard hinged cover panel. Specify "RP" when ordering. Example: 3165LX.bRP

DOOR SCHEDULE				
DOOR HEIGHT	CLEAR OPENING	FRAME OPENING	COVER BOX	DOOR WIDTH
8'-0" MAXIMUM	3'-0"	3'-7"	7'-4"	3'-2 1/2"
	3'-2"	3'-9"	7'-8"	3'-4 1/2"
	3'-4"	3'-11"	8'-0"	3'-6 1/2"
	3'-6"	4'-1"	8'-4"	3'-8 1/2"
	3'-8"	4'-3"	8'-8"	3'-10 1/2"
	4'-0"	4'-7"	9'-4"	4'-2 1/2"
	4'-4"	4'-11"	10'-0"	4'-6 1/2"
	4'-6"	5'-1"	10'-4"	4'-8 1/2"

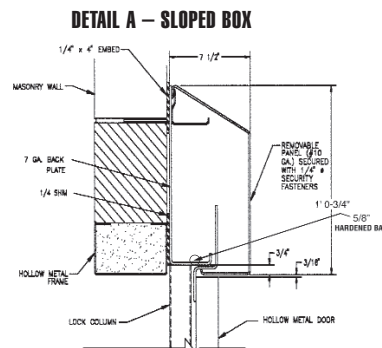
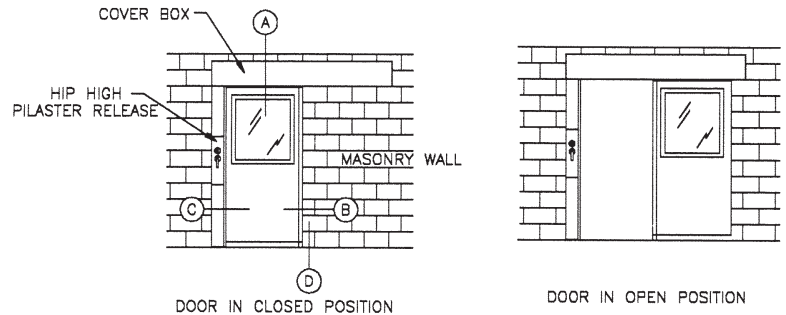
NOTE: Cover box minimum length = (7" overtravel) + (2 x clear opening) + 9".

For doors exceeding 450 lbs. and/or greater than 4'-6" clear opening, contact factory.

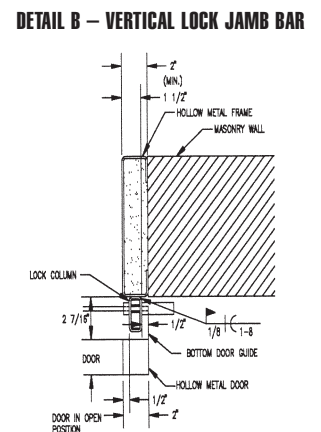
**THREE HOUR FIRE DOOR RATING AVAILABLE.** Standard cover box calculation does not apply to fire rated door.

## 3165LX.b ELECTRIC LOCKING SYSTEM

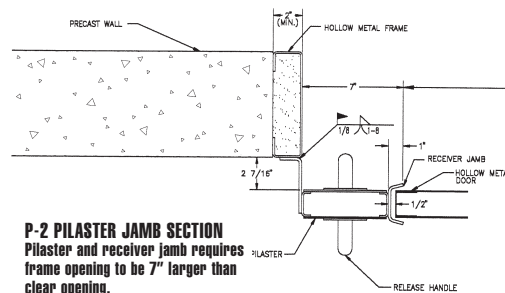
### 3165LX.bP-2 SLIDING DOOR SYSTEM



**COVER BOX SECTION**  
7-1/2" Deep x 1'-3/4" tall  
cover box field welded 1" on 8"  
top and bottom.

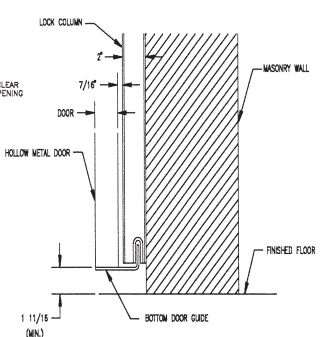


**DETAIL C - PILASTER P2**



**P-2 PILASTER JAMB SECTION**  
Pilaster and receiver jamb requires  
frame opening to be 7" larger than  
clear opening.

**DETAIL D - BOTTOM DOOR GUIDE SECTION**



### 3165LX.bPKM-2 Shown

Note: Other system configurations and details are available.  
Call Customer Service for more information.



## FOR GROUPS OF SLIDING CELL DOORS

Maximum security.

## 4110L ELECTRIC LOCKING SYSTEM

### 4110L ELECTRIC LOCKING SYSTEM

For use where remote electric unlocking of groups of sliding doors is required, but door movement can be by hand at the door. This system also provides emergency mechanical unlocking from a control cabinet at the head of the door line. Doors are locked at top and bottom in both the open and closed positions by means of a concealed vertical lock bar at the rear jamb of each door. The vertical lock bar is deadlocked at a third locking point inside the horizontal cover box above the door. Standard clear door opening widths available are 2'4" to 3'2".

#### FUNCTION:

**ELECTRIC** - Individual switches located on a remote control panel operate an electric motor housed in the horizontal cover box over each door, raising the vertical lock bar and unlocking the door. Upon unlocking, the door springs open a few inches. All door movement is by hand at the door, which automatically snap/deadlocks when moved to the fully closed or fully open position. Individual lamp indicators on the control panel show locked/unlocked condition. A single switch can provide group unlocking.

**MECHANICAL** - In the absence of electrical power, doors may be individually unlocked with a manual release tool. Door movement is by hand and door will relock in either fully open or closed position.

**EMERGENCY GANG RELEASE** - In an emergency, all doors in a cell line may be simultaneously unlocked from a mechanical release cabinet at the end of the cell line. While in emergency release mode, doors will not relock in any position.



#### TECHNICAL DATA:

- **COVER BOX:**  
1' 0-3/4" H x 7-1/8" D
- **COVER BOX MATERIAL:**  
7 gauge steel plate
- **HINGED PANEL:**  
10 gauge steel
- **DOOR ROLLERS:**  
3" diameter, machined steel with sealed bearings
- **VERTICAL LOCK BAR DIMENSIONS:**  
5/8" SQ by full height of door
- **FINISH:** Prime paint
- **DOOR HANGER:**  
7 gauge steel plate
- **ELECTRICAL:**  
Motor: 1/60 HP, 115 VAC, 60 Hz., single phase power, Inrush: .7A  
Locked Rotor Current: .8A
- **WIRE REQUIREMENTS:**  
When electric operation of the door is from a remote station, a minimum of five conductors (minimum 14 gauge) are required between the control point and the door, except for those models having the letter "K" (keyswitch) in the suffix. Keyswitch models require minimum six conductors.



## FOR GROUPS OF SLIDING CELL DOORS

Maximum security.

## 4110L ELECTRIC LOCKING SYSTEM

### STANDARD FEATURES:

- Bottom door guide
- Door hanger
- Mechanical release cabinet
- Sloped-front cover box
- Hinged cover panel for maintenance access
- Vertical lock bar assembly
- ASTM F1643 Certified  
Horizontal and Vertical Impact Test-Grade 1
- Prime paint finish

### OPTIONAL FEATURES:

**PILASTER RELEASE** – (In lieu of mechanical release cabinet.) Hip-high paracentric keyed mechanical release mounted in a full-height pilaster adjacent to the receiving jamb.

Specify “4110LP-1” keyed one side.

**ELECTRIC KEYSWITCH** – Paracentric or mogul keyed local electric control switch mounted below mechanical release mechanism in pilaster.

Specify “4110LPK-1” for paracentric keyed one side.  
Specify “4110LPKM-1” for mogul keyed one side.

**ELECTRIC HALF CYCLE** – Door will not lock in any position until it receives relock signal. This function requires the use of a three position switch. Specify “D.”

**HOT DIP GALVANIZED FINISH** - Available for external applications with lift-off cover panel only. Not available with standard hinged cover panel. Specify “G” when ordering. Example: 4110LP-1G

**REMOTE PANEL LOCK SYSTEM** - Remote panel option is available with lift-off cover panel only. Not available with standard hinged cover panel. Specify “RP” when ordering. Example: 4110LRP

**NO LOCK OPEN** - Specify “NLO.”  
Door does not lock in open position.

**MOTOR** – Specify “24 VDC.”

Inrush: 1.1A

Locked Rotor Current: 3.4A

**FACTORY WIRED CONTROL CABLE**  
Specify “4110LWC.”

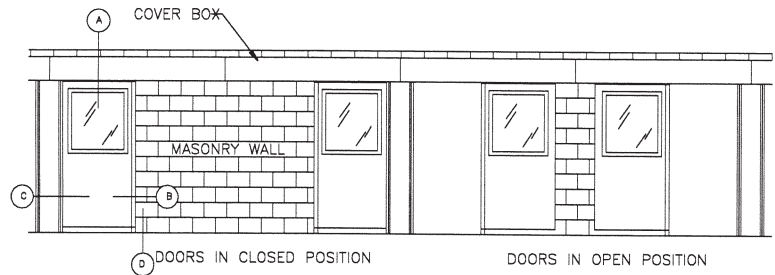
### DOOR SCHEDULE

DOOR HEIGHT	CLEAR OPENING	FRAME OPENING	COVER BOX	DOOR WIDTH
8'-0" MAXIMUM	2'-4"	2'-4"	6'-0"	2'-6 1/2"
	2'-6"	2'-6"	6'-4"	2'-8 1/2"
	2'-8"	2'-8"	6'-8"	2'-10 1/2"
8'-0"	3'-0"	3'-0"	7'-4"	3'-2 1/2"
	3'-2"	3'-2"	7'-8"	3'-4 1/2"

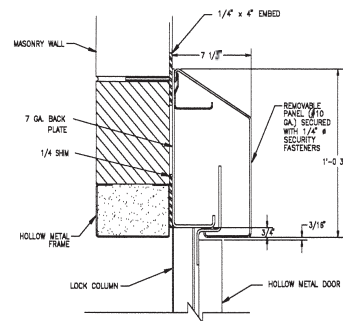
NOTE: Cover box minimum length = (7" overtravel) + (2 x clear opening) + 9".

For doors exceeding 300 lbs. and/or greater than 3'-2" clear opening, contact factory.

4110L SLIDING DOOR SYSTEM

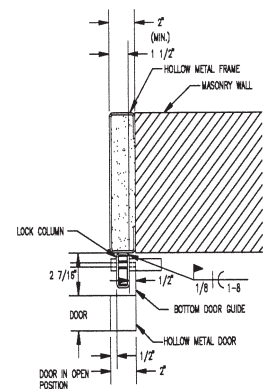


DETAIL A – SLOPED BOX

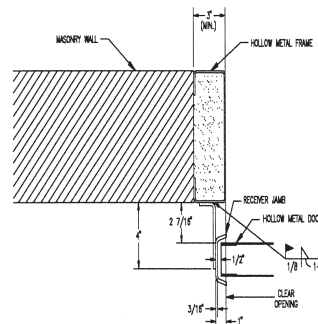


**COVER BOX SECTION**  
7-1/8" deep x 1' – 0-3/4" tall  
cover box field welded 1" on 8"  
top and bottom.

DETAIL B – VERTICAL LOCK JAMB BAR

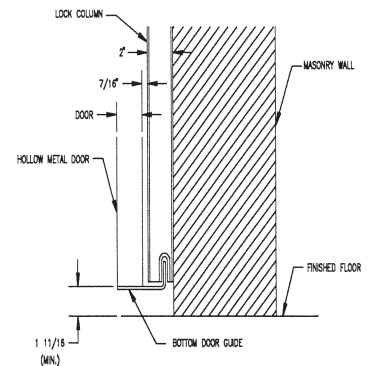


DETAIL C – RECEIVER



**RECEIVER JAMB SECTION**  
Flush receiver jamb allows frame  
opening and clear opening to  
be the same.

DETAIL D – BOTTOM DOOR GUIDE SECTION



4110L Shown

Note: Other system configurations and details are available.  
Call Customer Service for more information.



## JAMB MOUNTED FOR SWINGING DOORS

Maximum security.

# 1051P PNEUMATICALLY OPERATED DEADLATCH

1051P-1: KEYED ONE SIDE  
1051P-2: KEYED BOTH SIDES

### APPLICATION:

For maximum security swinging doors that are to be unlocked from a remote location. Jamb mounted. Door position indicator switch, door closer and heavy duty door pull are recommended.

### FUNCTION:

**ELECTRIC** - Remote switch activates a pneumatic cylinder which retracts the latchbolt. Latchbolt remains retracted until door is opened approximately 2", then it releases, automatically latches and deadlocks when the door is closed.

**MECHANICAL** - Latchbolt is retracted by a paracentric key at the door and remains retracted until door is opened approximately 2", then it releases, automatically latches and deadlocks when the door is closed.

Automatic deadlatch feature is suspended when paracentric key is rotated to mechanical key hold-back position. Normal function is resumed when key is returned to deadlocked position.



UL



## JAMB MOUNTED FOR SWINGING DOORS

Maximum security.

### STANDARD FEATURES:

- Deadlock indication switch
- Mechanical latchback
- Six tumbler lock
- Plug connector
- Solenoid valve
- Fail secure
- Mounting fasteners
- Mechanical key holdback
- Adjustable roller bolt

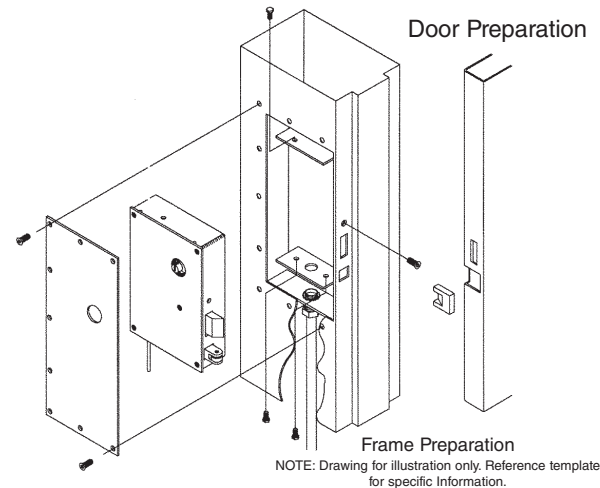
### OPTIONAL FEATURES:

**NO LATCHBACK** - Latchbolt remains retracted as long as control switch is activated. Latchbolt extends when power is removed. Specify "NL."

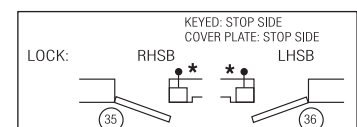
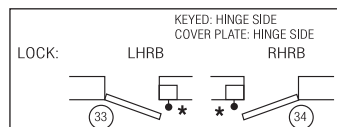
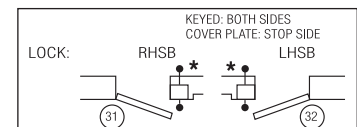
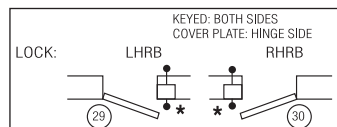
**EMERGENCY EXIT DOOR HOLDBACK** - Deadbolt retracted by solenoid or by key, extended by key only (no snaplatch feature). When deadbolt is extended, lock is deadlocked. Specify "EED." UL listing not available with this function.

**EMERGENCY EXIT RELEASE** - From remote location latchbolt can be retracted and held retracted until released from remote station. Requires a second pneumatic tube to the lock and an emergency reserve air system. Specify "EER." UL listing not available with this function.

## 1051P PNEUMATICALLY OPERATED DEADLATCH



**Swing Chart:** Specify circled swing number when ordering.



\* Indicates lock mounting/access plate side.

### TECHNICAL DATA:

- **STANDARD FINISH:** Galvanized
- **COVER:** 3/16" steel plate
- **CASE:** 3/16" steel plate
- **LATCHBOLT:** Cold-rolled steel
- **DEADLOCK ACTUATOR:** Stainless steel
- **PARACENTRIC CYLINDER:** Silicon bronze/copper alloy
- **TUMBLERS:** Spring tempered brass. Tumblers actuated by phosphor bronze springs, six tumblers per lock
- **ELECTRICAL:** 24 VDC, 1.5 watt continuous duty
- **AIR REQUIREMENT:** Consumption: 1.1 cubic inches per operation. Supply pressure: 80-100 P.S.I. at the door.
- **LOCK SIZE:** 13-3/8" H x 9" W x 3-1/8" D
- **LOCK WEIGHT:** 50 lbs.
- **LATCHBOLT SIZE:** 2" H x 3/4" TK
- **LATCHBOLT THROW:** 1"
- **ASTM F 1577 Certified Impact Test-Grade 1**



## JAMB MOUNTED FOR SWINGING DOORS

Medium and maximum security.

10120AP-1: KEYED ONE SIDE  
10120AP-2: KEYED BOTH SIDES

### APPLICATION:

Medium and maximum security swinging doors that are to be unlocked from a remote location. Jamb mounted. Door position indicator switch, door closer and heavy duty door pull are recommended.

### FUNCTION:

**ELECTRIC** - Remote switch activates a pneumatic cylinder which retracts the latchbolt. Latchbolt remains retracted until door is opened approximately 2", then it releases, automatically latches and deadlocks when the door is closed.

**MECHANICAL** - Latchbolt is retracted with a mogul key at the door, and remains retracted until door is opened approximately 2", then it releases, automatically latches and deadlocks when the door is closed.

# 10120AP PNEUMATICALLY OPERATED DEADLATCH



## JAMB MOUNTED FOR SWINGING DOORS

Medium and maximum security.

## 10120AP PNEUMATICALLY OPERATED DEADLATCH

### STANDARD FEATURES:

- Deadlock indication switch
- Mechanical latchback
- Strike with security fasteners
- Mogul cylinder (US26D Finish)
- Plug connector
- Solenoid valve
- Fail secure
- Mounting fasteners

### OPTIONAL FEATURES:

**NO LATCHBACK** - Latchbolt remains retracted as long as control switch is activated. Latchbolt extends when power is removed. Specify "NL."

**KNOB FUNCTION** - Bolt retracted by knob on opposite side of mogul cylinder only. Specify "K."

**MECHANICAL KEY HOLDBACK** - Bolt retracted by key, remains retracted until manually projected with key. Specify "MKH." UL Listing not available with this function.

**LOCAL ELECTRIC KEYSWITCH** - Day key provides local electric operation and may be disabled from remote control point. Master key provides both electric and mechanical operation. Specify "LEK."

**EMERGENCY EXIT DOOR HOLDBACK** - Deadbolt retracted by air cylinder or by key, extended by key only (no snaplatch feature). When bolt is extended, lock is deadlocked. UL Listing not available with this function. Specify "EED"

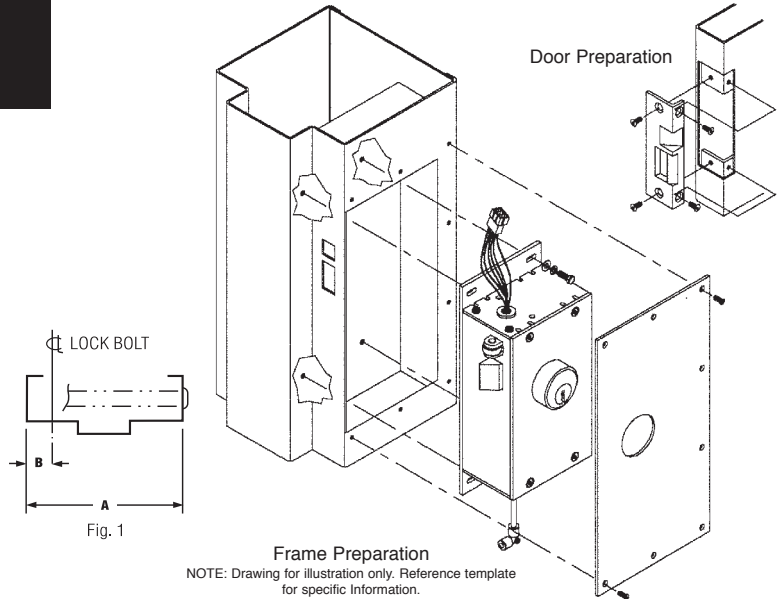
**EMERGENCY EXIT RELEASE** - From remote location latchbolt can be retracted and held retracted until released from remote station. Requires a second pneumatic tube to the lock and an emergency reserve air system. UL Listing not available with this function. Specify "EER."

NOTE: Master keying available.

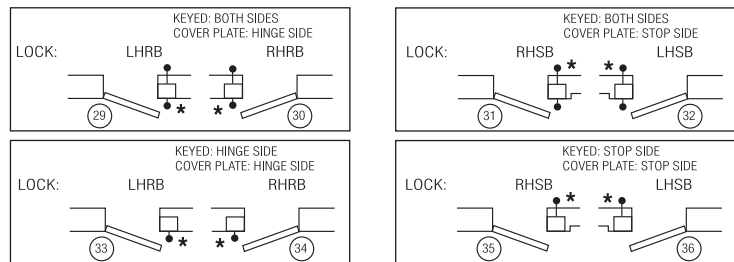
**KEY CYLINDER EXTENDER** - An option in place of providing a recess in the frame when keying on the stop side is required. Available in 3" or 5". 3" extender can be used on openings up to 6" jamb. 5" extender can be used on openings up to 8" jamb. Specify "KCE," then extender size. Other lengths available upon request.

PROVIDE:(See Fig. 1)

1. Dimension "A"  
(overall frame width)
2. Dimension "B"  
(edge of frame to centerline of lockbolt)



**Swing Chart:** Specify circled swing number when ordering.



\* Indicates both mounting/access plate side.

### TECHNICAL DATA:

- **STANDARD FINISH:**  
Galvanized
- **COVER:** 10 gauge steel plate
- **CASE:** 10 gauge steel plate
- **STRIKE:** Stainless steel
- **LATCHBOLT:** Stainless steel
- **DEADLOCK ACTUATOR:**  
Stainless steel
- **MOGUL CYLINDER:**  
US26D
- **MOGUL KEYS:**  
Nickel Silver
- **PIN TUMBLERS:**  
Combination nickel silver and stainless steel, 6 tumblers per lock
- **ELECTRICAL:** 24 VDC,  
1.5 watt continuous duty
- **AIR REQUIREMENT:**  
Consumption: 1.1 cubic inches per operation.  
Supply pressure:  
80-100 P.S.I. at the door.
- **LOCK SIZE:**  
12" H x 5-7/16" W x 3-1/2" D
- **LOCK WEIGHT:** 19 lbs.
- **LATCHBOLT SIZE:**  
1-1/2" H x 3/4" TK
- **LATCHBOLT THROW:** 1"
- UL Listed for use on three-hour fire doors.
- UL Listed as burglary resistant under UL 1034.
- ASTM F 1577 Certified Impact Test-Grade 1



## JAMB MOUNTED FOR SWINGING DOORS

Minimum and medium security.

# 10300P PNEUMATICALLY OPERATED DEADLATCH

10300P-1: KEYED ONE SIDE  
10300P-2: KEYED BOTH SIDES

### APPLICATION:

Minimum to medium security swinging doors that are to be unlocked from a remote location. Jamb mounted. Door position indicator switch, door closer and heavy duty door pull are recommended.

### FUNCTION:

**ELECTRIC** - Remote switch activates a pneumatic air cylinder which retracts the latchbolt. Latchbolt remains retracted until door is opened approximately 2", then it releases, automatically latches and deadlocks when the door is closed.

**MECHANICAL** - Latchbolt is retracted with a builder's hardware key at the door, and remains retracted until door is opened approximately 2", then it releases, automatically latches and deadlocks when the door is closed.



## JAMB MOUNTED FOR SWINGING DOORS

Minimum and medium security.

### STANDARD FEATURES:

- Deadlock indication switch
- Mechanical latchback
- Strike with security fasteners
- Faceplate with security fasteners
- Plug connector
- Solenoid valve
- Fail secure
- Mounting fasteners

Note #1: 1-11/16" O.D. x 1/8" wall cold drawn tubes furnished by hollow metal manufacturer.

### OPTIONAL FEATURES:

**NO LATCHBACK** - Latchbolt remains retracted as long as control switch is activated. Latchbolt extends when power is removed. Specify "NL."

**LOCAL ELECTRIC KEYSWITCH** - Day key provides local electric operation and may be disabled from remote control point. Master key provides both electric and mechanical operation. Specify "LEK."

**EMERGENCY EXIT RELEASE** - From remote location latchbolt can be retracted and held retracted until released from remote station. Requires a second pneumatic tube to the lock and an emergency reserve air system. Specify "EER." UL listing not available with this function.

**BUILDER'S HARDWARE CYLINDERS** - Specify:

- "10300P-1" keyed one side.
- "10300P-2" keyed both sides.

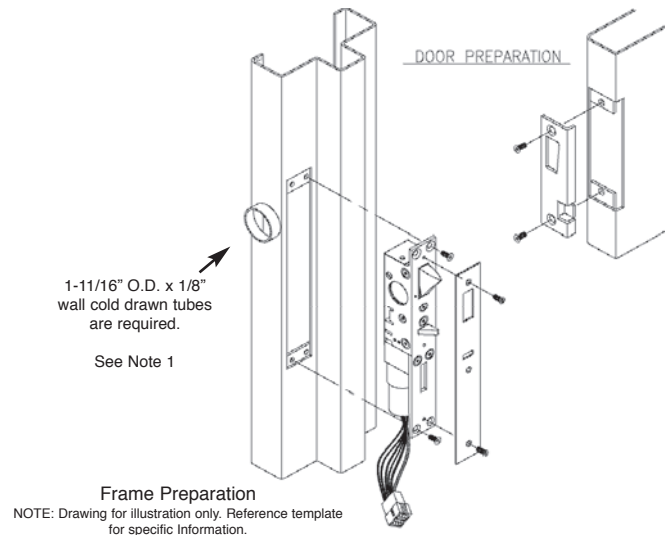
**KEY CYLINDER EXTENDER** - Required whenever lock is keyed on stop side. Overall frame depth 4" minimum. Specify "KCE."

Full body rim cylinder required on stop side.  
Full body mortise cylinder required on hinge side.

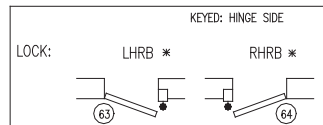
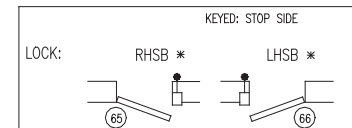
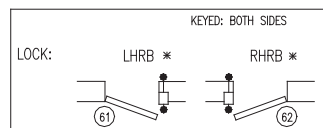
PROVIDE: (See Fig. 1)

1. Dimension "A" (overall frame width)
2. Dimension "B" (edge of frame to centerline of lockbolt)

## 10300P PNEUMATICALLY OPERATED DEADLATCH

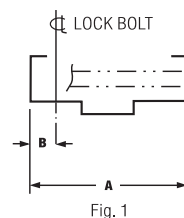


**Swing Chart:** Specify circled swing number when ordering.



### TECHNICAL DATA:

- **STANDARD FINISH:** US32D
- **LOCK BODY:** Stainless steel
- **FACE PLATE:** Stainless steel
- **LATCHBOLT:** Stainless steel
- **DEADLOCK ACTUATOR:** Stainless steel
- **ELECTRICAL:** 24 VDC, 1.5 watt continuous duty
- **AIR REQUIREMENT:** Consumption: .44 cubic inches per operation. Supply pressure: 80 - 100 P.S.I. at the door.
- **LOCK SIZE:** 10 - 5/8" H x 1-1/2" W x 1-3/4" D
- **LOCK WEIGHT:** 3.2 lbs.
- **LATCHBOLT SIZE:** 1-5/8" H x 5/8" TK
- **LATCHBOLT THROW:** 3/4"
- **BUILDER'S CYLINDER:** 1-5/32" diameter with standard Yale cam or equal
- UL Listed for use on three-hour fire doors.
- ASTM F 1577 Certified Impact Test-Grade 1.



## FOR GROUPS OF SLIDING CELL DOORS

Maximum security.

### 8010L PNEUMATIC LOCKING SYSTEM

For use where remote electric unlocking of groups of sliding doors is required, but door movement can be by hand at the door. This system also provides emergency pneumatic unlocking from a remote location. Doors are locked at top and bottom in both the open and closed positions by means of a concealed vertical lock bar at the rear jamb of each door. The vertical lock bar is deadlocked at a third locking point inside the horizontal cover box above the door. Standard clear door opening widths available are 2'4" to 3'2".

#### FUNCTION:

**ELECTRIC** - Individual switches located on a remote control panel actuate a pneumatic cylinder housed in the horizontal cover box over each door, raising the vertical lock bar and unlocking the door. Upon unlocking, the door springs open a few inches. All door movement is by hand at the door, which automatically snap/deadlocks when moved to the fully closed or fully open position. Individual lamp indicators on the control panel show locked/unlocked condition. A single switch can provide group unlocking.

**MECHANICAL** - In the absence of pneumatic or electrical power, doors may be individually unlocked with a manual release tool. Door movement is by hand and door will relock in either fully open or closed position.

**EMERGENCY GANG RELEASE** - In an emergency, all doors in a cell line may be simultaneously unlocked from a remote location using a pneumatic release system. While in emergency release mode, doors will not relock in any position.

## 8010L PNEUMATIC LOCKING SYSTEM



#### TECHNICAL DATA:

- COVER BOX:  
1' 0-3/4" H x 7-1/2" D
- COVER BOX MATERIAL:  
7 gauge steel plate
- HINGED PANEL:  
10 gauge steel
- DOOR ROLLERS:  
3" diameter, machined steel with sealed bearings.
- VERTICAL LOCK BAR DIMENSIONS:  
5/8" SQ by full height of door.
- FINISH: Prime paint
- DOOR HANGER:  
7 gauge steel plate
- ELECTRICAL: 24 VDC  
Minimum five 24 volt conductors are required between the control point and the door, except for those models having the letter "K" (keyswitch) in the suffix. Keyswitch models require minimum six conductors.
- AIR REQUIREMENTS:  
Air consumption 1.9 cubic inches per unlock operation at 80 PSIG.



## FOR GROUPS OF SLIDING CELL DOORS

Maximum security.

## 8010L PNEUMATIC LOCKING SYSTEM

### STANDARD FEATURES:

- Bottom door guide
- Door hanger
- Pneumatic emergency release
- Sloped-front cover box
- Hinged cover panel for maintenance access
- Vertical lock bar assembly
- ASTM F1643 Certified Horizontal and Vertical Impact Test-Grade 1
- Prime paint finish

### OPTIONAL FEATURES:

**PILASTER RELEASE** - (In lieu of pneumatic release system.) Hip-high paracentric keyed mechanical release mounted in a full-height pilaster adjacent to the receiving jamb. Specify "8010LP-1" keyed one side.

**ELECTRIC KEYSWITCH** - Paracentric or mogul keyed local electric control switch mounted below mechanical release mechanism in pilaster.

Specify "8010LPK-1" for paracentric keyed one side.

Specify "8010LPKM-1" for mogul keyed one side.

**HOT DIP GALVANIZED FINISH** - Available for external applications with lift-off cover panel only. Not available with standard hinged cover panel. Specify [G] when ordering. Example: 8010LP-1G

**NO LOCK OPEN** - Specify "NLO." Door does not lock in open position.

**FACTORY-WIRED CONTROL CABLE** - Specify "8010LWC."

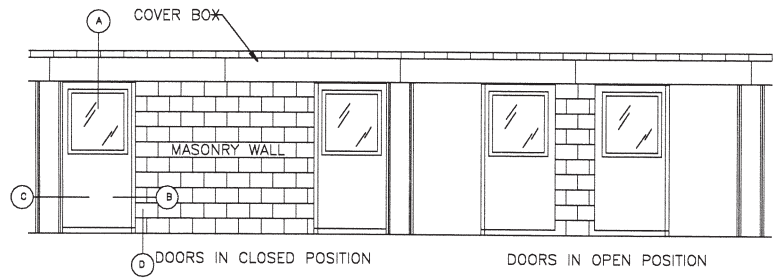
### DOOR SCHEDULE

DOOR HEIGHT	CLEAR OPENING	FRAME OPENING	COVER BOX	DOOR WIDTH
8'-0" MAXIMUM	2'-4"	2'-4"	6'-0"	2'-6 1/2"
	2'-6"	2'-6"	6'-4"	2'-8 1/2"
	2'-8"	2'-8"	6'-8"	2'-10 1/2"
8'-0"	3'-0"	3'-0"	7'-4"	3'-2 1/2"
	3'-2"	3'-2"	7'-8"	3'-4 1/2"

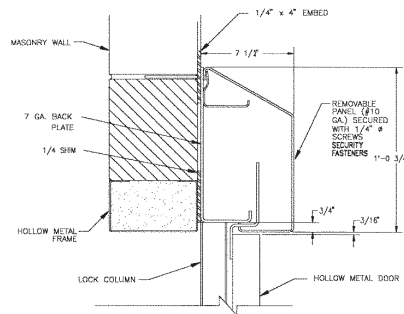
NOTE: Cover box minimum length = (7" overtravel) + (2 x clear opening) + 9".

\*For doors exceeding 300 lbs. and/or greater than 3'-2" clear opening, contact factory.

### 8010L PNEUMATIC SLIDING DOOR SYSTEM

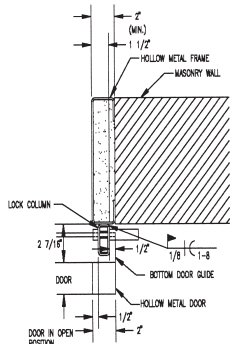


#### DETAIL A - SLOPED BOX

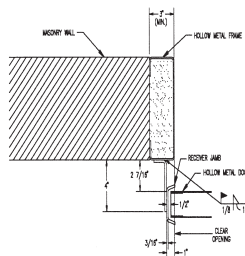


**COVER BOX SECTION**  
7-1/2" deep x 1'-0-3/4" tall cover box field welded 1" on 6" top and bottom

#### DETAIL B - VERTICAL LOCK JAMB BAR

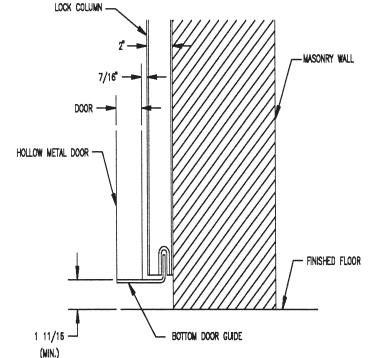


#### DETAIL C - RECEIVER



**RECEIVER JAMB SECTION**  
Flush receiver jamb allows frame opening and clear opening to be the same.

#### DETAIL D - BOTTOM DOOR GUIDE SECTION



### 8010L Shown

Note: Other system configurations and details are available. Call Customer Service for more information.



## FOR GROUPS OF SLIDING CELL DOORS

Maximum security.

### 8050L PNEUMATIC LOCKING SYSTEM

The 8050L Locking System offers complete selective electric operation of sliding doors in a line or group from a remote control station. Doors are operated by pneumatic cylinders over each door. This system also provides emergency pneumatic unlocking from a remote location. Doors are locked at top and bottom in both the open and closed positions by means of a concealed vertical lock bar at the rear jamb of each door. The vertical lock bar is deadlocked at a third locking point inside the horizontal cover box above the door. Standard clear door opening widths are from 2'4" to 3'2".

#### FUNCTION:

**ELECTRIC** - A remote switch activates pneumatic cylinders which raise a vertical lock bar and propel the door open or closed. Individual lamp indicators on the control panel show locked/unlocked condition. A single switch can provide group unlocking.

**MECHANICAL** - In the absence of pneumatic or electrical power, doors may be individually unlocked with a manual release tool. Door movement is by hand and door will relock in either fully open or closed position.

**EMERGENCY GANG RELEASE** - In an emergency, all doors in a cell line may be simultaneously unlocked from a remote location using a pneumatic release system. While in emergency release mode, doors will not relock in any position.

## 8050L PNEUMATIC LOCKING SYSTEM



#### TECHNICAL DATA:

- COVER BOX:  
1' 0-3/4" H x 7-1/2" D
- COVER BOX MATERIAL:  
7 gauge steel plate
- HINGED PANEL:  
10 gauge steel
- DOOR ROLLERS:  
3" diameter, machined steel with sealed bearings
- VERTICAL LOCK BAR DIMENSIONS:  
5/8" SQ by full height of door
- FINISH: Prime paint
- DOOR HANGER:  
7 gauge steel plate
- ELECTRICAL: 24 VDC  
Minimum of five 24 volt conductors are required between the control point and the door, except for those models having the letter "K" (keyswitch) in the suffix. Keyswitch models require minimum six conductors.
- AIR REQUIREMENTS:  
Air consumption varies with door size at 80 PSIG.

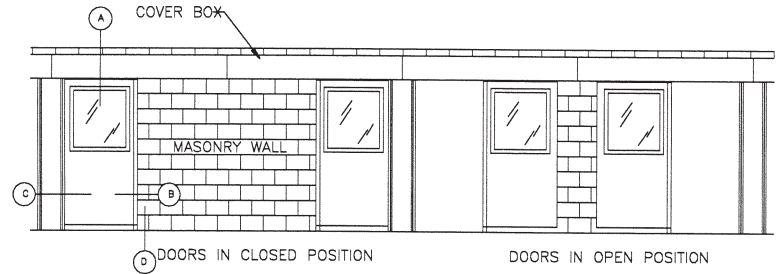


## FOR GROUPS OF SLIDING CELL DOORS

Maximum security.

## 8050L PNEUMATIC LOCKING SYSTEM

### 8050L PNEUMATIC SLIDING DOOR SYSTEM



### STANDARD FEATURES:

- Bottom door guide
- Door hanger
- Pneumatic emergency release
- Sloped-front cover box
- Hinged cover panel for maintenance access
- Vertical lock bar assembly
- ASTM F1643 Certified Horizontal and Vertical Impact Test-Grade 1
- Prime paint finish

### OPTIONAL FEATURES:

**PILASTER RELEASE** – (In lieu of pneumatic release system.) Hip-high paracentric keyed mechanical release mounted in a full-height pilaster adjacent to the receiving jamb. Specify “8050LP-1” keyed one side.

**ELECTRIC KEYSWITCH** – Paracentric or mogul keyed local electric control switch mounted below mechanical release mechanism in pilaster. Specify “8050LPK-1” for paracentric keyed one side. Specify “8050LPKM-1” for mogul keyed one side.

**HOT DIP GALVANIZED FINISH** - Available for external applications with lift-off cover panel only. Not available with standard hinged cover panel. Specify “G” when ordering. Example: 8050LP-1G

**FACTORY-WIRED CONTROL CABLE**  
Specify “8050LWC.”

### DOOR SCHEDULE

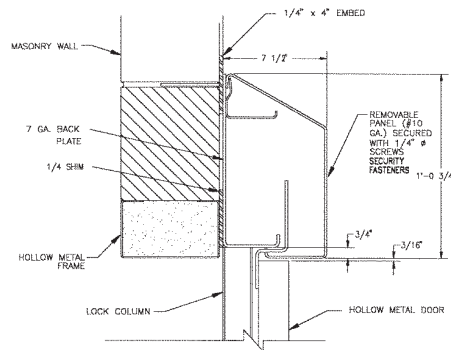
DOOR HEIGHT	CLEAR OPENING	FRAME OPENING	COVER BOX	DOOR WIDTH
8'-0" MAXIMUM	2'-4"	2'-4"	6'-0"	2'-6 1/2"
	2'-6"	2'-6"	6'-4"	2'-8 1/2"
	2'-8"	2'-8"	6'-8"	2'-10 1/2"
3'-0"	3'-0"	3'-0"	7'-4"	3'-2 1/2"
	3'-2"	3'-2"	7'-8"	3'-4 1/2"

NOTE: Cover box minimum length = (7" overtravel) + (2 x clear opening) + 9".

For doors exceeding 300 lbs. and/or greater than 3'-2" clear opening, contact factory.

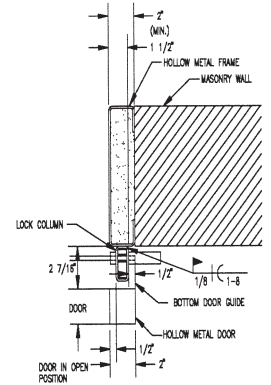
**THREE HOUR FIRE DOOR RATING AVAILABLE.**  
Standard cover box calculation does not apply to fire rated doors.

### DETAIL A – SLOPED BOX

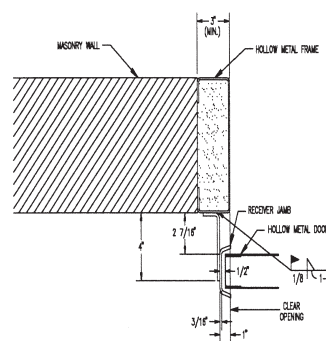


**COVER BOX SECTION**  
7-1/2" deep x 1'-0-3/4" tall cover box field welded 1" on 6" top and bottom

### DETAIL B – VERTICAL LOCK JAMB BAR

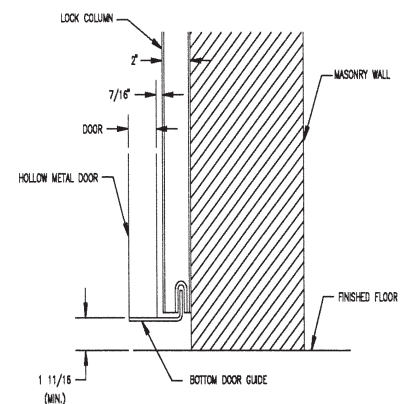


### DETAIL C – RECEIVER



**RECEIVER JAMB SECTION**  
Flush receiver jamb allows frame opening and clear opening to be the same.

### DETAIL D – BOTTOM DOOR GUIDE SECTION



### 8050L Shown

Note: Other system configurations and details are available.  
Call Customer Service for more information.



## FOR INDIVIDUAL SLIDING DOORS

Maximum security.

## 8065L PNEUMATIC LOCKING SYSTEM

### 8065L PNEUMATIC LOCKING SYSTEM

The 8065L series covers several versions of a system designed for locking, unlocking and propelling sliding doors in safety vestibules, in dayrooms or in high-traffic corridors.

Each 8065L model utilizes pneumatic cylinders to operate the door. Doors are locked at top and bottom in both the open and closed positions by means of a concealed vertical lock bar at the rear jamb of the door. The vertical lock bar is deadlocked at a third locking point inside the horizontal cover box above the door. The vertical lock bar is deadlocked at a third locking point inside the horizontal cover box above the door. Standard clear door opening widths available are 3'-0" to 4'-6".

#### FUNCTION:

**ELECTRIC** - A remote switch activates pneumatic cylinders which raise a vertical lock bar and propel the door open or closed.

**MECHANICAL** - Manual unlocking is provided for each device. After being manually released, door movement is by hand. The door automatically deadlocks when moved to the fully open or closed position.



#### TECHNICAL DATA:

- COVER BOX: 1' 0-3/4" H x 7-1/2" D
- COVER BOX MATERIAL: 7 gauge steel plate
- HINGED PANEL: 10 gauge steel
- DOOR ROLLERS: 3" diameter, with sealed bearings
- VERTICAL LOCK BAR DIMENSIONS: 5/8" SQ by full height of door
- FINISH: Prime paint
- DOOR HANGER: 7 gauge steel plate
- ELECTRICAL: 3.5 watts
- WIRE REQUIREMENTS: Minimum of five 24 volt conductors are required between the control point and the door, except for those models having the letter "K" (keyswitch) in the suffix. Keyswitch models require minimum six conductors.
- AIR REQUIREMENTS: Air consumption varies with door size at 80 PSIG.



## FOR INDIVIDUAL SLIDING DOORS

Maximum security.

## 8065L PNEUMATIC LOCKING SYSTEM

### 8065LP-2 PNEUMATIC SLIDING DOOR SYSTEM

#### STANDARD FEATURES:

- Bottom door guide
- Door hanger
- Local mechanical release at cover box
- Sloped-front cover box
- Hinged cover panel for maintenance access
- Vertical lock bar assembly
- ASTM F1643 Certified Horizontal and Vertical Impact Test-Grade 1
- Prime paint finish

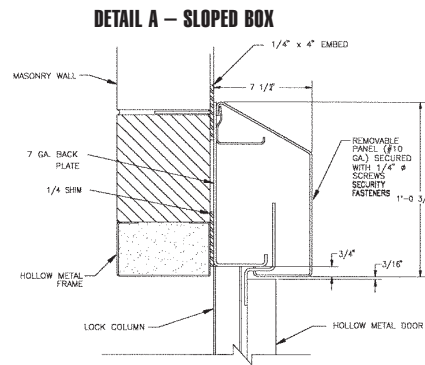
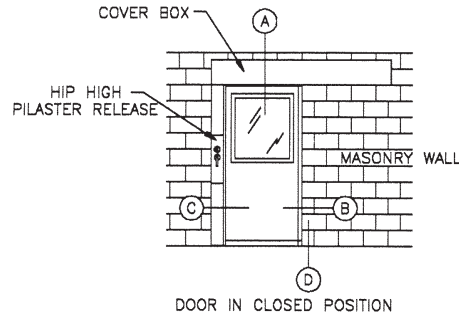
#### OPTIONAL FEATURES:

**PILASTER RELEASE** - Hip-high paracentric keyed mechanical release mounted in a full-height pilaster adjacent to the receiving jamb. Specify "8065LP-1" keyed one side. Specify "8065LP-2" keyed two sides.

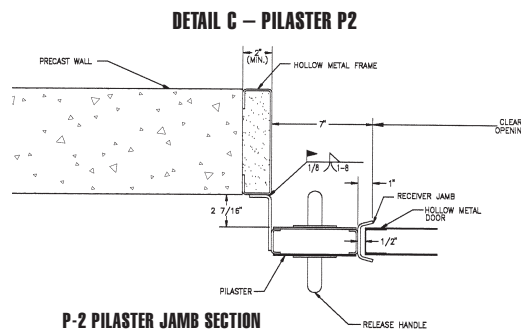
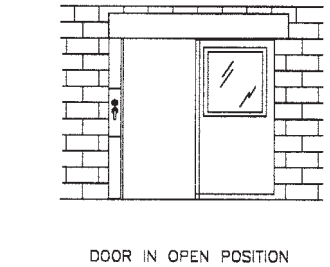
**ELECTRIC KEYSWITCH** - Paracentric or mogul keyed local electric control switch mounted below mechanical release mechanism in pilaster.

Specify "8065LPK-1" paracentric keyed one side. Specify "8065LPK-2" paracentric keyed two sides. Specify "8065LPKM-1" for mogul keyed one side. Specify "8065LPKM-2" for mogul keyed two sides.

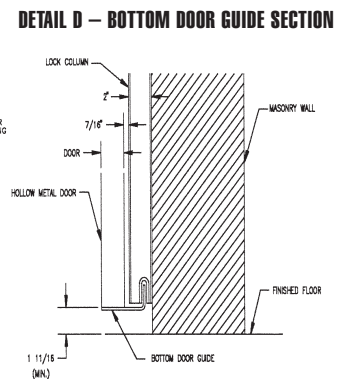
**HOT DIP GALVANIZED FINISH** - Available for external applications with lift-off cover panel only. Not available with standard hinged cover panel. Specify "G" when ordering. Example: 8065LP-1G



**COVER BOX SECTION**  
7-1/2" deep x 1'-0-3/4" tall cover box field welded 1" on 6" top and bottom



**P-2 PILASTER JAMB SECTION**  
Pilaster and receiver jamb requires frame opening to be 7" larger than clear opening.



#### 8065LP-2 Shown

Note: Other system configurations and details are available. Call Customer Service for more information.

DOOR SCHEDULE				
DOOR HEIGHT	CLEAR OPENING	FRAME OPENING	COVER BOX	DOOR WIDTH
8'-0" MAXIMUM	2'-4"	2'-4"	6'-0"	2'-6 1/2"
	2'-6"	2'-6"	6'-4"	2'-8 1/2"
	2'-8"	2'-8"	6'-8"	2'-10 1/2"
8'-0"	3'-0"	3'-0"	7'-4"	3'-2 1/2"
	3'-2"	3'-2"	7'-8"	3'-4 1/2"

NOTE: Cover box minimum length = (7" overtravel) + (2 x clear opening) + 9".

For doors exceeding 450 lbs. and/or greater than 4'-6" clear opening, contact factory.

**THREE HOUR FIRE DOOR RATING AVAILABLE.** Standard cover box calculation does not apply to fire rated door.



## DOOR MOUNTED FOR SMALL SWINGING DOORS

Maximum security.

## 1010A DEADLOCK

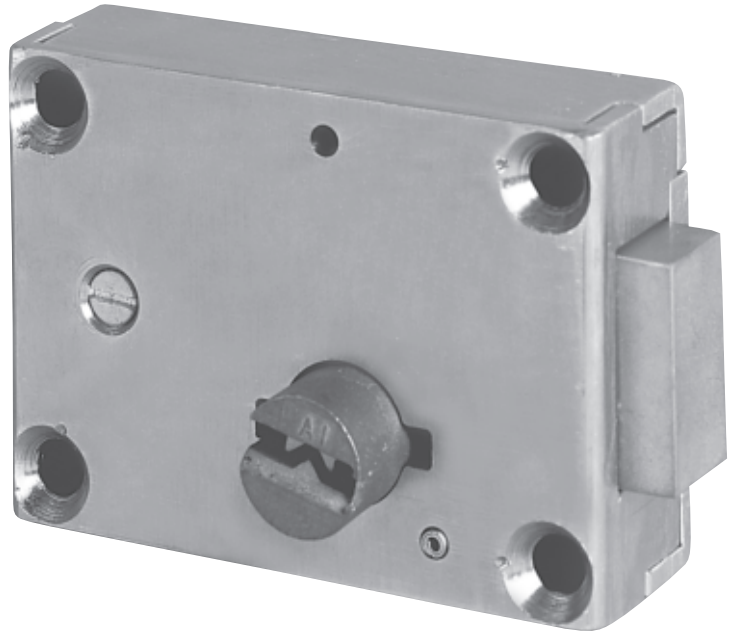
1010A-1: KEYED ONE SIDE  
1010A-2: KEYED BOTH SIDES

### APPLICATION:

For small swinging doors on access panels, plumbing chases, control cabinets, etc.

### FUNCTION:

Key activated locking and unlocking.



## DOOR MOUNTED FOR SMALL SWINGING DOORS

Maximum security.

### STANDARD FEATURES:

- Mechanical deadlock
- Six heavy-duty tumblers
- Mounting fasteners

### OPTIONAL FEATURES:

**EXTENDED BOLT** - Used for stop side mounting. Specify "1-1/4".

**HOLLOW METAL MOUNTING** - Used for hollow metal door application. Specify "HM." (See page G17)

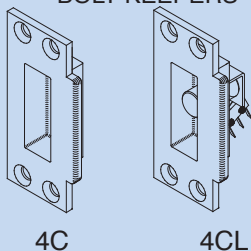
**GRATING DOOR MOUNTING** - Used for grating door application. Specify "G." (See page G17)

**PLATE DOOR MOUNTING** - Used for steel plate door application. Specify "P." (See page G17)

**BOLT KEEPER OPTIONS** - (Must be specified separately):  
4C - Bolt keeper with dustbox  
4CL - Bolt keeper with switch

**NOTE:** All bolt keepers are supplied with security fasteners.

#### BOLT KEEPERS



4C

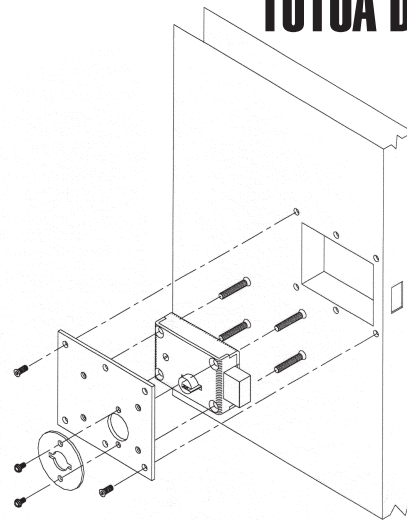
4CL

#### HOW TO ORDER:

Specify:

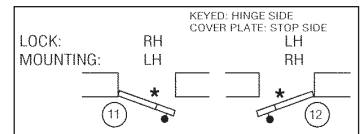
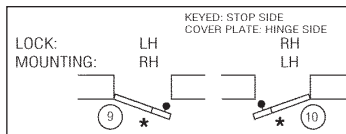
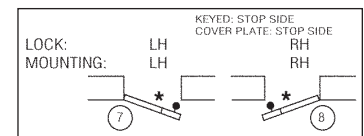
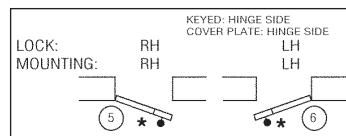
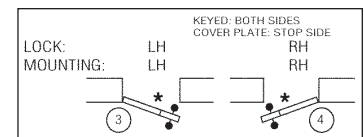
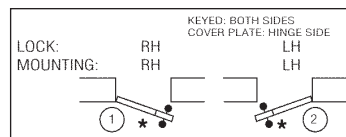
1. Quantity
2. Swing chart number (handing)
3. Bolt projection
4. Application (HM, G, P)
5. Key code instruction
6. Bolt keeper requirements

## 1010A DEADLOCK



HM Mounting Shown

**Swing Chart:** Specify circled swing number when ordering.



\* Indicates lock mounting/access plate side.

### TECHNICAL DATA:

- **STANDARD FINISH:** Galvanized
- **COVER:** Steel
- **CASE:** Steel
- **LOCKBOLT:** Steel
- **PARACENTRIC CYLINDER:** Silicon bronze/copper alloy
- **TUMBLERS:** Spring tempered brass. Tumblers actuated by phosphor bronze springs, six tumblers per lock
- **LOCK SIZE:** 4.4" L x 3.15" H x 1.35" TK
- **LOCK WEIGHT:** 4.5 lbs.
- **LOCKBOLT SIZE:** 1-1/2" H x 3/4" TK
- **LOCKBOLT THROW:** 5/8"
- **ASTM F1577 Certified Impact Test-Grade 1**



## DOOR MOUNTED FOR SMALL SWINGING DOORS

Medium and maximum security.

# 1010AM DEADLOCK

1010AM-1: KEYED ONE SIDE  
1010AM-2: KEYED BOTH SIDE

### APPLICATION:

For small swinging doors on access panels, plumbing chases, control cabinets, etc.

### FUNCTION:

Mogul key activated locking and unlocking.



## DOOR MOUNTED FOR SMALL SWINGING DOORS

Medium and maximum security.

### STANDARD FEATURES:

- Mechanical deadlock
- 6 pin tumblers
- Mounting fasteners

### OPTIONAL FEATURES:

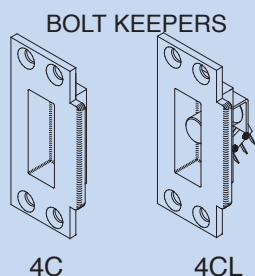
**EXTENDED BOLT** - Used for stop side mounting. Specify "1-1/4".

**HOLLOW METAL MOUNTING** - Used for hollow metal door application. Specify "HM." (See page G17)

MASTER KEYING AVAILABLE.

**BOLT KEEPER OPTIONS** -  
(Must be specified separately):  
4C - Bolt keeper with dustbox  
4CL - Bolt keeper with switch

**NOTE:** All bolt keepers are supplied with security fasteners.

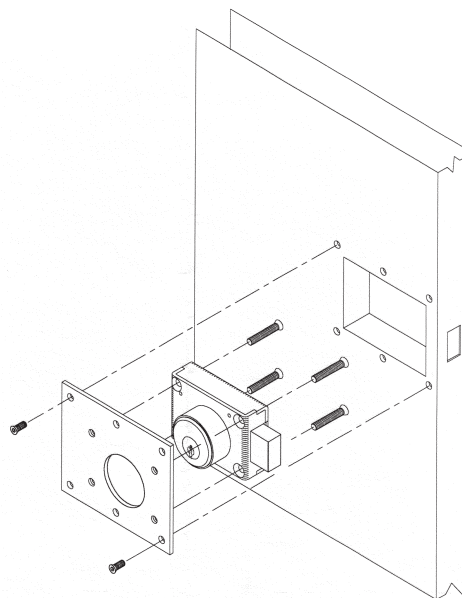


#### HOW TO ORDER:

Specify:

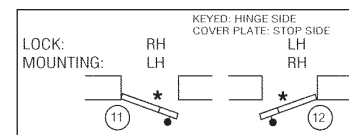
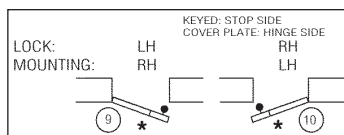
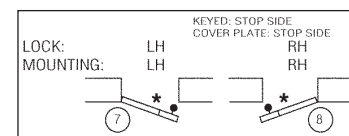
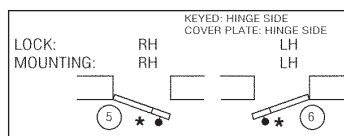
1. Quantity
2. Swing chart number (handing)
3. Bolt projection
4. Application (HM or surface)
5. Key code instruction
6. Bolt keeper requirements

## 1010AM DEADLOCK



HM Mounting Shown

**Swing Chart:** Specify circled swing number when ordering.



\* Indicates lock mounting/access plate side.

### TECHNICAL DATA:

- **STANDARD FINISH:**  
Galvanized
- **COVER:** Steel
- **CASE:** Steel
- **LOCKBOLT:** Stainless Steel
- **MOGUL CYLINDER:**  
US26D
- **MOGUL KEYS:**  
Nickel Silver
- **PIN TUMBLERS AND ENGAGING BALLS:**  
Combination nickel silver and stainless steel, 6 tumblers per lock.
- **LOCK CASE SIZE:**  
4.4" L x 3.15" H x 1.35" TK
- **LOCK WEIGHT:** 5.5 lbs.
- **LOCKBOLT SIZE:**  
1-1/2" H x 3/4" TK
- **LOCKBOLT THROW:** 5/8"



## DOOR MOUNTED FOR SMALL SWINGING DOORS

Medium security.

# 1017A SNAPLATCH

1017A-1: KEYED ONE SIDE

### APPLICATION:

For food passes, observation shutters and other small swinging doors where snaplatching is desired.

### FUNCTION:

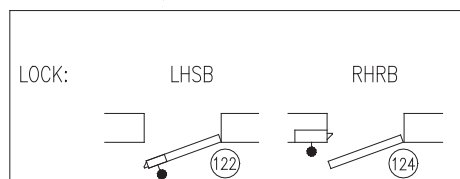
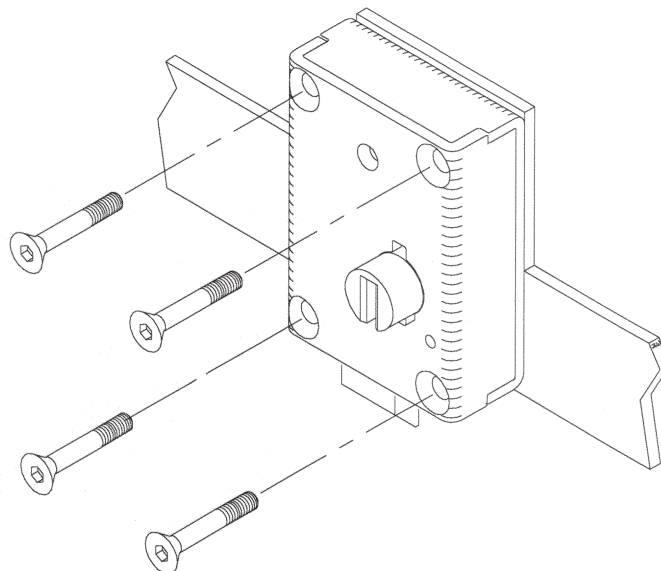
Key activated unlatching.  
Snaplatches upon closing.



## DOOR MOUNTED FOR SMALL SWINGING DOORS

Medium security.

### 1017A SNAPLATCH



### STANDARD FEATURES:

- Automatic snaplatch
- Six heavy-duty tumblers
- Mounting fasteners

### OPTIONAL FEATURES:

**EXTENDED BOLT** - Used for hollow metal door mounting. Specify "1 inch".

**THUMBTURN** - Retracts latchbolt without key. Specify "1017AT".

### HOW TO ORDER:

Specify:

1. Quantity
2. Key code instructions

### TECHNICAL DATA:

- **STANDARD FINISH:**  
Galvanized
- **COVER:** Steel
- **CASE:** Steel
- **LATCHBOLT:** Steel
- **PARACENTRIC CYLINDER:**  
Silicon bronze/  
copper alloy
- **TUMBLERS:** Spring tempered brass. Tumblers actuated by phosphor bronze springs, six tumblers per lock
- **LOCK SIZE:**  
4.4" L x 3.15" H x 1.35" TK
- **LOCK WEIGHT:** 3 lbs.
- **LATCHBOLT SIZE:**  
1-1/2" H x 3/4" TK
- **LATCHBOLT:**  
5/8" extended  
1/2" travel



## DOOR MOUNTED FOR SMALL SWINGING DOORS

Medium security.

# 1017AM SNAPLATCH

1017AM-1: KEYED ONE SIDE

### APPLICATION:

For food passes, observation shutters and other small swinging doors where snaplatching is desired.

### FUNCTION:

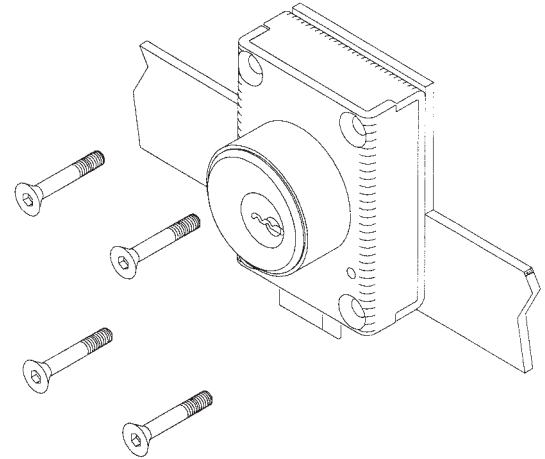
Key activated unlatching.  
Snaplatches upon closing.



## DOOR MOUNTED FOR SMALL SWINGING DOORS

Medium security.

## 1017AM SNAPLATCH



### STANDARD FEATURES:

- Automatic snaplatch
- Six pin tumblers
- Mounting fasteners
- Finish US26D

### OPTIONAL FEATURES:

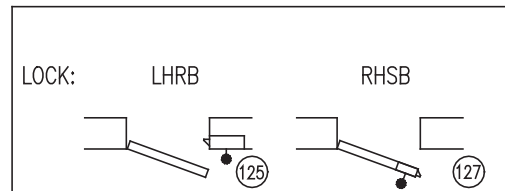
**EXTENDED BOLT** - Used for hollow metal door mounting. Specify "1 inch".

**NOTE:** Master keying available.

### HOW TO ORDER:

Specify:

1. Quantity
2. Key code instructions
3. 5/8" or 1" bolt extension



### TECHNICAL DATA:

- **STANDARD FINISH:**  
Galvanized  
Nickel Silver
- **COVER:** Steel
- **CASE:** Steel
- **LATCHBOLT:** Stainless steel
- **MOGUL CYLINDER:** US26D
- **PIN TUMBLERS & ENGAGING BALLS:** Combination nickel silver and stainless steel, 6 tumblers per lock.
- **MOGUL KEYS:**
- **LOCK CASE SIZE:** 4.4" L x 3.15" H x 1.35" TK
- **LOCK WEIGHT:** 5 lbs.
- **LATCHBOLT SIZE:** 1-1/2" H x 3/4" TK
- **LATCHBOLT:** 5/8" extended 1/2" travel



## DOOR MOUNTED FOR SLIDING DOORS

Maximum security.

# 1030A AUTOMATIC DEADLOCK

1030A-1: KEYED ONE SIDE  
1030A-2: KEYED BOTH SIDES

### APPLICATION:

High security sliding doors at holding cells, medium-to-low traffic corridors and cutoff doors. Sliding door normally requires a Model 1300 Track Set.

### FUNCTION:

Key activated unlocking. Hook bolt snaplocks upon closing. Final 3/8" of door travel pushes plunger pin against door jamb and deadlocks bolt.





## DOOR MOUNTED FOR SLIDING DOORS

Maximum security.

# 1030AD DEADLOCK

1030AD-1: KEYED ONE SIDE  
1030AD-2: KEYED BOTH SIDES

### APPLICATION:

High security sliding doors at holding cells, low traffic corridors and cutoff doors. Sliding door normally requires a Model 1300 Track Set.

### FUNCTION:

Key activated locking and unlocking of hook bolt. Does not snaplock upon closing.



## DOOR MOUNTED FOR SLIDING DOORS

Maximum security.

## 1030AD DEADLOCK

### STANDARD FEATURES:

- Manual deadlocking
- Six heavy-duty tumblers
- Mounting fasteners

### OPTIONAL FEATURES:

#### KNOB FUNCTION -

Knob will retract hook bolt. Knob on one side only. No key required. Specify "1030ADK." Knob finish US26D.

#### HOLLOW METAL MOUNTING -

Used for hollow metal door application. Specify "HM."

(See page F17)

#### GRATING DOOR MOUNTING -

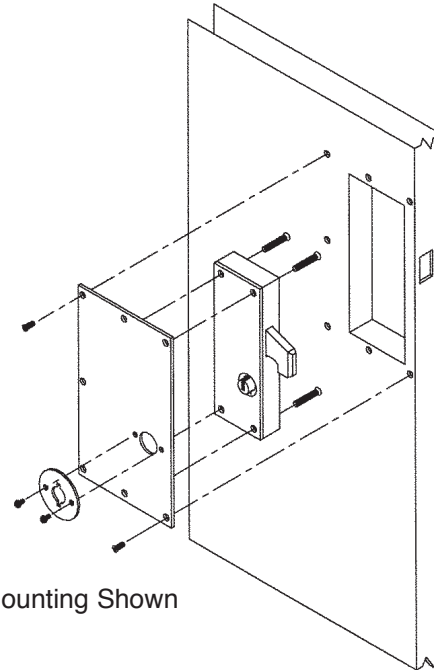
Used for grating door application. Specify "G."

(See page F17)

#### HOW TO ORDER:

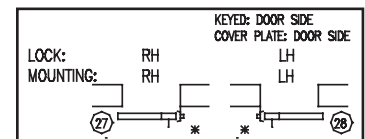
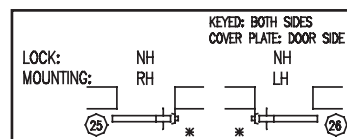
Specify:

1. Quantity
2. Swing chart number (handing)
3. Application (HM, G)
4. Key code instruction



HM Mounting Shown

**Swing Chart:** Specify circled swing number when ordering.



\* Indicates lock mounting/access plate side.

### TECHNICAL DATA:

- **STANDARD FINISH:** Galvanized
- **COVER:** Cold-rolled steel
- **CASE:** Ductile iron
- **LOCKBOLT:** Cold-rolled, case-hardened steel
- **PARACENTRIC CYLINDER:** Silicon bronze/copper alloy
- **TUMBLERS:** Spring tempered brass. Tumblers actuated by phosphor bronze springs, six tumblers per lock
- **LOCK SIZE:** 10" H x 3-1/2" W x 1-1/2" TK
- **LOCK WEIGHT:** 12 lbs.
- **LATCHBOLT SIZE:** 1-5/8" H x 1/2" TK



## DOOR MOUNTED FOR SWINGING DOORS

Maximum security.

### 1070A COMBINATION SPRING AND DEADLOCK

1070A-1: KEYED ONE SIDE  
1070A-2: KEYED BOTH SIDES

#### APPLICATION:

For high security swinging doors where slamlocking is desired.

#### FUNCTION:

Key activated unlocking. Automatically snaplocks and deadlocks upon closing. Latchbolt unlocks with a half turn of the key.

### 1070AK.a COMBINATION SPRING AND DEADLOCK

1070AK.a-1: KEYED ONE SIDE  
1070AK.a-2: KEYED BOTH SIDES

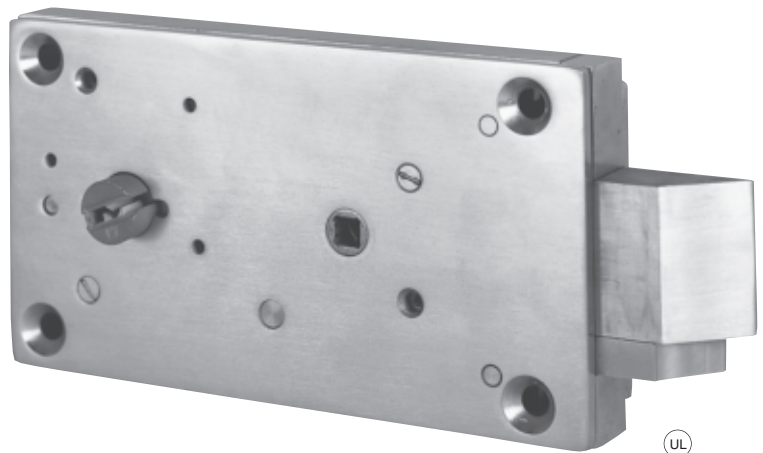
#### APPLICATION:

For high security swinging doors where slamlocking is desired along with the convenience of knob operation in areas where manual deadlocking with a key is desired.

#### FUNCTION:

Automatically snaplocks and deadlocks upon closing. Knobs unlock with a 1/2 turn of the key. Quarter turn of the key in the opposite direction deadlocks the knobs. Knob will retract the latchbolt in both directions, except when deadlocked. One side or two knob operation.

## 1070A COMBINATION SPRING AND DEADLOCK



## 1070AK.a COMBINATION SPRING AND DEADLOCK



## DOOR MOUNTED FOR SWINGING DOORS

Maximum security.

### STANDARD FEATURES:

- Mechanical deadlock
- Six heavy-duty tumblers
- Mounting fasteners
- 470C Bolt Keeper with dust box

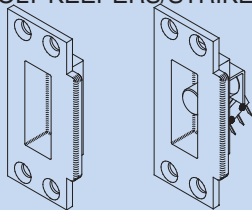
### OPTIONAL FEATURES:

**HOLLOW METAL MOUNTING -**  
Used for hollow metal door application.  
Specify "HM." (See page F17)

**GRATING DOOR MOUNTING -**  
Used for grating door application.  
Specify "G." (See page F17)

**PLATE DOOR MOUNTING -**  
Used for steel plate door application.  
Specify "P." (See page F17)  
470CL Bolt Keeper with switch

#### BOLT KEEPERS/STRIKES



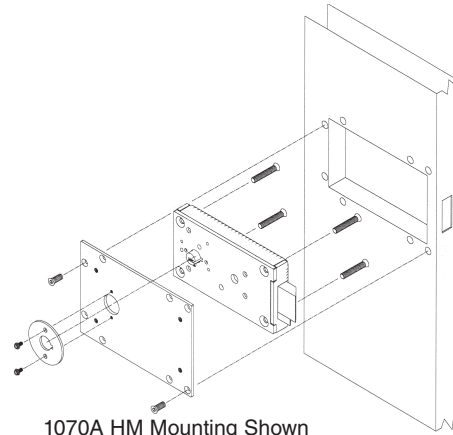
470C (Standard)      470CL (Optional)

Note:  
Bolt Keepers are supplied with security fasteners.

#### HOW TO ORDER:

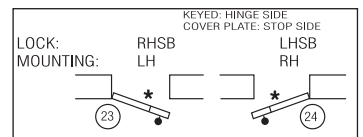
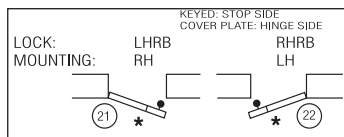
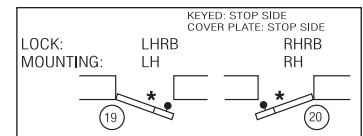
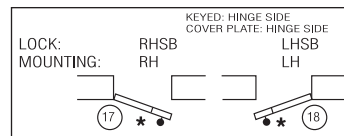
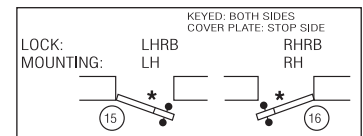
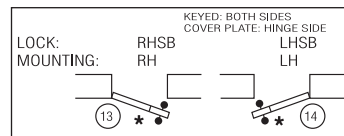
- Specify:
1. Quantity
  2. Swing chart number (handing)
  3. Application (HM, G, P)
  4. Key code instruction
  5. Bolt keeper requirements

## 1070A/1070AK.a COMBINATION SPRING AND DEADLOCK



1070A HM Mounting Shown

**Swing Chart:** Specify circled swing number when ordering.



\* Indicates lock mounting/access plate side.

### TECHNICAL DATA:

- **STANDARD FINISH:** Galvanized
- **COVER:** Steel
- **CASE:** Steel
- **LATCHBOLT:** Stainless steel with (2) 1/4" diameter case-hardened steel insert pins
- **DEADLOCK ACTUATOR:** Stainless steel
- **PARACENTRIC CYLINDER:** Silicon bronze/copper alloy
- **TUMBLERS:** Spring tempered brass. Tumblers actuated by phosphor bronze springs, six tumblers per lock
- **LOCK SIZE:** 9" L x 5" H x 1-1/2" TK
- **LOCK WEIGHT:** 11 lbs.
- **LATCHBOLT SIZE:** 2" H x 3/4" TK
- **LATCHBOLT THROW:** 3/4"
- **DEADLOCK ACTUATOR SIZE:** 3/4" x 1/2"
- UL Listed for use on three-hour fire doors.
- ASTM F1577 Certified Impact Test-Grade 1



## DOOR MOUNTED FOR SWINGING DOORS

Maximum security.

## 1080A DEADLOCK

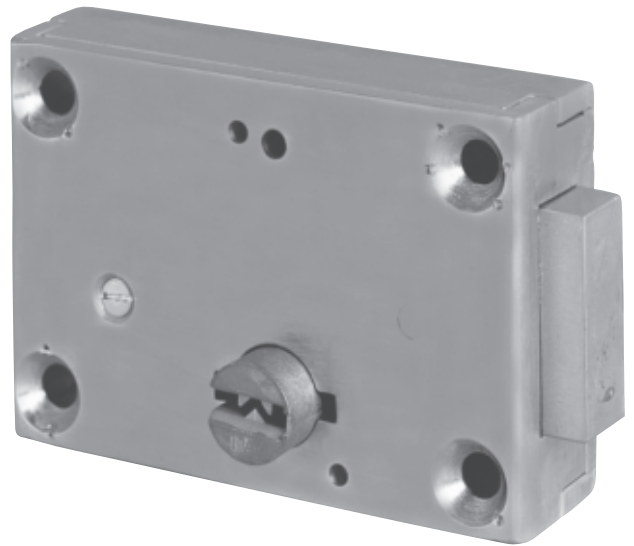
1080A-1: KEYED ONE SIDE  
1080A-2: KEYED BOTH SIDES

### APPLICATION:

For swinging cell, corridor, storage room and high security doors where slamlocking is not required.

### FUNCTION:

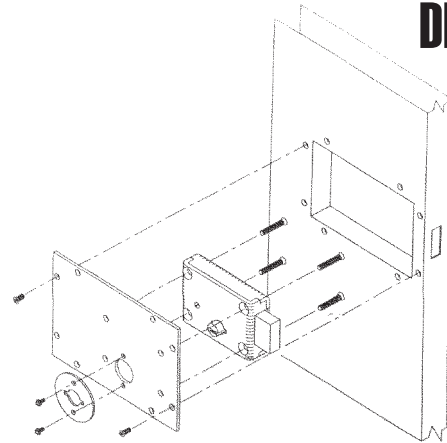
Key activated locking and unlocking. Deadlocks in both locked and unlocked position.



## DOOR MOUNTED FOR SWINGING DOORS

Maximum security.

## 1080A DEADLOCK



HM Mounting Shown

### STANDARD FEATURES:

- Manual deadlock
- Six heavy-duty tumblers
- Mounting fasteners

### OPTIONAL FEATURES:

**DEADLOCK INDICATION** - Directional arrow indicates if lockbolt is extended or retracted. Specify "SD".

1080ASD-1 Keyed one side

1080ASD-2 Keyed both sides

**EXTENDED BOLT** - Used for stop side mounting. Specify "1-1/4".

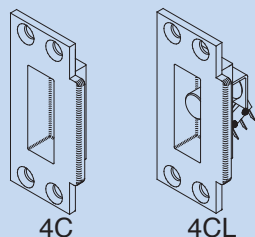
**HOLLOW METAL MOUNTING** - Used for hollow metal door application. Specify "HM." (See page F17)

**GRATING DOOR MOUNTING** - Used for grating door application. Specify "G." (See page F17)

**PLATE DOOR MOUNTING** - Used for steel plate door application. Specify "P." (See page F17)

**BOLT KEEPER OPTIONS** - (Must be specified separately):  
 4C - Bolt keeper with dustbox  
 4CL - Bolt keeper with switch  
 NOTE: Keepers supplied with security fasteners.

#### BOLT KEEPERS/STRIKES

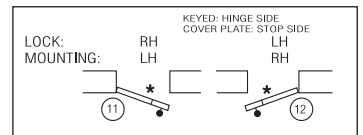
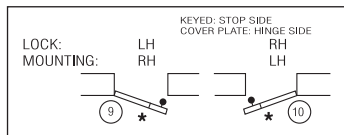
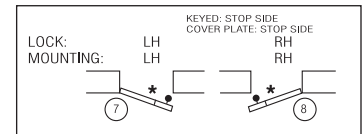
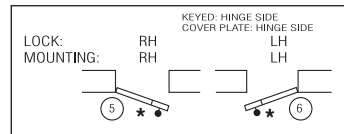
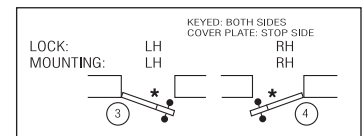
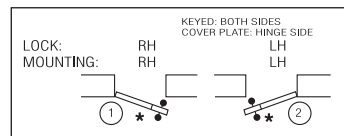


#### HOW TO ORDER:

Specify:

1. Quantity
2. Swing chart number (handing)
3. Bolt projection
4. Application (HM, G, P)
5. Key code instruction
6. Bolt keeper requirements

**Swing Chart:** Specify circled swing number when ordering.



\* Indicates lock mounting/access plate side.

### TECHNICAL DATA:

- **STANDARD FINISH:** Galvanized
- **COVER:** Steel
- **CASE:** Steel
- **LOCKBOLT:** Cold-rolled steel with (3) 1/4" diameter case-hardened steel insert pins
- **PARACENTRIC CYLINDER:** Silicon bronze/copper alloy
- **TUMBLERS:** Spring tempered brass. Tumblers actuated by phosphor bronze springs, six tumblers per lock
- **LOCK SIZE:** 5-1/2" L x 3-7/8" H x 1-1/2" TK
- **LOCK WEIGHT:** 7 lbs.
- **LOCKBOLT SIZE:** 2" H x 3/4" TK
- **LOCKBOLT THROW:** 3/4"
- **ASTM F1577 Certified Impact Test-Grade 1**



## DOOR MOUNTED FOR SWINGING DOORS

Maximum security.

# 10370A CREMONE BOLT SET WITH SNAPLATCH

10370AA-1: ACTIVE-KEYED  
ONE SIDE

10370AA-2: ACTIVE-KEYED  
BOTH SIDES

### APPLICATION:

For single swinging doors or active leaf of swinging pair of doors in high security areas where slamlocking is desired. Use 10380AI for inactive leaf.

### FUNCTION:

Key activated locking and unlocking. Combination snaplatch and deadlock for center locking. Head and foot rods secure doors at top and bottom for three point locking. The rods are operated by lever handle. Foot rod floor receptacle is available.



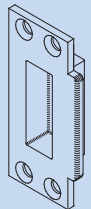
## DOOR MOUNTED FOR SWINGING DOORS

Maximum security.

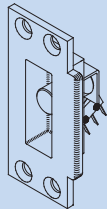
### STANDARD FEATURES:

- Automatic snaplatch
- Six heavy-duty tumblers
- Three-point locking
- Lever handles
- Strike (470C) with security fasteners
- Mounting fasteners
- Head and foot rods
- Rods manufactured for standard 7'0" door height. For doors less than 7'0", field cut rods to suit. For doors over 7' 0", contact Customer Service
- 10105R Floor receptacle  
See page F17 for 10105 and 10105R

#### BOLT KEEPERS/STRIKES



470C  
(Standard)



470CL  
(Optional)

#### HOW TO ORDER:

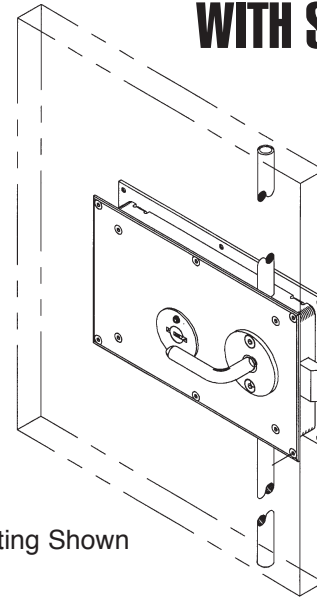
Specify:

1. Quantity
2. Swing chart number (handing)
3. Key code instructions
4. 1-3/4" or 2" door

### OPTIONAL FEATURE FOR PAIR OF DOORS:

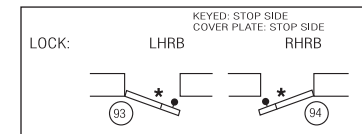
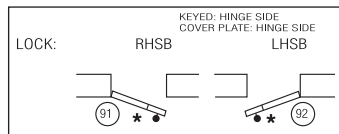
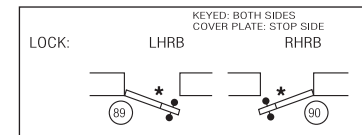
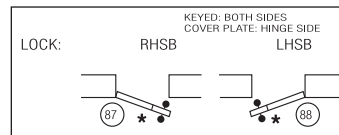
10105 HEAD OR FOOT BOLT

## 10370A CREMONE BOLT SET WITH SNAPLATCH



HM Mounting Shown

**Swing Chart:** Specify circled swing number when ordering.



\* Indicates lock mounting/access plate side.

### TECHNICAL DATA:

- STANDARD FINISH: Galvanized (Lever is US26)
- LOCKBOLT: Cold-rolled steel with hardened steel insert pins
- PARACENTRIC CYLINDER: Silicon bronze/copper alloy
- TUMBLERS: Spring tempered brass. Tumblers actuated by phosphor bronze springs, six tumblers per lock.
- LOCK SIZE: 15-5/16" L x 9-1/2" H x 2-1/8" TK
- LOCK WEIGHT: 60 lbs.
- LATCHBOLT SIZE: 2" x 3/4"
- LATCHBOLT THROW: 3/4"



## DOOR MOUNTED FOR SWINGING DOORS

Maximum security.

# 10380A CREMONE BOLT SET WITH DEADLOCK

10380AA-1: ACTIVE-KEYED  
ONE SIDE

10380AA-2: ACTIVE-KEYED  
BOTH SIDES

10380AI-1: INACTIVE-KEYED  
ONE SIDE

10380AI-2: INACTIVE-KEYED  
BOTH SIDES

### APPLICATION:

For single swinging doors or swinging pair of doors in high security areas where slamlocking is not required.

### FUNCTION:

Key activated locking and unlocking. Doors secured at top and bottom by head and foot rods and in the center by deadlock. Lever handle operates head and foot rods except when in deadlock. Foot rod receptacle is available.



## DOOR MOUNTED FOR SWINGING DOORS

Maximum security.

### STANDARD FEATURES:

- Manual deadlock
- Six heavy-duty tumblers
- Three-point locking
- Lever handles
- Mounting fasteners
- Head and foot rods
- Rods manufactured for standard 7'0" door height. For doors less than 7'0", field cut rods to suit. For doors over 7'0", contact Customer Service.
- 10105R Floor receptacle  
See page F16 for 10105 and 10105R

### HOW TO ORDER:

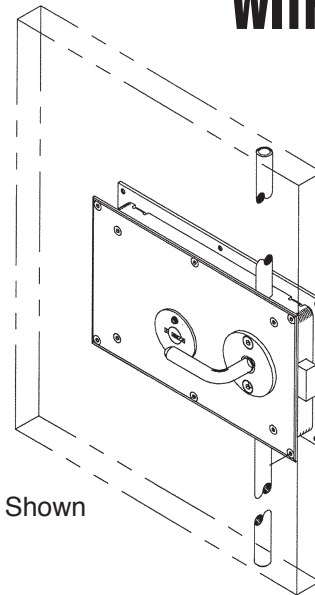
Specify:

1. Quantity
2. Swing chart number (handing)
3. Key code instructions
4. 1-3/4" or 2" door.

### OPTIONAL FEATURES FOR PAIR OF DOORS:

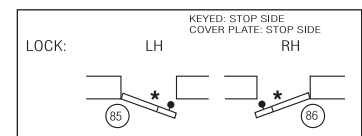
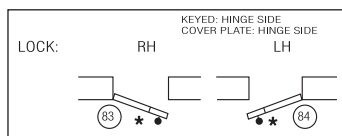
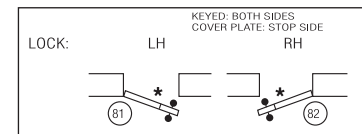
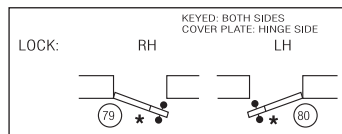
10105 HEAD OR FOOT BOLT

## 10380A CREMONE BOLT SET WITH DEADLOCK



HM Mounting Shown

**Swing Chart:** Specify circled swing number when ordering.



\* Indicates lock mounting/access plate side.

### TECHNICAL DATA:

- **STANDARD FINISH:**  
Galvanized (Lever is US26)
- **LOCKBOLT:** Cold-rolled steel with hardened steel insert pins
- **PARACENTRIC CYLINDER:** Silicon bronze/copper alloy
- **TUMBLERS:** Spring tempered brass. Tumblers actuated by phosphor bronze springs, six tumblers per lock.
- **LOCK SIZE:**  
15-5/16" L x 9-1/2" H x 2-1/8" TK
- **LOCK WEIGHT:** 55 lbs.
- **LOCKBOLT SIZE:**  
2" x 3/4"
- **LOCKBOLT THROW:** 3/4"



## DOOR MOUNTED FOR SWINGING DOORS

Minimum and medium security.

# 10500 INSTITUTIONAL MORTISE LOCK

### APPLICATION:

Designed for minimum and medium security areas where lever or knob operation is required. Available in a variety of styles utilizing several deadbolt/latchbolt combinations.

### FUNCTION:

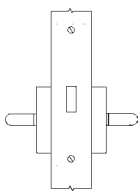
A variety of functions are available to meet job requirements. See function chart.



## FUNCTIONS

## 10500 INSTITUTIONAL MORTISE LOCK FOR SWINGING DOORS

**10501**

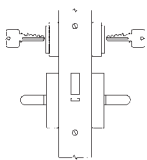


**10501 Passage or Closet Latch**

- Latchbolt operated by lever either side.

F01

**10509**

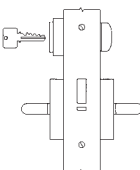


**10509 Apartment, Exit or Toilet Lock**

- Latchbolt operated by lever either side except when outside lever is locked by key from inside.
- When outside lever is locked, latchbolt is operated by key outside, lever inside.
- Deadlock actuator.

F09

**10504**

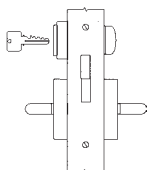


**10504 Entry Lock**

- Latchbolt operated by lever either side, except when outside lever is locked by inside thumbturn.
- When outside lever is locked, latchbolt operated by key outside, lever inside.
- Deadlock actuator.

F04

**10513**

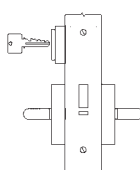


**10513 Dormitory or Exit Lock**

- Latchbolt operated by lever from either side.
- Deadbolt projected by key outside, and thumbturn inside.
- Lever inside simultaneously operates both bolts.

F13

**10505**

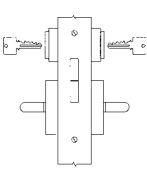


**10505 Classroom Lock**

- Latchbolt operated by lever either side, except when outside lever is locked by key outside.
- Lever inside is always active.
- Deadlock actuator.

F05

**10514**



**10514 Store Door Lock**

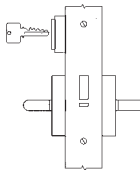
- Latchbolt operated by lever either side.
- Deadbolt operated by key both sides.

**10514 Modified Store Door Lock**

- Latchbolt operated by lever either side.
- Latchbolt and deadbolt operated by key either side.

F14

**10507**

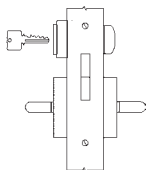


**10507 Storeroom or Closet Lock**

- Latchbolt operated by key outside, lever inside.
- Lever outside always rigid.
- Deadlock actuator.

F07

**10515**



**10515 Modified Hotel Guest Lock**

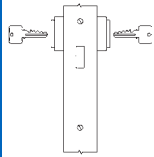
- Latchbolt operated by lever inside or by key outside.
- Deadbolt operated by thumbturn inside or by key outside.
- Lever outside always rigid.
- Lever inside simultaneously operates both bolts.
- Deadlock actuator.

F15 Modified

## FUNCTIONS

## 10500 INSTITUTIONAL MORTISE LOCK FOR SWINGING DOORS

10516

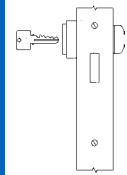


F16

### 10516 Deadlock

- Deadbolt is operated by key either side.

10517

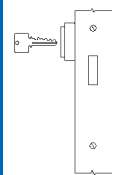


F17

### 10517 Deadlock

- Deadbolt is operated by key outside, thumbturn inside.

10518

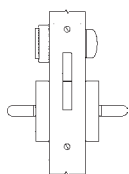


F18

### 10518 Deadlock

- Deadbolt is operated by key from outside.

10519

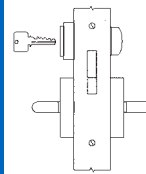


F19

### 10519 Privacy, Bedroom or Bath Lock

- Latchbolt operated by lever either side.
- Deadbolt operated by thumbturn inside, emergency release outside.
- Lever inside simultaneously operates both bolts.
- No key operation

10520

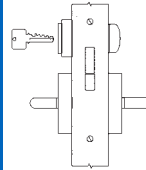


F20

### 10520 Apartment Corridor Door Lock

- Deadbolt operated by key outside or thumb turn inside.
- Key outside operates latchbolt and deadbolt.
- Lever inside simultaneously operates both bolts.
- Lever outside is locked when deadbolt is projected.
- When deadbolt is retracted, outside lever is unlocked.
- Latchbolt is deadlocked when deadbolt is projected.

10521

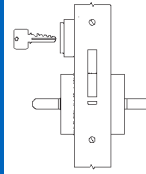


F21

### 10521 Entrance or Storeroom Door Lock

- Latchbolt is operated by lever either side.
- Deadbolt operated by key outside, thumbturn inside.

10536



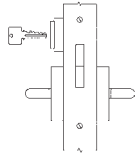
### 10536 Lockset

- Inmate Function
- Latchbolt and deadbolt operated by master key outside.
- Day key outside and lever inside operate latchbolt only, except when deadbolt is extended.
- Lever outside always rigid.
- Deadlock actuator.

## FUNCTIONS

## 10500 INSTITUTIONAL MORTISE LOCK FOR SWINGING DOORS

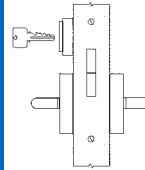
10561



### 10561 Lockset

- Latchbolt operated by lever either side, except when deadbolt is extended.
- Key outside operates deadbolt.

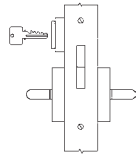
10565



### 10565 Lockset

- Latchbolt operated by lever inside, except when deadbolt is extended.
- Lever outside always rigid.
- Master key outside operates latchbolt and deadbolt.
- Day key operates latchbolt only.

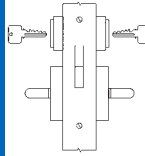
10562



### 10562 Lockset

- Latchbolt operated by lever inside, except when deadbolt is extended.
- Lever outside always rigid.
- Key outside operates latchbolt and deadbolt.

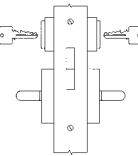
10566



### 10566 Lockset

- Levers both sides always rigid.
- Latchbolt and deadbolt operated by master key both sides.
- Day key operates latchbolt only both sides.

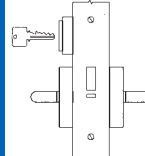
10563



### 10563 Lockset

- Latchbolt operated by lever inside, except when deadbolt is extended.
- Lever outside always rigid.
- Key both sides operates latchbolt and deadbolt.

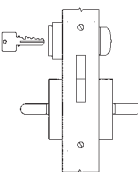
10571



### 10571 Lockset

- Levers always rigid both sides.
- Latchbolt operated by key outside.
- Deadlock actuator.

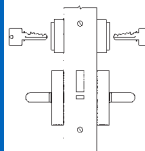
10564



### 10564 Lockset

- Latchbolt operated by lever inside, except when deadbolt is extended.
- Lever outside always rigid.
- Key outside operates latchbolt and deadbolt.
- Thumbturn inside operates deadbolt.

10572



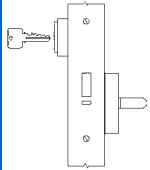
### 10572 Lockset

- Levers both sides always rigid.
- Latchbolt operated by key both sides.
- Deadlock actuator.

## FUNCTIONS

## 10500 INSTITUTIONAL MORTISE LOCK FOR SWINGING DOORS

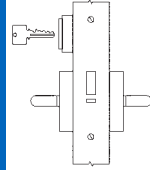
10573



### 10573 Lockset

- Lever inside operates latchbolt.
- Key outside operates latchbolt.
- Deadlock actuator.
- No outside lever.

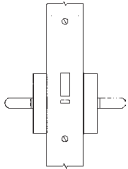
10577



### 10577 Lockset

- Latchbolt operated by lever both sides unless locked out by key outside.
- Key outside operates latchbolt.
- Deadlock actuator.

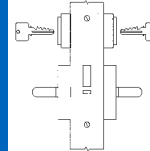
10574



### 10574 Lockset

- Latchbolt operated by lever inside.
- Lever outside always rigid.
- Deadlock actuator.

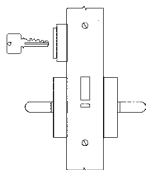
10578



### 10578 Lockset

- Latchbolt operated by lever both sides unless locked out by key either side.
- Key both sides operates latchbolt.
- Deadlock actuator.

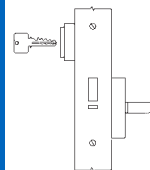
10575



### 10575 Lockset

- Latchbolt operated by lever inside unless locked out by key outside.
- Lever outside always rigid.
- Key outside operates latchbolt.
- Deadlock actuator.

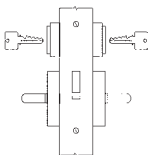
10579



### 10579 Lockset

- Latchbolt operated by lever inside unless locked out by key outside.
- Key outside operates latchbolt.
- No outside lever.
- Deadlock actuator.

10576



### 10576 Lockset

- Latchbolt operated by lever inside unless locked out by key outside.
- Lever outside always rigid.
- Key both sides operates latchbolt.
- Deadlock actuator.

## DOOR MOUNTED FOR SWINGING DOORS

Minimum and medium security.

## 10500 INSTITUTIONAL MORTISE LOCK

### STANDARD FEATURES:

- Lever handles
- Mogul cylinder(s)
- Strike 500B with replaceable high-performance plastic insert in lip. Includes security fasteners
- Faceplate with security fasteners
- Mounting fasteners
- High security rose with security fasteners
- Finish US32D

### OPTIONAL FEATURES:

- BUILDER'S HARDWARE CYLINDER(S) – Specify "BHC."
- STANDARD KNOBS – Specify "K."
- SAFETY KNOBS – Specify "SK."
- LEVER/SAFETY KNOB – Specify "L/SK."
- LEVER/STANDARD KNOB – Specify "L/K."
- STRIKE WITH DUST BOX – Specify "500C."
- STRIKE WITH INDICATION – Specify "500CL."
- DEADBOLT INDICATION – Visual indication of deadbolt position. Green indicates extended (bolted) and Red indicates retracted (unbolted) position. Mounts on front of door, hinge side only. Specify "SD."

NOTE: For functions without outside or inside handles, we recommend the use of a door pull.

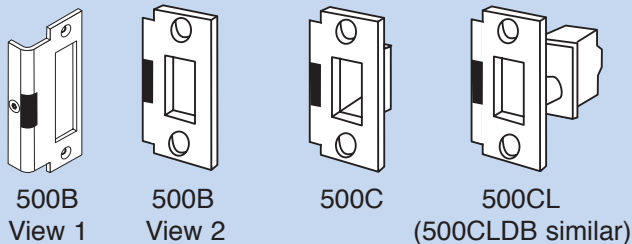
NOTE: If levers, knobs and safety knobs are used in combination, specify hinge or stop side for each type. (Specify "L" for lever, "K" for standard knob and "SK" for safety knob.)

**BOLT STRIKE OPTIONS-**  
(Must be specified separately):

- 500C - Bolt strike with dust box
- 500CL - Bolt strike with switch
- 500CLDB - For use on deadbolt locks

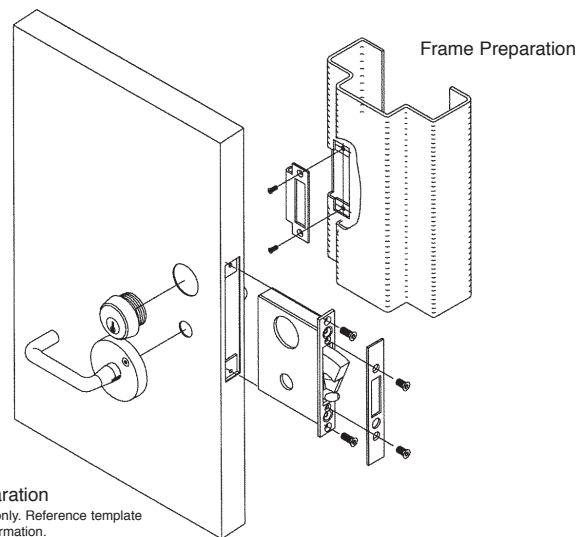
NOTE: All boltstrikes are supplied with security fasteners.

### BOLT STRIKES



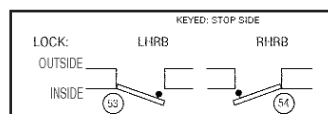
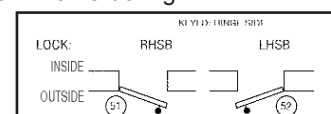
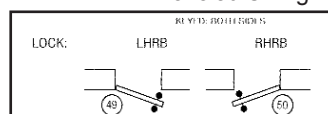
### HOW TO ORDER:

- Specify:
1. Quantity
  2. Swing chart number (handing)
  3. Function
  4. Cylinder type
  5. Strike type
  6. Knob/lever requirements
  7. Key code instructions
  8. Specify 1-3/4" or 2" door.



Door Preparation  
NOTE: Drawing for illustration only. Reference template for specific information.

**Swing Chart :** Compare swing to function listed for lock. Specify circled swing number when ordering.



NOTE: When knob or lever lockout functions are required, please indicate if stop or hinge side is considered room interior.

### TECHNICAL DATA:

- STANDARD FINISH: US32D
- COVER: 7 gauge steel
- CASE: 7 gauge steel
- STRIKE: 10 gauge stainless steel only
- FACE PLATE: 16 gauge stainless steel
- LATCHBOLT: Cast stainless steel
- DEADBOLT: Stainless steel
- DEADLOCK ACTUATOR: Stainless steel

- LEVER HANDLES: Stainless steel
- LATCHBOLT SIZE: 1-1/8" H x 3/4" TK
- KEY CYLINDER: Mogul or Builder's
- DEADBOLT SIZE: 1-1/4" H x 3/4" TK
- LOCK WEIGHT: 20 lbs.
- LATCHBOLT THROW: 3/4"
- DEADBOLT THROW: 1"
- FITS ANSI DOOR PREP. A115.1
- Listed for use on three-hour fire doors, except 10516, 10517 and 10518.
- ASTM F1577 Certified Impact Test-Grade 1



## MANUAL SLIDING DOORS

Maximum security.

## 1300 TRACK SET



Shown with 1058M Lock and  
Optional Lock Mounting Pilaster

### APPLICATION:

For manually operated sliding doors where mechanical or electric single-point locking is acceptable.

### FUNCTION:

Used with 1030A or 1030AD deadlock. For electric applications, the 1300 Track Set is used with the 1058M Lock (requires optional lock mounting pilaster).

### STANDARD FEATURES:

- Adjustable door hanger and roller assembly
- Removable cover
- Door silencers
- Bottom door guide

**CAUTION:** Doors equipped with track and hanger sets are free-wheeling and may present a staff hazard. They should never be left unlocked or under the control of an inmate.

### OPTIONAL FEATURES:

- Indication switch in track housing

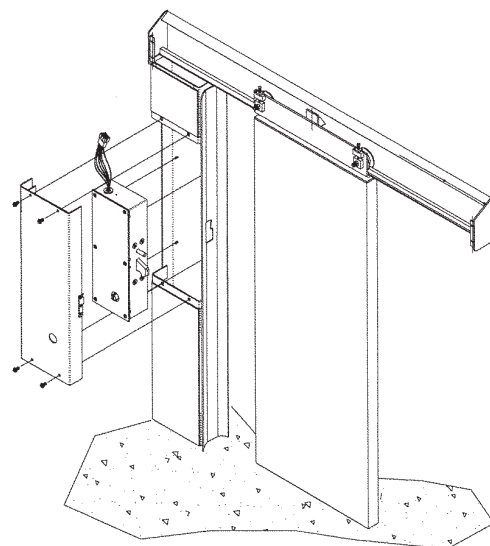
### TECHNICAL DATA:

- COVER BOX: 10 gauge steel
- ROLLERS: 2-3/4" outside diameter with permanently lubricated roller bearings

### HOW TO ORDER:

Specify:

1. Door width  
Available in three sizes:  
2' 0" to 2' 6"  
2' 6" to 3' 0"  
3' 0" to 3' 6"
2. Wall construction type  
Masonry (M)  
Grating (G)
3. Lock type





**SECUR-PAK SYSTEMS****Maximum Security****4150 PEDESTRIAN  
SWING GATE SYSTEM****4150 PEDESTRIAN  
SWING GATE SYSTEM**

The 4150 Pedestrian Swing Gate System allows gatekeepers the safe, secure movement of inmates with minimal maintenance required.

**FUNCTION:**

This system is isolated from the fence-line and commonly used when perimeter fence alarm systems are employed as a separate entrance for all pedestrian access in accordance with Industry Standards (UL 325).

**DURABLE:**

Constructed from 10 gauge hot dip galvanized.

**SECURE:**

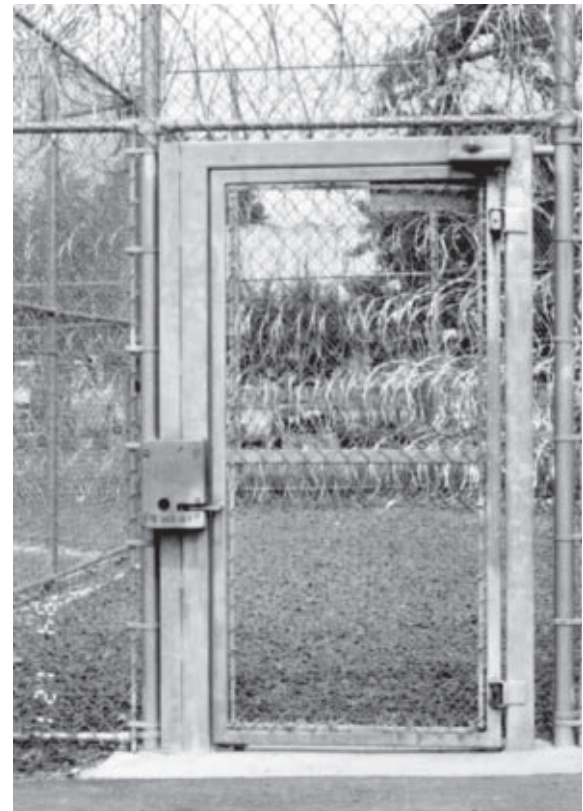
Fully assembled at the factory and shipped to the project site ready for installation. The controlled swinging motion of this pedestrian gate system assures continual lock alignment with minimal maintenance required.

**VERSATILE:**

The 4150 Swing Gate Systems are offered in 42", 48" and 60" clear opening x 84" clear height. The gate panel configurations may include cuff or shackle ports.

**SAFETY:**

UL 325 regulations require a separate entrance for all pedestrian access. Prevents liability associated with allowing pedestrian traffic to enter through a vehicle sallyport.

**TECHNICAL DATA:****GATE SIZES:**

Standard gate opening widths 42", 48" and 60" with an 84" clear height.

**FRAME:**

10 gauge galvanized steel.

**HINGES:**

Hinges shall have a door thrust capacity of 600 lb per pair

**LOCK:**

Locking may consist of an electro-mechanical lock, padlock or mechanical lock



## SECUR-PAK SYSTEMS Maximum Security

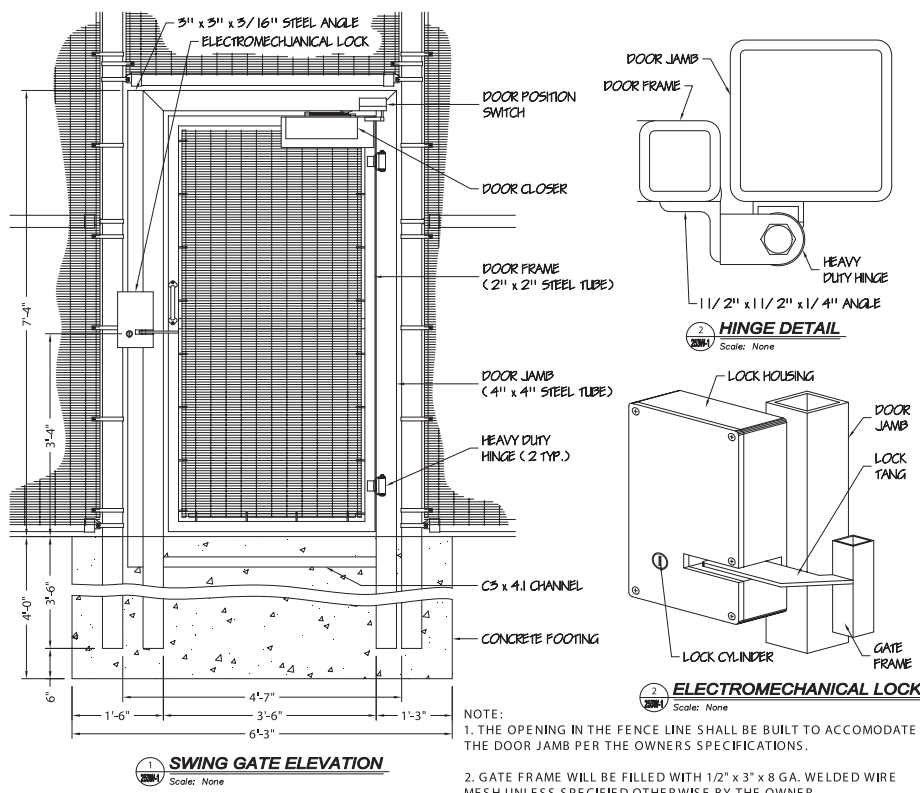
# 4150 PEDESTRIAN SWING GATE SYSTEM

### STANDARD FEATURES:

- 1/2"x3"x8" gauge weld mesh
- Required mesh fittings
- Door closer
- Hinges
- Door position switch with electric locks
- 6 tumbler paracentric keying
- Southern Steel 1050 series Electro-mechanical lock, padlock or mechanical lock

### OPTIONAL FEATURES:

- Remote control panel
- Door Pull
- Card reader, intercoms, cameras, keypads and other access control equipment as needed
- Cuffports or shackleports
- Custom color coated to match fence
- Special keying
- Chain Link, ornamental or expanded metal gate panel filler



**SECUR-PAK SYSTEMS****Maximum Security****4200A PEDESTRIAN SWING GATE SYSTEM**

The 4200A Pedestrian Swing Gate System is manufactured to meet demanding requirements of maximum security and to provide the safe, secure movement of inmates with minimal maintenance.

**FUNCTION:**

Designed for use on pedestrian entrances in a perimeter security fence. System is equipped with Southern Steel 1050 electro-mechanical lock. A remote switch activates the electric lock. In the event of an emergency, lock is keyed both sides with paracentric key manual operation.

**DURABLE:**

Constructed from 10 gauge hot dip galvanized steel.

**SECURE:**

Fully assembled at the factory and shipped to the project site ready for installation. The controlled swinging motion of this pedestrian gate system assures continual lock alignment with minimal maintenance required.

**VERSATILE:**

The 4200A Swing Gate Systems are offered in 42" and 60" clear opening x 84" clear height.

**SAFETY:**

UL 325 regulations require a separate entrance for all pedestrian access. Prevents liability associated with allowing pedestrian traffic to enter through a vehicle sallyport.

**4200A PEDESTRIAN SWING GATE SYSTEM****TECHNICAL DATA:****GATE SIZES:**

Standard gate opening widths 42" and 60" with an 84" clear height.

**FRAME:**

10 gauge galvanized steel.

**HINGES:**

Hinges shall have a door thrust capacity of 600 lb per pair

**LOCK:**

Locking may consist of an electro-mechanical lock or mechanical lock

**GATE PANEL FILLER:**

Galvanized 2" x 2" x 3/8" woven rod mesh.



## SECUR-PAK SYSTEMS Maximum Security

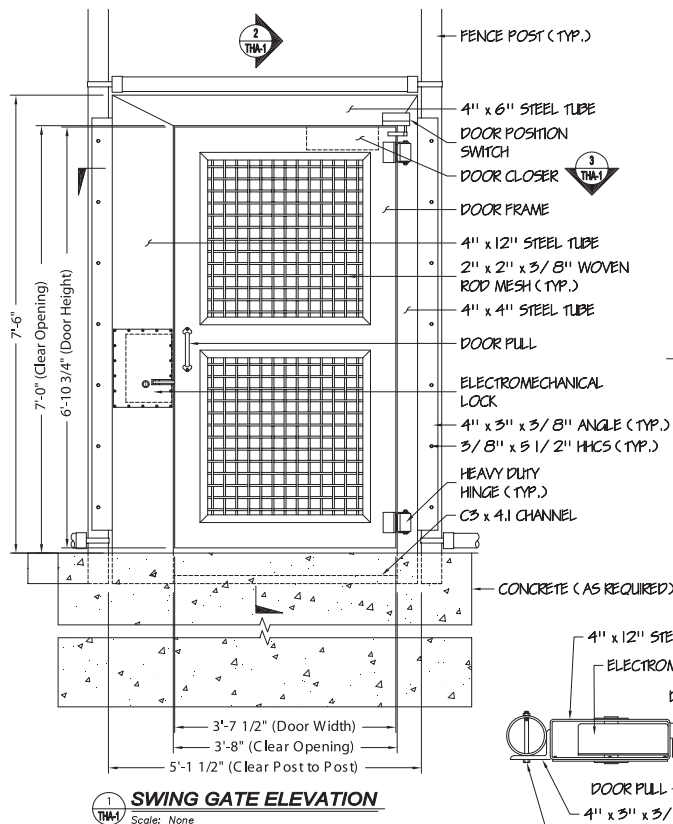
# 4200A PEDESTRIAN SWING GATE SYSTEM

### STANDARD FEATURES:

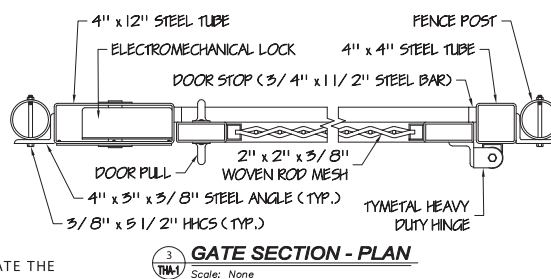
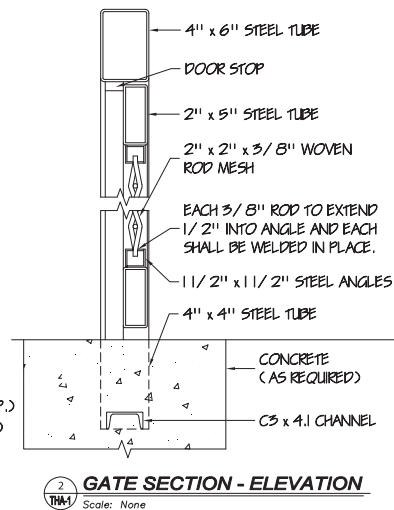
- 2"x2"x3/8" woven rod mesh
- Door closer
- Hinges
- Door position switch with electric locks
- 6 tumbler parecentric keying
- Southern Steel 1050 series Electro-mechanical lock or mechanical lock
- Door pull

### OPTIONAL FEATURES:

- Remote control panel
- Card reader, intercoms, cameras, keypads and other access control equipment as needed
- Special keying



NOTE:  
THE OPENING IN THE FENCE LINE SHALL BE BUILT TO ACCOMMODATE THE  
DOOR JAMB PER THE OWNERS SPECIFICATIONS.



**SECUR-PAK SYSTEMS****Maximum Security****4100 PEDESTRIAN  
SLIDING GATE SYSTEM**

The 4100 Pedestrian Sliding Gate System is designed for safe, secure movement of inmates.

**FUNCTION:**

A remote switch activates a motor that raises a vertical lock bar and propels the gate open or closed.

**DURABLE:**

This system is fully assembled at the factory and shipped to the project site ready for installation. The required gate/door panel is generally included and installed on the system. The assembled system is factory tested before shipment.

**SECURE:**

10 gauge galvanized steel fully protects both the drive and locking assemblies against inclement weather and tampering. The 4100 mechanically deadlocks the gate panel in both the open and closed position at two points internally.

**ACCESSIBLE:**

If the unit must be opened manually, access covers are provided on both sides of the gate and locked with five tumbler paracentric key deadbolt locks.

**ENGINEERED:**

Southern Folger offers a complete line of Computer Aided Design (CAD) services from the conceptual stages of your project to the final submittal drawings.

**4100 PEDESTRIAN  
SLIDING GATE SYSTEM****TECHNICAL DATA:**

**GATE SIZES:** Standard gate opening widths 48" for 4100-4 or 60" for 4100-5 and 84" in height.

**ELECTRICAL:** MOTOR 1/4 HP 208/220 VAC or 460 VAC Three Phase 110 or 220 VAC Single Phase

**CONTROL WIRING:** 110 VAC

**MOTOR HOUSING:** 10 gauge galvanized steel containing NEMA 4 electrical enclosure; all components meet the requirements of UL. Access doors are equipped with 6 tumbler paracentric mechanical lock.

**GATE PANEL:** Fabricated from 2" square hot dip galvanized steel 1/2" x 3/8" gauge weld mesh as filler mesh.

**DOOR JAMB/VERTICAL MEMBERS:** Gate panel shall be free of hooks or lugs used for locking or any other purpose.



## SECUR-PAK SYSTEMS Maximum Security

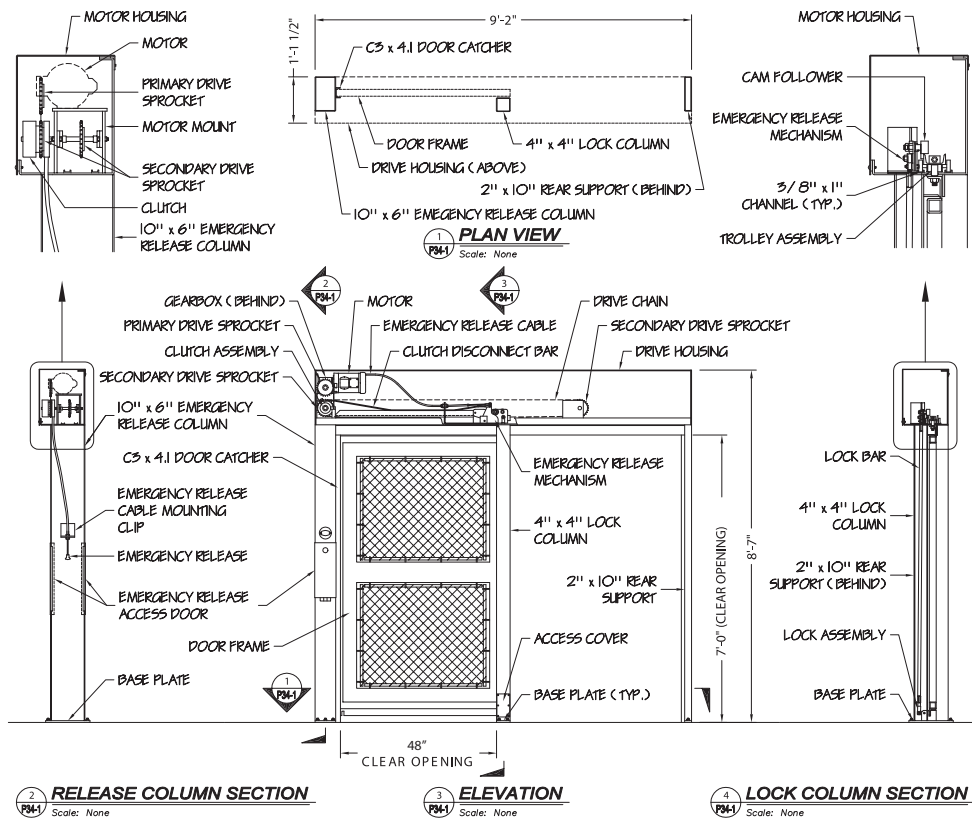
# 4100 PEDESTRIAN SLIDING GATE SYSTEM

### STANDARD FEATURES:

- 208/220 VAC Three-Phase
- Easy-to-reach mechanical operation and maintenance access
- Enclosed drive with internal locking of the gate in both the open and closed position.
- Six tumbler paracentric key motor box and manual release locks

### OPTIONAL FEATURES:

- Remote control panel
- 460 VAC 60Hz three phase power
- 110 or 220 VAC 60Hz single phase power
- 50 Hz motors provide for international projects
- Photo eyes
- Card readers, cameras, intercoms, key pads and other access control equipment as needed
- Special keying



**SECUR-PAK SYSTEMS****Maximum Security****4400 FORTIFIED IMPACT  
GATE SYSTEM-FIGS****4400 FORTIFIED IMPACT  
GATE SYSTEM-FIGS**

Designed to deter vehicular threats to personnel and property. Also protects against unauthorized pedestrian traffic. The only certified vehicle gate that is crash tested for openings up to 288"(24') based on the U.S. Department of State vehicle crash performance guidelines.

**CERTIFICATION:**

The 4400 is certified by the United States Department of State (DOS) as an active anti-ram vehicle barrier.

**COMPONENTS:**

Mounted to the gate frame is the fortifying member, which consists of structural steel tubing housing one-inch cables, precast concrete anchors and a cast in place connection beam. When the gate system is fully closed, the precast anchors are engaged by specially designed locking mechanisms that lock the fortifying member in place.

**PROTECTION:**

The action of the locking mechanism interconnects the gate frame, fortifying member, concrete anchors and connecting concrete beam into single utilized protection system capable of restraining the encroaching vehicle to a predetermined crash rating.

**PERFORMANCE:**

Fortified Impact Gate System (FIGS) was physically crash tested in November 2002, received a DOS rating of K4/L3 currently designated K4 (15,000 lb vehicle @ 30 miles per hour) limiting vehicle penetration to 8". The FIGS was also crash tested @ 50 miles per hour, limiting penetration of a 15,000 lb vehicle to 18 feet 9 inches.

The combination of an independently tested, DOS certified gate and a gate with opening spans of up to 24 feet is unmatched in the industry.

**TECHNICAL DATA:**

**GATE SIZES:** Standard gate opening width 10' to 24' with 1' increments and gate panel height of 4' to 16' with 1' increments.

**ELECTRICAL:** Variable speed controller with a 1 HP, 208, 230, VAC single-phase 208, 203 VAC three-phase.

**CONTROL WIRING:** 110 VAC

**GEAR BOX HEATER:** Self-contained electrical wiring. Feeds off main power connection.

**MOTOR HOUSING:** 10 gauge galvanized steel containing NEMA 4 electrical enclosure, all components meet the requirements of UL. Access doors are equipped with 6 tumbler paracentric mechanical lock.

**SUPPORT STRUCTURE:** Either overhead or cantilever sliding gate system.

**CONTROL WIRING:** 24 VAC

**DRIVE CHAIN:** #50 roller chain



## SECUR-PAK SYSTEMS

Maximum Security

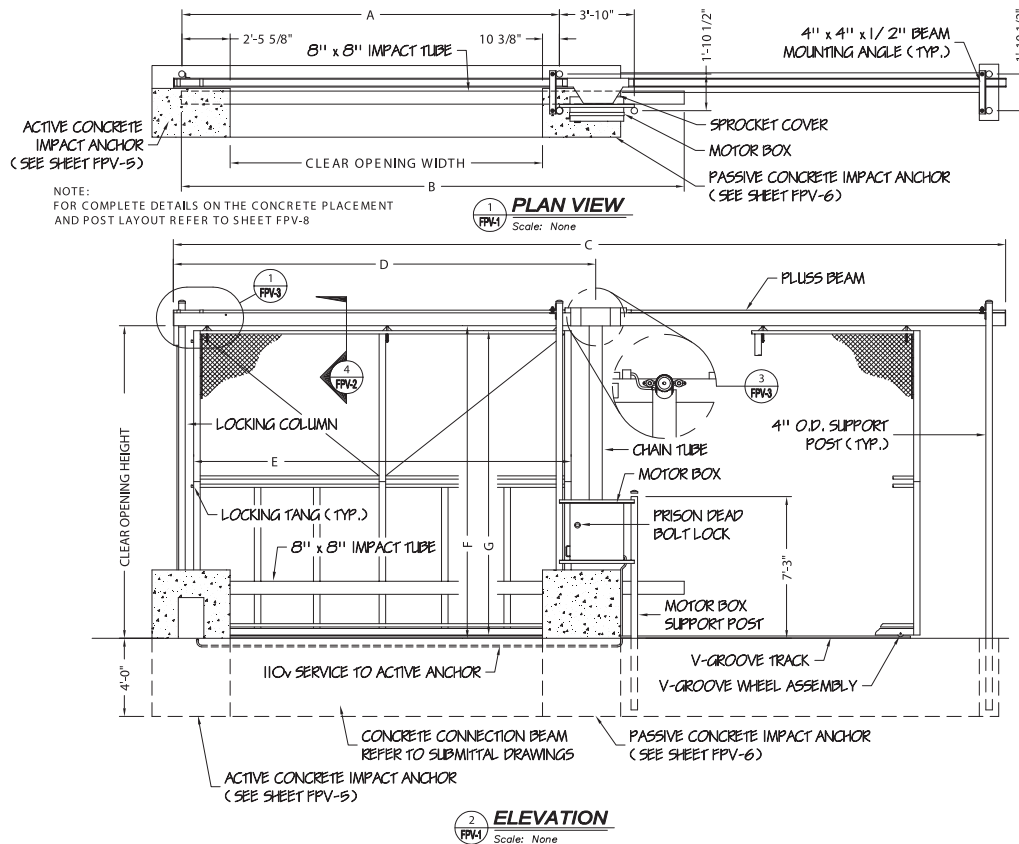
# 4400 FORTIFIED IMPACT GATE SYSTEM-FIGS

### STANDARD FEATURES:

- 208 VAC Three-Phase
- Easy-to-reach mechanical operation and maintenance access
- Six tumbler paracentric key motor box locks
- Manual hand cranking
- Gate sizes 10'-24' wide, 4' to 16' gate panel height
- Rebar pre-fabricated and ready for installation.
- U.S. Department of State Crash Tested

### OPTIONAL FEATURES:

- Remote control panel
- 230 VAC 60Hz three phase power
- 280 or 230 VAC 60Hz single phase power
- 50 Hz motors provided for international projects
- Custom gate configuration
- Photo eyes, safety edge
- Card readers, key pads intercoms, free exit loops, other access control equipment as needed
- Special keying



## SECUR-PAK SYSTEMS

Maximum Security

### 4500 RAM BARRIER

#### 4500 RAM BARRIER

This system offers enhanced sallyport protection against unwanted vehicles.

#### FUNCTION:

System is manually operated.

#### LOCKING:

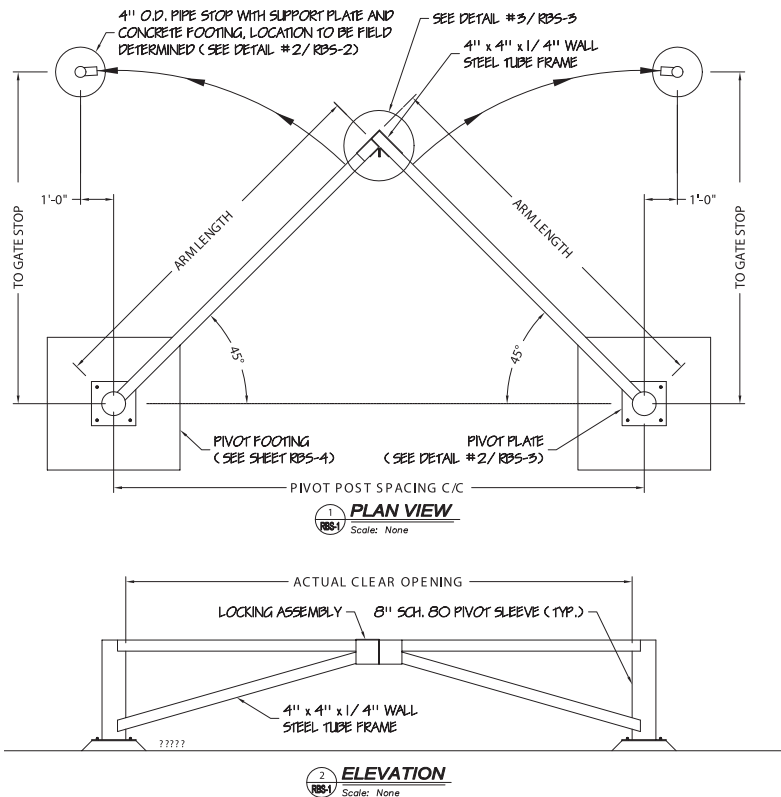
When in the fully closed position system is pad lockable.

#### COMPONENTS:

System is shipped complete, including all required rebar that will be preformed (cut and bent) to expedite the installation process.

#### REFERENCE:

The 4500 Ram Barrier meets Federal Bureau of Prisons Design Guidelines.



#### TECHNICAL DATA:

- Up to 16' wide (maximum width)
- Two 4" x 4" x 1/4" wall steel tube frame
- Pivots 45 degrees to open
- Secured in center by locking tangs that can also be padlocked for additional security when the sallyport is not in use.
- Pivot posts held securely in place by two reinforced concrete footings.
- Rebar and two 4" OD support posts are provided to support this device in the open position.



**SECUR-PAK SYSTEMS****Maximum Security****9100A VEHICLE GATE OPERATOR**

The 9100A Operator is designed for use on vehicular entrances in a perimeter security fence.

**FUNCTION:**

A remote switch activates a motor which raises a vertical lock bar and propels the gate open or closed.

**MECHANICAL:**

In an electrical emergency, the gate is manually unlocked and propelled open by use of a hand crank located in the motor box.

**SAFETY:**

The 9100 gate operator meets current UL 325 requirements for Class IV (Guarded Applications). Primary entrapment protection is provided by constant pressure pushbutton controls with the audio alarm establishes the secondary safety device to meet UL 325 safety requirements. Additionally, the gate operator is UL listed for Class III.

**SECURE:**

Sallyport locking system that features a keyless three-point positive locking capability making it impossible to open gate except by electrical operation or emergency hand-cranking.

**SERVICABLE:**

Motor assembly is located at ground level providing easy access for routine inspection of the motor unit and limit assembly.

**DURABLE:**

The entire drive and locking assemblies are encased in a 10 gauge hot-dip galvanized steel enclosure providing superior protection from inmate tampering and inclement weather conditions.

**9100A  
VEHICLE GATE OPERATOR****TECHNICAL DATA:**

- **GATE SIZES:**  
Standard gate clear opening width 12' to 30' with 1' increments and 14' to 18' clear height with 1' increments
- **ELECTRICAL:**  
Electro-mechanical (non-solid state) Controller, motor 1 HP, 110, 120 Volt 60Hz, Single Phase – 208/230, 460 Volt 60Hz, Three-Phase.  
Variable Speed Controller, motor 1 HP, 208, 230 Volt Single-Phase – 208, 230 Volt Three-Phase. This electrical package offers gate speeds up to 2.2 feet per second.
- **CONTROL WIRING:**  
24 Volt
- **GEAR BOX HEATER:**  
110 Volt electrical service providing power directly to thermostat controlling the internal gearbox heater
- **MOTOR BOX HOUSING:**  
10 gauge galvanized steel containing NEMA 4 electrical enclosure meeting the requirements of UL and equipped with a 6 tumbler paracentric mechanical lock.
- **OVERHEAD TRACK:**  
Two 8" (2.03 mm) structural steel channels joined together weighing a total of 34.5 lbs/ft (15.65kg/m).
- **GATE TROLLEYS:**  
Milled from a single block of stainless steel and use 2 sealed ball bearings per wheel, 6 wheels per trolley.
- **SUPPORT STRUCTURE:**  
4" OD schedule 40 pipe
- **LOCKING COLUMN:**  
W-4 "H" beam @ 13 lbs/ft (101.6 mm x 18.9 kg/m)
- **DRIVE CHAIN:**  
#60 roller chain



## SECUR-PAK SYSTEMS Maximum Security

# 9100A VEHICLE GATE OPERATOR

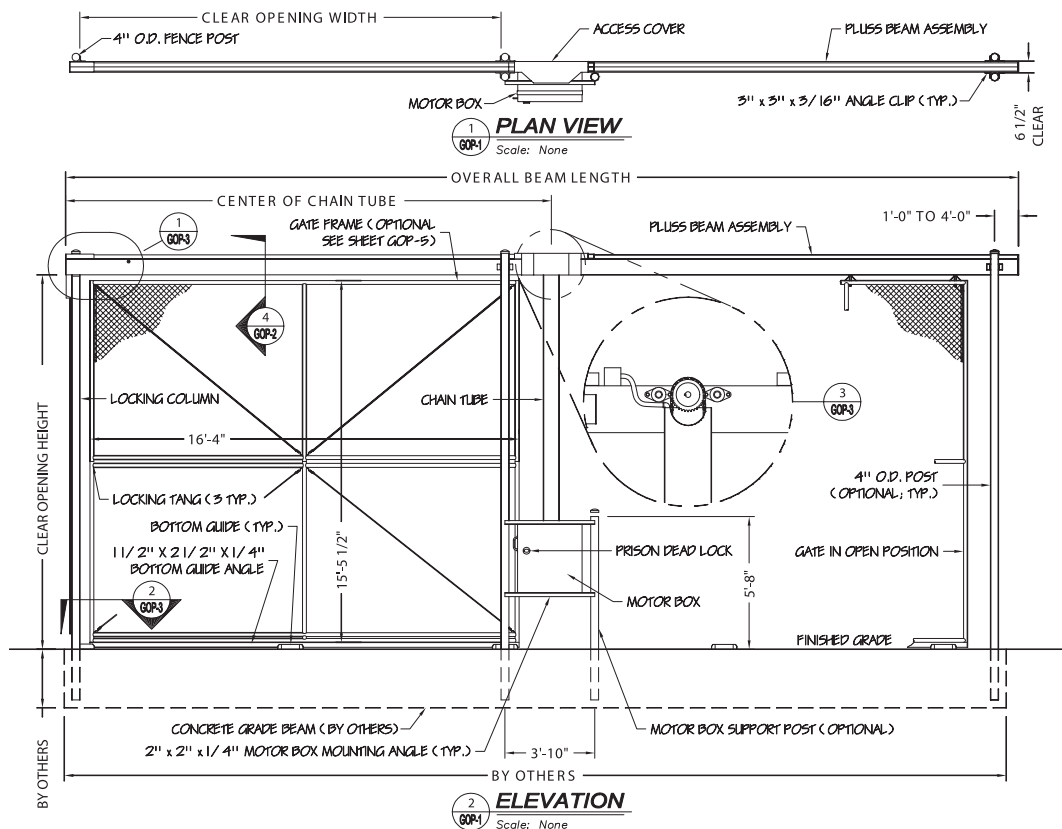
### STANDARD FEATURES:

- Six tumbler paracentric key motor box locks
- 208 VAC Three-Phase
- Easy-to-reach mechanical operation and maintenance access
- Three-point locking
- Enclosed drive
- Manual hand cranking
- Gate sizes 12'-30' wide, 14' to 18' high
- Gear box heater: 110 Volt electrical service providing power directly to thermostat controlling the internal gearbox heater

### OPTIONAL FEATURES:

- Remote control panel
- 110 or 220 Volt 60Hz single-phase power
- 460 Volt 60Hz three-phase power
- 50 Hz motors are offered for international projects
- Custom Gate openings
- Photo eyes and/or safety edges
- Special keying

**NOTE:** The optional features will increase lead time. Also, additional charges will apply depending on application.



**SECUR-PAK SYSTEMS****Maximum Security****9200 VERTICAL GATE SYSTEM**

The 9200 Vertical Lift Gate System is used for vehicular entrances with no space to retract a horizontal side gate without hitting an obstacle. This system provides complete vertical lift gate solutions for openings up to 50 feet in opening width.

**FUNCTION:**

A remote pushbutton control activates the motor which and propels the gate.

**MECHANICAL:**

In an electrical emergency, the gate is manually propelled open by use of a hand crank located in the motor box.

**SAFETY:**

The 9200 Vertical Lift Gate System meets current UL 325 requirements for Class III and IV. Constant pressure pushbutton controls or photo eye provide the primary entrapment protection, depending on the UL classification. The audio alarm is established as the secondary safety device to meet UL 25 safety requirements.

**SECURE:**

Vertical Lift Gate Systems are designed to make it impossible to open the gate except by electrical operation or emergency hand-cranking.

**SERVICABLE:**

Motor assembly is located at ground level providing easy access for routine inspection of the motor unit and limit assembly.

**DURABLE:**

Heavy-duty superstructure and highly engineered chain drive mechanism assures smooth and precise up-and-down movement.

**9200 VERTICAL LIFT GATE SYSTEM****TECHNICAL DATA:**

- **GATE SIZES:**  
Standard gate clear opening width 10' to 50' with 1' increments and 6' to 16' gate panel height with 1' increments and a clear opening height up to 16' high.
- **ELECTRICAL:**  
Variable Speed Motor 1 HP, 208, 230 VAC Single-Phase 208, 230 VAC Three-Phase
- **GEAR BOX HEATER:**  
Self contained electrical wiring feeds off main power connection to operate thermostat controlled heater.
- **MOTOR BOX HOUSING:**  
10 gauge galvanized steel containing NEMA 4 electrical enclosure meeting the requirements of UL and equipped with a 6 tumbler paracentric mechanical lock.
- **SUPPORT STRUCTURE:**  
Two W12 x 53 support columns with integral motor box and counterweights.
- **GATE PANEL:**  
Fabricated from 6063-T6 aluminum alloy extrusions- constructed (sized) to meet the specific project requirements. Gate panels may be sloped to meet specific site conditions. Contact the manufacturer for technical assistance. Panel filler may consist of chain link mesh, ornamental finish or weld mesh.
- **CONTROL WIRING:**  
24 VAC
- **DRIVE CHAIN:**  
#60 roller chain



## SECUR-PAK SYSTEMS Maximum Security

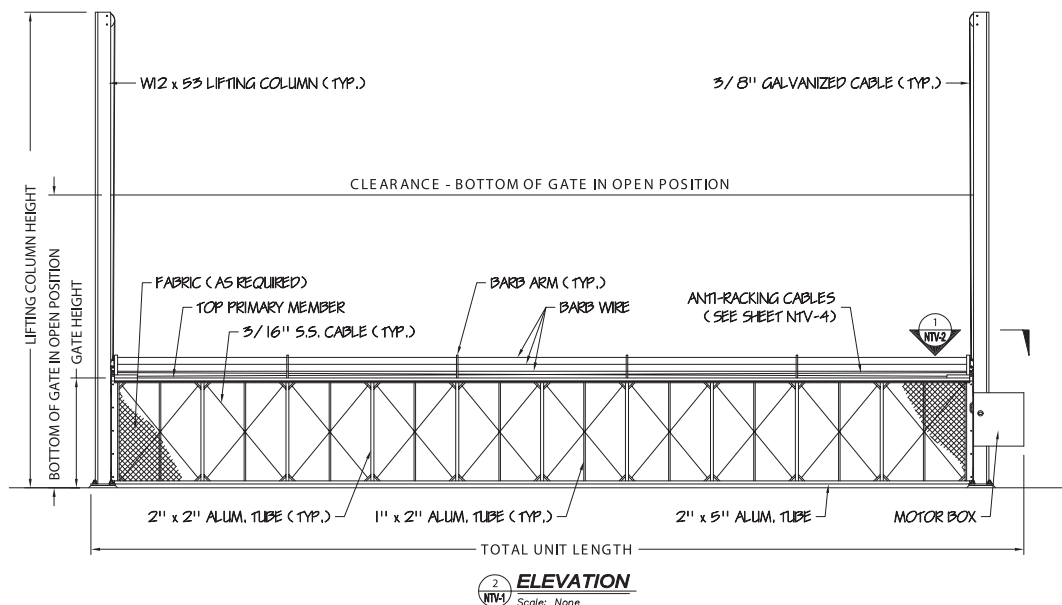
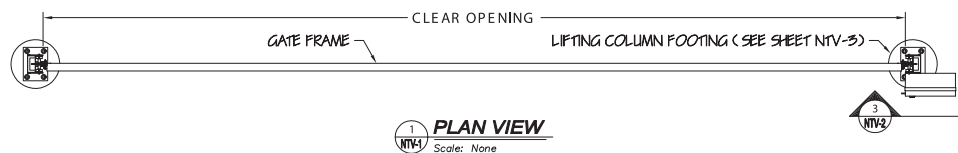
# 9200 VERTICAL LIFT GATE SYSTEM

### STANDARD FEATURES:

- 208 VAC Three-Phase
- Easy-to-reach mechanical operation and maintenance access
- Six tumbler paracentric key motor box locks
- Enclosed drive
- Manual hand cranking
- Gate sizes 10'-50' wide, 6' to 16' gate panel height with clear opening up to 16'
- Knocked down rebar cage
- Gate panel

### OPTIONAL FEATURES:

- Remote control panel
- 230 VAC 60Hz three-phase power
- 208 or 230 VAC 60Hz single-phase power
- 50 Hz motors provided for international projects
- Gate panel custom color coating to match fence
- Photo eyes, safety edge
- Card readers, key pads, free exit loops other access control equipment as needed
- Special keying





## PARACENTRIC CYLINDER AND KEY

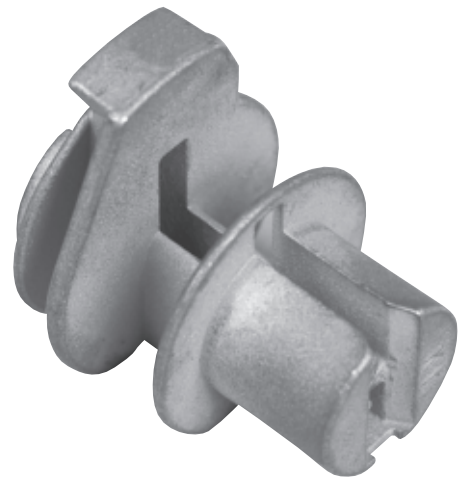
### APPLICATION:

A complete line of Southern Steel brand, high-quality detention-type locks is available with lever tumbler cylinders. The cylinders are cast bronze and are operated by paracentric key. Master keying is not available for locks with paracentric cylinders.

### TECHNICAL DATA:

- CYLINDERS and KEYS  
Silicon bronze/copper alloy
- CYLINDER SIZE:  
1" Diameter (Nominal)
- CYLINDER WEIGHT: .5 lb.
- KEY SIZE:  
4-3/4" L x 5/32" TK
- KEY WEIGHT: .2 lb.
- TENSILE STRENGTH:  
60,000 p.s.i.
- YIELD STRENGTH:  
20,000 p.s.i.
- ROCKWELL HARDNESS:  
73 Minimum HRB

## PARACENTRIC CYLINDER



## PARACENTRIC KEY



## MOGUL CYLINDER AND KEY

### APPLICATION:

Many of our locks are equipped with a "mogul-type" cylinder. This rugged cylinder is approximately twice the size of a standard "builder's hardware" cylinder. The mogul cylinder has six-pins with side bar operation. Six tumbler cylinders provide higher security than standard five tumbler cylinder with more combinations available. All cylinders may operate under the same exclusive key, including Southern Steel security builders cylinder, if desired.

NOTE: Master keying available.

### TECHNICAL DATA:

- STANDARD FINISH: US26D
- MOGUL CYLINDERS:  
Brass
- MOGUL KEYS: Nickel silver
- CYLINDER SIZE: 2" thread  
Diameter
- CYLINDER WEIGHT: 1.5 lbs.
- KEY SIZE: 2-3/8" L x 1/8" TK
- TENSILE STRENGTH:  
91,000 lbs/in.2
- YIELD STRENGTH:  
76,000 lbs/in.2
- ROCKWELL HARDNESS:  
89 HRB
- PIN TUMBLERS:  
Combination nickel silver  
and stainless steel,  
6 tumblers per lock

## HIGH SECURITY SIX-PIN MOGUL CYLINDER



## MOGUL KEY



## HINGES

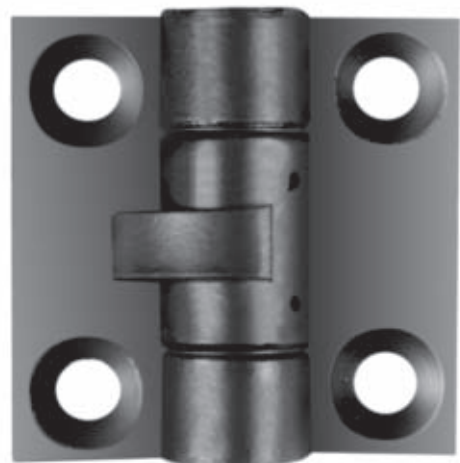
203FS: FULL SURFACE  
203FP: FOOD PASS

**APPLICATION:**

For use on food passes, observation shutters and other small swinging doors where a medium duty hinge is required. Available with solid leaves for welded application or pre-drilled for fasteners. The 203FP is a version of the 203FS with a built-in stop to hold the food pass door in a horizontal position for use as a shelf.

**TECHNICAL DATA:**

- HINGE LEAVES: Steel
- HINGE PIN: Cold-rolled steel
- SIZE: 3" H x 2-3/4" W x 1/4" TK
- WEIGHT: .9 lb.
- PIN SIZE: 1/2" diameter
- 203FS: No holes standard
- 203FP: Drilled and countersunk for screws standard

**203FS FULL SURFACE HINGE****203FP FOOD PASS HINGE**

# INSTITUTIONAL HINGES

## 204FMSS INSTITUTIONAL HINGES

### APPLICATION:

For swinging hollow metal doors. Each hinge features cast stainless steel leaves with integral security stud and non-removable stainless steel pin. Security fasteners are provided with each unit.

### TECHNICAL DATA:

- STANDARD FINISH:  
Stainless steel - US32D
- SIZE: 4-1/2" x 4-1/2" x 3/16"
- WEIGHT: 1.5 lbs.
- HINGE LEAVES:  
Cast stainless steel
- HINGE PIN: Stainless steel
- ASTM F1758 Certified  
Impact Test-Grade 1

## 204FMSS FULL MORTISE HINGE



## INSTITUTIONAL HINGES

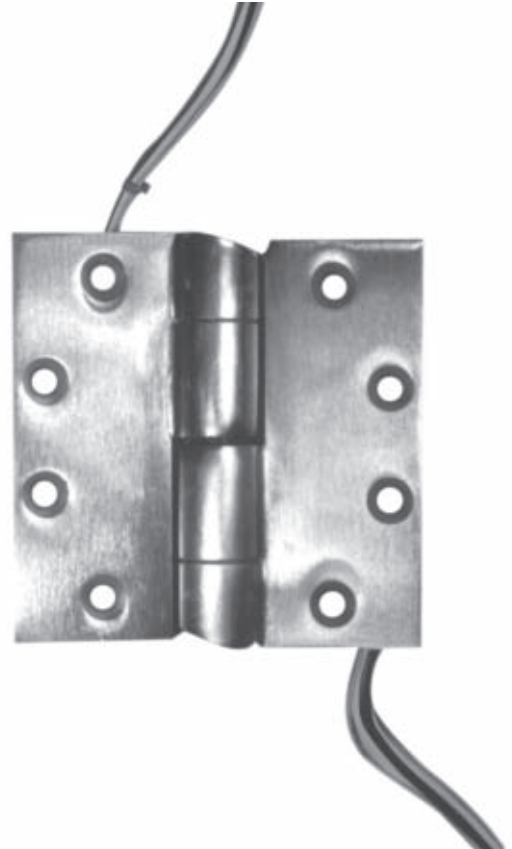
## 204E ELECTRIC POWER TRANSFER HINGE

### APPLICATION:

Designed to supply power from door frames to electric locks on hollow metal doors, the 204E Power Transfer Hinge contains five completely concealed and tamperproof Teflon™-coated conductors. Available in full mortise configuration only to be used with three 204FMSS institutional hinges. This is not a load-bearing hinge.

### TECHNICAL DATA:

- STANDARD FINISH: US26D
- SIZE: 4-1/2" x 4-1/2" x 3/16"
- WEIGHT: 1.6 lbs.
- HINGE LEAVES: Investment cast brass
- HINGE PIN: 5/8" diameter O.D. tubing steel
- ELECTRICAL: 1 amp capacity, 40 volts maximum



## HINGES

THIS ITEM HAS BEEN REPLACED BY SOUTHERN FOLGER #5 DETENTION HINGE PAGE SF7.  
REF PRODUCT BULLETIN 11-005 DATED 6/28/2011

## 205 HEAVY DUTY HINGE

205FS: FULL SURFACE  
205HS: HALF SURFACE

### APPLICATION:

Swinging doors at cells, corridors, plumbing chases or other locations where a higher degree of security is required. Available in full surface, half surface or gap type configurations. Since these hinges are usually welded, standard hinges are provided without attachment holes.

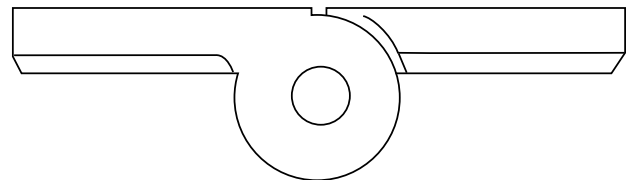
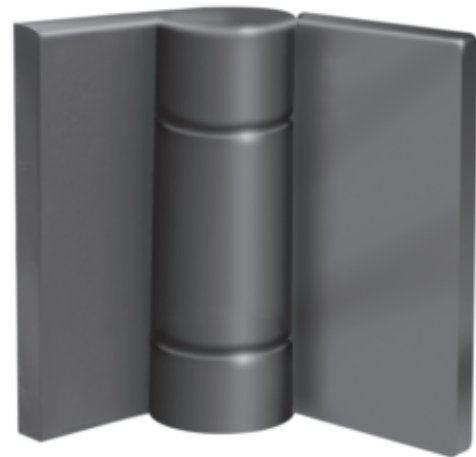
These hinges are drop forged of mild steel and feature heavy-duty thrust bearings, completely concealed and protected from tampering. Extremely strong and durable, one pair will support a standard plate door measuring 2'4" x 7'0" and weighing 250 pounds. Larger or heavier doors require a third hinge.

### TECHNICAL DATA:

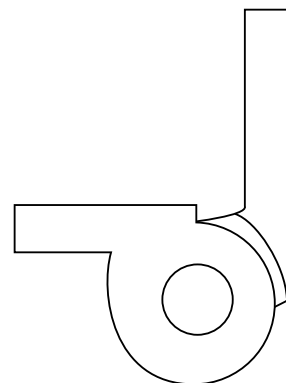
- SIZE:  
5" H x 5-3/4" W x 1/2" TK (205FS)
- WEIGHT: 7.25 lbs.
- PIN SIZE: 3/4" diameter
- HINGE LEAVES:  
Steel, with 1 oiling hole
- HINGE PIN AND THRUST BEARINGS: Cold-rolled, case-hardened steel
- ASTM F1758 Certified Impact Test-Grade 1

### OPTIONS:

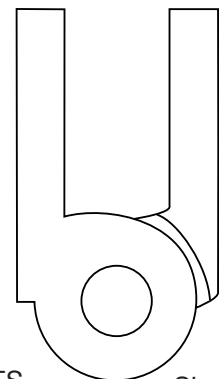
Hinges can be special-ordered with holes drilled to specifications if required. Contact Southern Folger for more details.



205FS



205HS



205FS

Shown in gap application

Show in gap application



## DOOR PULLS

212C  
RAISED DOOR PULL**APPLICATION:**

Economical, attractive, general purpose door pulls designed for ease of operation on heavy doors and/or heavy traffic areas. Provided with security fasteners.

**TECHNICAL DATA:**

- FINISH:  
US26D
- MATERIAL:  
Cast brass
- SIZE:  
8-11/16" L x 1-3/4" W x 2-3/8"  
Projection
- WEIGHT: 1.3 lbs.



## DOOR PULLS

### 214S RECESSED DOOR PULL

#### APPLICATION:

The 214 is of adequate size for easily manipulating large, heavy doors. Often used on inmate side of doors. Provided with security fasteners.

#### TECHNICAL DATA:

- FINISH:  
US26D
- MATERIAL: Cast brass
- SIZE: 5" H x 4" W x 1" D
- WEIGHT: 1.5 lbs.

### 215C KNOB PULL

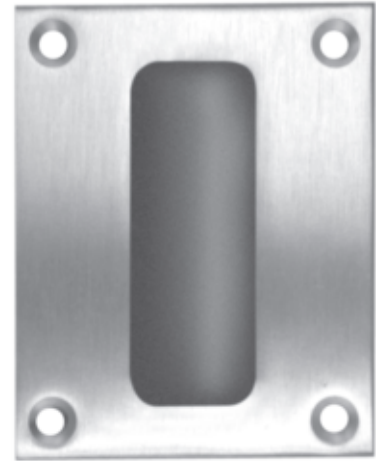
#### APPLICATION:

An attractive, brass knob pull for light traffic areas where a fixed knob is required. Provided with security fasteners.

#### TECHNICAL DATA:

- FINISH:  
US26D
- MATERIAL: Brass
- SIZE: 2-1/4" DIA Knob x  
2-1/4" Projection x  
3-1/4" DIA Base
- WEIGHT: .5 lb.

## 214S RECESSED DOOR PULL



## 215C KNOB PULL



# ESCUTCHEON AND CYLINDER SHIELD

## ESCUTCHEON

### 218 ESCUTCHEON

218-1 ESCUTCHEON: ONE WAY  
 218-2 ESCUTCHEON: TWO WAY

#### APPLICATION:

The 218 Escutcheon is used to provide a close fit between a paracentric cylinder and the keyhole. It also serves to protect the finish around the keyhole from chipping. The one-way escutcheon prevents the key from being extracted from the cylinder while lock is in the unlocked condition. Provided with security fasteners.

#### TECHNICAL DATA:

- FINISH: US32D
- MATERIAL: Stainless steel,
- SIZE: 3" DIA x .105" TK
- WEIGHT: .2 lb.

### 219 CYLINDER SHIELD APPLICATION:

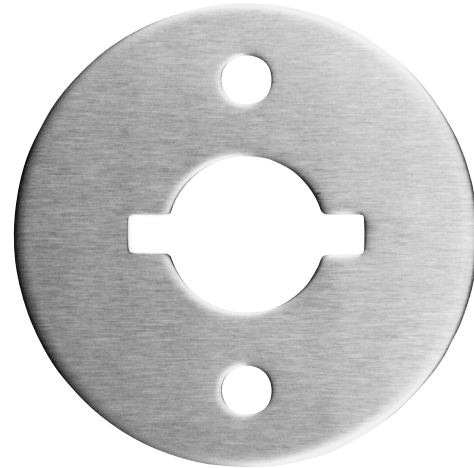
The 219 Cylinder Shield mounts over the paracentric cylinder on exterior doors to protect the keyhole from dirt, snow and other foreign elements. Provided with security fasteners.

#### TECHNICAL DATA:

- FINISH: US26D
- MATERIAL: Stainless Steel
- WEIGHT: .5 lb.

### 219M MOGUL CYLINDER SHIELD

Same as above except shield mounts over the mogul cylinder. US26D finish.



218-2 shown

## CYLINDER SHIELD



219 shown



# DOOR POSITION SWITCHES FOR SWINGING DOORS

## 200MRS MAGNETIC SWITCH APPLICATION:

The 200MRS is used where a built-in door indicator switch is desired. This tamper-proof unit is mortised into the door frame. An actuating magnet is recessed into the door edge. Provided with security fasteners.

### TECHNICAL DATA:

- SIZE: 4-7/8" L x 1-1/4" W
- WEIGHT: 1 lb.
- ELECTRICAL: 24 volts (AC or DC)

## 200MRS TB MAGNETIC SWITCH

Triple Bias Switch

## 220A DOOR POSITION SWITCH

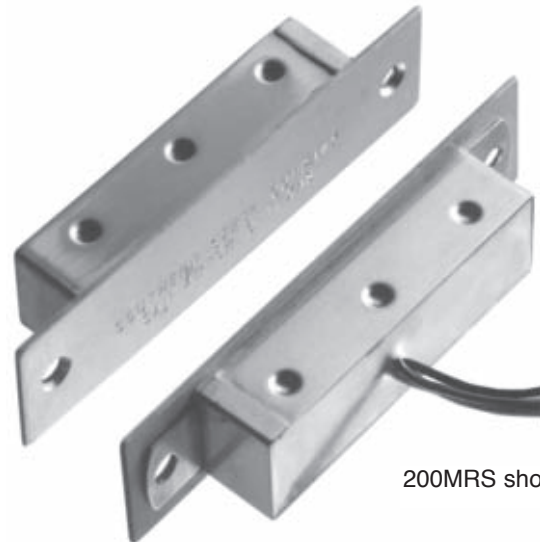
### APPLICATION:

The 220A switch actuates a remote lamp indicator or an audible signaling device the moment a swinging door is moved from the fully-closed position. Enclosed in a 10 gauge galvanized steel housing, the 220A is designed for installation on the door frame above the top hinge. A pivoting operator that actuates the switch is attached to the door face with special security screws. The 220A is designed for use on doors with 4-1/2" or 5" hinges. Specify hinge size and type (220A-5, 220A-4, etc.). Provided with security fasteners.

### TECHNICAL DATA:

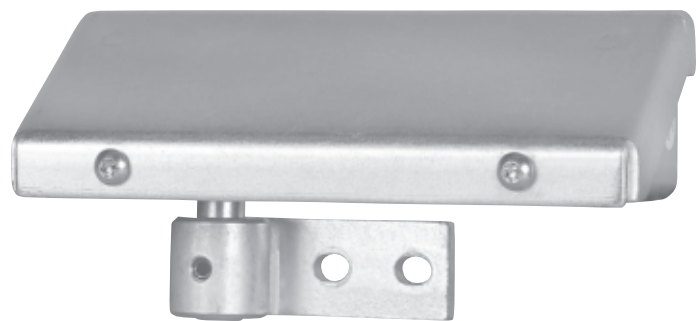
- SIZE: 6-5/16" x 2-1/2" x 1-7/8"
- WEIGHT: 3 lbs.
- ELECTRICAL: Switch rating SPDT 15 amps at 125 VAC or .5 amps at 125 VDC

# 200MRS MAGNETIC SWITCH



200MRS shown

# 220A DOOR POSITION SWITCH



## DOOR POSITION SWITCHES FOR SWINGING DOORS

# 240CPS CONCEALED POSITION SWITCH

### APPLICATION:

The 240CPS is used where a built-in door indicator switch is desired. This tamper proof unit is mortised into the door and frame. Indicator switch is mechanically activated when the door is moved from the closed position. A switch adjustment is provided to allow for varying field conditions. Provided with security fasteners.

### FEATURES:

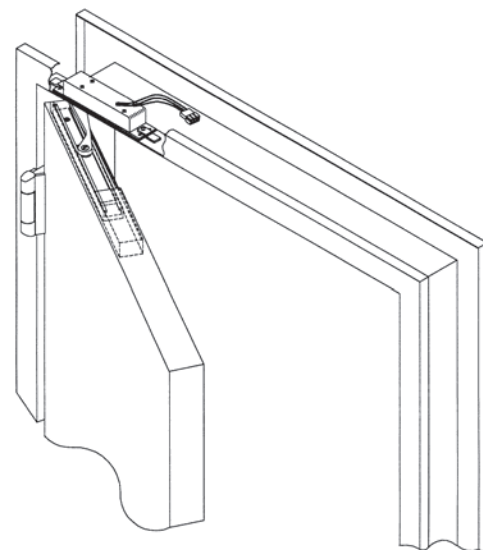
- Handed, Specify LH or RH
- 180° maximum swing
- 12" long, 16 AWG UL wire leads with plug connector
- An eccentric stud on the control arm provides a fine adjustment for varying conditions

### OPTIONAL FEATURES:

- Double Circuit, Specify 240CPS-2  
This feature allows for an additional circuit to be triggered by the 240CPS

### TECHNICAL DATA:

- CONCEALED (IN FRAME):  
1-5/16" H x 1-1/2" W x 7-1/2" L
- CONTROL ARM: 5/16" thick steel, zinc plated
- TRACK(IN DOOR): 3/4" H x 1-1/4" W x 12" L, extruded aluminum alloy
- WEIGHT: 2 lbs.
- FACE PLATE: 14 GA stainless steel (US32D finish)
- ELECTRICAL: Switch is S.P.D.T. type with a rating of 5 amps at 30 VDC to 250 VAC



Left Hand Shown



# FOOD PASS ASSEMBLY

## 262 FOOD PASS

### APPLICATION:

For use in hollow metal or plate doors and walls. Opening area measures 5" H x 1' 3-1/4" W. Built-in stop positions the food pass door as a shelf when open. Key operated springlock provides positive security and prevents unauthorized use.

### STANDARD FEATURES:

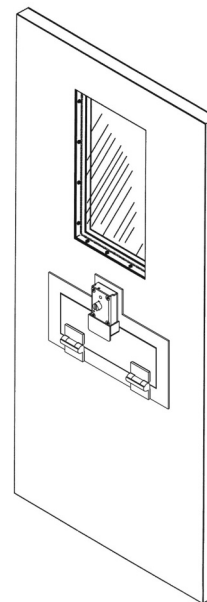
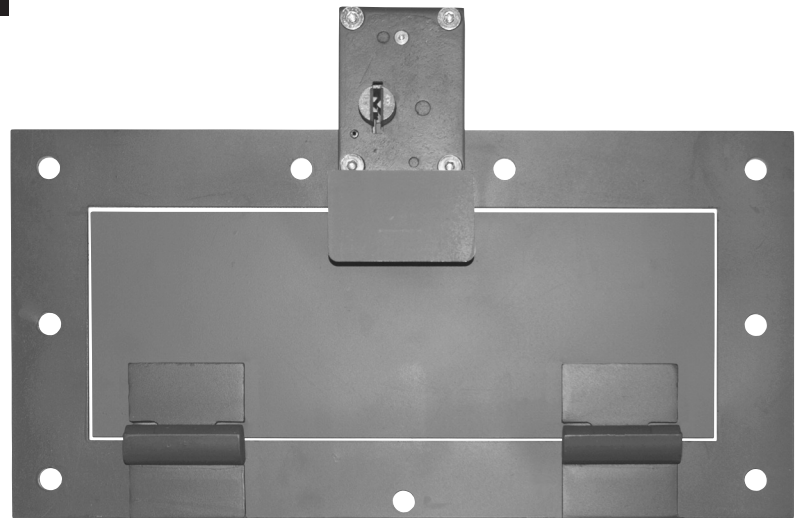
- 1017A snaplatch
- Two hinges

### OPTIONAL FEATURES:

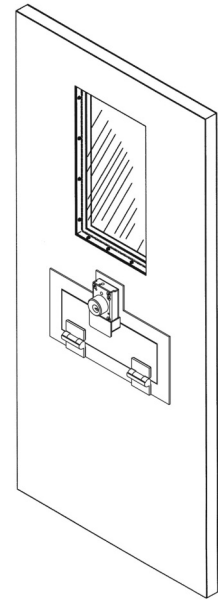
- 1010A deadlock  
(Specify 262 x 1010A)
- 1010AM deadlock  
(Specify 262 x 1010AM)
- 1017AM snaplatch  
(Specify 262 x 1017AM)
- 1017AT snaplatch with thumbturn  
only (Specify 262 x 1017AT)

### TECHNICAL DATA:

- STANDARD FINISH: USP
- FRAME: 7 gauge mild steel
- LOCK: 1017A snaplatch
- HINGES: 3" H x 3" W x 5/32" TK  
mild steel with cold-rolled  
steel, non-removable pin
- FRAME SIZE:  
1' 8-1/4" L x 10" W
- CLEAR OPENING:  
5" H x 1' 3-1/4" W



Paracentric



Mogul



## ACCESS DOORS AND PANELS

### 590 HINGED ACCESS DOOR

#### 590 HINGED ACCESS DOOR

SIZE: 2'4" W x 3'4" H x 2-3/16" TK  
WEIGHT: 105 LBS.

Provides access to plumbing or utility spaces in security areas. Door is constructed of 10 gauge steel plate flanged 1-3/4" all around, hung on two Model 203FS hinges and locked with a Model 1010A deadlock. Steel frame is 7 gauge formed plate. Specify type of wall construction to determine anchor requirements. Prime painted.



**PUSHBUTTON  
SWITCHES****900 SERIES  
MOMENTARY PUSHBUTTON****906 MOMENTARY PUSHBUTTON**

RATING: 10 amp  
 USAGE: Heavy-duty switch for electric locks, except for functions requiring a maintained contact switch. Suitable for inmate use.  
 Finish US26D.

**907 PUSHBUTTON**

RATING: 6 amp  
 USAGE: This function is the same as the 906. Faceplate is not available. The 907 pushbutton becomes an integral part of the frame.  
 Finish US32D.



Model 906



Model 907



# KEYSWITCHES

## KEYSWITCHES

The 900 Series keyswitches are recommended for use in secure areas or control cabinets.

### **930 THREE POSITION MAINTAINED KEYSWITCH, PARACENTRIC**

RATING: 15 amp

USAGE: Extra heavy-duty keyswitch for sliding door locking device. Galvanized finish. Utilizes paracentric key and cylinder. Specify one or two way keying.

### **936 THREE POSITION MAINTAINED KEYSWITCH, MOGUL**

RATING: 15 amp

USAGE: Heavy duty keyswitch for sliding door locking devices. US26D is standard cylinder finish, US32D is standard plate finish. Utilizes institutional (mogul-type) key and cylinder.

## 900 SERIES KEYSWITCHES



Model 930A shown



Model 936 shown



## HEAD OR FOOT BOLT

## 10105 HEAD OR FOOT BOLT

### 10105 HEAD OR FOOT BOLT

#### APPLICATION:

For the inactive leaf of pairs of swinging hollow metal, grating or steel plate doors.

#### FUNCTION:

Actuated by means of a "spanner" type key which extends the bolt into appropriate receptacle in the floor or jamb head. A special foot bolt receptacle is available for floor installations.

#### TECHNICAL DATA:

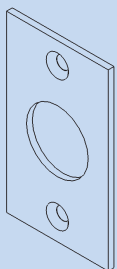
- STANDARD FINISH: Galvanized
- COVER: Cold-rolled steel plate
- CASE: Ductile iron
- LOCK BOLT: Cold-rolled steel
- SPANNER KEY: Cold-rolled steel
- SIZE: 5-3/8" H x 2-3/4" W x 1-7/8" TK
- WEIGHT: 5.5 lbs.
- BOLT SIZE: 1" Diameter
- BOLT THROW: 3/4"

### 10105R FLOOR RECEPTACLE

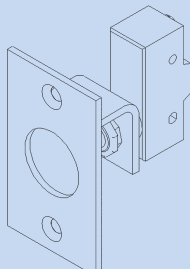
- SIZE: 3" H x 1-5/8" DIA x 1-5/8" sq. Base
- WEIGHT: 2.25 lbs.

#### OPTIONS:

- Head bolt keeper  
Specify: "10105B" x USP
- Head bolt keeper switch  
Specify: "10105CL" x USP
- Foot bolt receptacle Specify: 10105R



10105B



10105CL



Note: Shown with cover plates used only with grating and plate doors

## 10105R FOOT BOLT RECEPTACLE

## 10105K KEY



# LOCK MOUNTINGS

## LOCK MOUNTINGS

### APPLICATION:

Used for mounting mechanical paracentric locks on hollow metal, steel plate or grating doors. Note: The model number for a specific lock mounting is determined by adding "HM", "P", "G" as a prefix to the lock model number i.e., HM-1080A-1, G-1070A-2.

### TECHNICAL DATA:

- **SIZE:** Varies with application
- **WEIGHT:** Varies with application
- **HM - MOUNTING FOR HOLLOW METAL DOORS:** 7 gauge steel plate is attached to door with security fasteners. Comes with 218 Escutcheon. For two-way locks, a second escutcheon is required.
- **P - MOUNTING FOR STEEL PLATE DOORS:** Formed 10 gauge steel plate is attached to door with security fasteners or rivets.
- **G - MOUNTING FOR STEEL GRATING DOORS:** Welds to grating door. 7 gauge steel cover is attached to lock mounting with security fasteners. Comes with 218 Escutcheon. For two-way locks, a second escutcheon is required.



HM – Mounting for Hollow Metal Doors



P – Mounting for Plate Doors



G – Mounting for Grating Doors





## SAFETY MIRRORS

### 432 MIRROR

**SIZE:**

17-1/4" H x 11-1/4" W x 1/4" TK

Stainless steel face plate is polished to a mirror finish which approximates that of glass. One piece formed mirror and frame mount directly to wall. Mirrors are designed to accept 1/4-20 flat-head security fasteners.

**OPTIONS:**

**STEEL EMBED PLATE:** Can be supplied by special order for installation on poured concrete or masonry walls.

## SECURITY ONE-PIECE SAFETY MIRRORS



**Southern  
Folger**

## SAFETY HOOK AND SHELF

### 407 SECURITY CLOTHES HOOK

SIZE: 4" H x 4" D x 2-21/2" W

This special hook is designed with a collapsible ball joint. Constructed of 14 gauge stainless steel, the 407 can be riveted to wall plates or steel walls, or it can be attached with the provided fasteners. US32D finish.

### 408 SHELF

SIZE: 6" H x 8" D x Specified Length

WEIGHT: varies  
(5.4 LBS. for an 8" shelf)

Constructed of 12 gauge steel plate, the 408 Shelf is flanged and gusseted for strength and neat appearance. It is available in 8", 16" and 24" lengths, with or without safety clothing hooks.

Specify:

408-8 for 8" shelf

408-16 for 16" shelf

408-24 for 24" shelf

If safety clothing hooks are required under shelves, add the suffix "S" to the above numbers (e.g. 408-24S). One hook is provided for each 8" of shelf length.

## 407 SAFETY HOOK



## 408 SHELF



**Southern**  

**Folger**

## KEY CABINETS DOOR STOP

### 6-60 KEY CABINET

(60 key capacity)

### 6-300 KEY CABINET

(300 key capacity)

### 6-720 300 KEY CABINET

(720 key capacity)

SIZE: 16" W x 24" H x 6 5/8" D

WEIGHT: 6-60: 55 LBS.

6-300: 85 LBS.

6-720: 195 LBS.

Key cabinets provide security and control of a large number of paracentric prison keys, or Mogul-type keys. Cabinets may be provided for surface or recessed mounting. Keys are held on two sides of a swinging panel within the enclosure. A printed index is provided for recording the location of each key, and the lock it operates. Available with a Southern Steel 1010A or 1010AM lock.

### 420 DETENTION DOOR STOP

SIZE: 2" Dia. X 3 1/2" Bumper  
5/8-11 X 2 1/2" Post

Material: 90 durometer silicone  
rubber body  
with threaded steel post

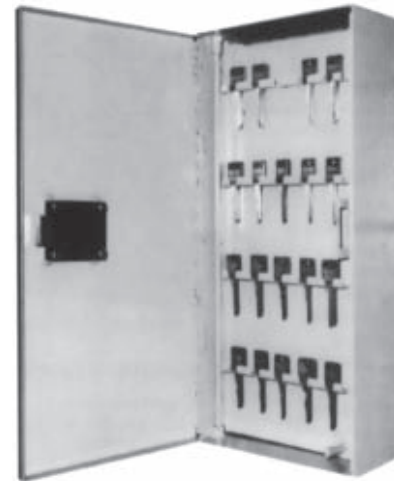
Style: Wall or floor mount

Finish: Black

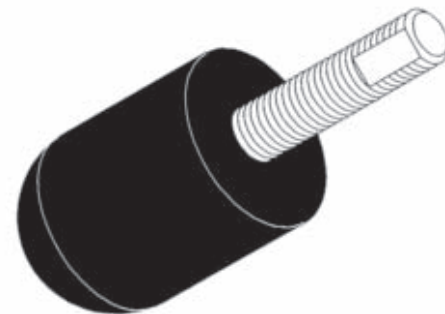
Mounting: Embed in concrete or  
masonry

Heavy duty detention-grade door stop for installation in either wall or floor with epoxy resin adhesive. Threaded steel anchor post.

## KEY CABINETS



## 420 DETENTION DOOR STOP



**Southern  
Folger**

## PISTOL LOCKERS

### 600 PISTOL LOCKER

#### 600 PISTOL LOCKER

SIZE: 1' 4" x 10" D x Length Required  
 WEIGHT: 35 lbs.  
 (FOR A 3-COMPARTMENT LOCKER)

Pistol lockers are available in combinations of three compartments (up to a total of 12 compartments) in a single unit. Construction is 10 to 14 gauge steel. Each compartment is 5-1/4" H x 10" W x 10" D, bottom-lined with moth-proofed felt. Doors swing on continuous hinges and each has a separately keyed cam lock. Master keying is available by special order. These units can be surface mounted or built into a wall. Indicate type of mounting required. Prime painted.

Specify:

- 600-3: 3-compartment
- 600-6: 6-compartment
- 600-9: 9-compartment
- 600-12: F12-compartment

#### 605 PISTOL LOCKER (TILT-OUT)

SIZE:  
 1' 10-1/2" H x 6" D x Length Required  
 WEIGHT: 48 LBS.  
 (FOR A 3-COMPARTMENT LOCKER)

Each compartment of the Model 605 tilts out for access on a continuous hinge. Construction is 7 to 10 gauge steel. Compartments are 6" H x 1' 1-1/2" W x 4-1/2" D, bottom-lined with moth-proofed felt and locked with an individual keyed snaplock. Master keying is available by special order. Can be surfaced mounted or built in. Indicate type of mounting required. Prime painted.

Specify:

- 605-3: 3-compartment
- 605-6: 6-compartment
- 605-9: 9-compartment
- 605-12: F12-compartment



Model 600-12 shown

### 605 PISTOL LOCKER (TILT-OUT)



Model 605-6 shown



# UNIVERSAL TEST UNIT

## SOUTHERN FOLGER TESTPRO

The Southern Folger TestPro test unit is a sturdy, portable unit for preventive maintenance checks. With easy-to-read indicator lights, this ergonomically designed test unit will operate all current models of Southern Steel and Folger Adam electric and pneumatic locks and locking devices. Controls are consolidated into a single set of switches for all lock functions.

### STANDARD FEATURES:

- Indication – Two sets of colored indication lights are included on each unit.
  - Green Secure/Red Unsecure for DPS indication
  - Green Secure/Red Unsecure for auxiliary indication
- Fuse Protection – A 4-amp fuse is mounted on the front of the test unit for easy replacement. Spare fuse holder stores replacement fuse.
- Voltage Selector – A key-operated, multi-voltage selector switch allows operation of 24VDC and 120VAC units.
- Cycle Type Selector – A key-operated cycle type selector switch allows operation of half cycle and full cycle devices.
- Three-position center-off control switch allows open/close type testing. The control switch is momentary contact, spring-loaded to the center-off position.
- Case – Ergonomically designed steel case.
- Power Connection – all units are equipped with a 3-prong, industrial-rated 120VAC GFI power plug with integral test and reset controls.



## UNIVERSAL TEST UNIT

## SOUTHERN FOLGER TESTPRO

### TECHNICAL DATA:

PART NO: 76710852 Rev B.1

INDICATION:

Door - Green secure/red unsecured

Auxiliary - Green secure/red unsecured

CONTROLS: Keyed voltage and cycle selection

SUPPLY VOLTAGE: Standard 120 VAC plug

WEIGHT: 6 lbs

DIMENSIONS: 8-1/2" x 5-3/8" x 4

CASE: Fabricated steel enclosure

LOCK TERMINATION:

- Integrated Lock Lead - 12-pin connector to test most 24VDC and 120VAC Folger Adam locks and devices.
- 12 Pin to Alligator Clip Adaptor – test locks and devices without Molex terminations (TPA001 P/N 400021)
- 12 Pin to 6 Pin Adaptor – test most Southern Steel Locks (TPA002 P/N 400022)
- 12 Pin to 12 Pin Adaptor – test Southern Steel 10300M (TPA003 P/N 400023)
- 12 Pin to 12 Pin Adaptor – test Southern Steel 10300MD (TPA004 P/N 400024)
- 12 Pin to 6 Pin Adaptor – test most Southern Steel Sliders (TPA005 P/N 400025)
- 12 Pin to Spring Clamp Terminal Block – test Southern Steel locks without Molex terminations and 1050 series (TPA009 P/N 400029)

### OPTIONS:

International TestPro Unit - Designed to operate 24 VDC and 240 VAC locks and locking devices. This version does not include attached power connection.

Specify "TestPro International" part no. 76710853.

The TestPro unit can be used on the products listed below and also works on most non-standard products. If necessary, custom adaptors can be developed for use in testing of other devices.

### SOUTHERN STEEL BRAND

Locks		Sliding Devices	
24 VDC	120 VAC	24 VDC	120 VAC
1051M	1050D	8010L	3150LX
1051P	1051E	8050L	3165LX
10120AM	1051M	8065L	4110L
10300E	1058M		
10300M	10120AE		
10300P	10120AM		
10600			

### FOLGER ADAM BRAND

Locks		Sliding Devices	
24 VDC	120 VAC	24 VDC	120 VAC
51M	51E	KR,KR.3	2B, 2B.3
50HBM	51M	KR.3P	3B, 3B.3
50P	120E/M/MC	2B.3P	KR
120M/MC/P	120ED	D2B.3P	D2B
NS400	120RUP	D3B,D3B.2	D5B
D9300			



# 205 HINGE

## SOUTHERN FOLGER 205 HINGE

SF 205FS: FULL SURFACE HINGE  
 SF 205G: GAP HINGE

### APPLICATION

Swinging doors at cells, corridors, plumbing chases, gates or other locations where a higher degree of security is required. Available in full surface or gap type configuration.

Leaf configuration can be any combination of solid leaf for weld-on or pre-drilled leaf for bolt-on.

Continuous non-removable hardened steel alloy pin. Smooth operating radial and thrust polymer bearings.

### TECHNICAL DATA

Size: 5"H x 4-1/2" W x 1/2" TK (FS)  
 5"H x 6" W x 1/2" TK (GAP)  
 Weight: 5 lbs.  
 Pin Size: 5/8" diameter.  
 Barrel Size: 1-1/2" diameter.  
 Barrels/Leaves: Cold rolled steel.  
 Finish: USP.

Exceeds all criteria for ASTM F1758 for detention hinges for Double Weight Grade 1.

Made in USA.

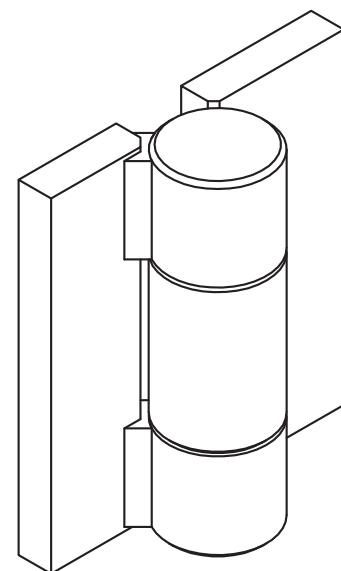
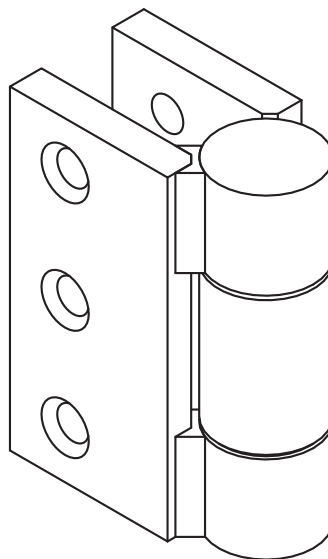
Weight capacity 800 pounds per weld-on hinge.

NOTE: These hinges are not direct replacements for the Folger Adam #5 Hinge or the Southern Steel 205 Hinge due to barrel size difference.



SF 205G:  
GAP HINGE

SF 205FS:  
FULL SURFACE HINGE



# GLOSSARY

## ABBREVIATIONS

<b>AC</b>	Alternating Current	<b>KCE</b>	Key Cylinder Extender
<b>BH</b>	Button Head	<b>KS</b>	Key Switch
<b>CPS</b>	Concealed Door Position Switch	<b>LEK</b>	Local Electric Key Switch
<b>D</b>	Half Cycle Function	<b>M</b>	Motor
<b>DC</b>	Direct Current	<b>MKH</b>	Mechanical Key Hold Back
<b>DPS</b>	Door Position Switch	<b>MLH</b>	Maintained Latch Hold Back
<b>E</b>	Solenoid	<b>MRA</b>	Material Return Authorization
<b>EED</b>	Emergency Exit Device	<b>MRS</b>	Magnetic Reed Switch
<b>EER</b>	Emergency Exit Release	<b>NA</b>	Not Applicable
<b>ELC</b>	External Local Control	<b>NC</b>	No Charge
<b>FH</b>	Flat Head	<b>NL</b>	No Latch
<b>FP</b>	Food Pass	<b>P</b>	Plate
<b>FS</b>	Full Surface	<b>POR</b>	Price on Request
<b>G</b>	Bar Grating	<b>SD</b>	Dead Lock Indication
<b>HM</b>	Hollow Metal	<b>SK</b>	Safety Knob
<b>HS</b>	Half Surface	<b>T6</b>	Six Tumbler Paracentric Lock
<b>K</b>	Standard Knob	<b>UL</b>	Underwriters Laboratories

## STANDARD FINISHES

<b>USP</b>	Prime Painted	<b>US32D</b>	Satin Stainless Steel
<b>US26</b>	Polished Chrome Plated	<b>GAL</b>	Galvanized*
<b>US26D</b>	Satin Chrome Plated	<b>SS</b>	Stainless Steel
<b>US32</b>	Polished Stainless Steel		

\*The American Hot Dip Galvanizers Association recommends that, due to extremely thin zinc on the sheet, painting or other top coating improves the service life.



## GENERAL

<b>Cylinder Extender:</b>	A device added to a cylinder to provide additional length.
<b>Dead Lock Indication:</b>	Directional arrow indicates if lockbolt is extended or retracted.
<b>Fail Safe:</b>	Upon loss of power, all electric locks will open.
<b>Fail Secure:</b>	Upon loss of power, all electric locks will remain locked.
<b>Fish Tail:</b>	Another term for a bottom door guide used on a sliding door.
<b>Grating:</b>	A term used to describe a bar type partition, door and grill.
<b>Hollow Metal:</b>	A term used to describe doors and frames which are made of a lighter gauge material, usually 12 gauge or less.
<b>J-Hook:</b>	Another term for a closure plate used on sliding door systems.
<b>Jamb:</b>	A term used to describe the vertical members of a door frame.
<b>Mortise:</b>	An opening made to receive a lock or other hardware.
<b>Mylar™:</b>	Mylar is a registered trademark of the DuPont Chemical Company.
<b>Narrow Jamb Lock:</b>	A lock mounted in a two inch hollow metal frame.
<b>Plate:</b>	A term for heavier gauge materials used to form doors and frames.
<b>Plug Connector:</b>	A plastic female and male plug mechanism attached to the end of the wiring used in electric locks or other electric mechanisms for quick and easy disconnect.
<b>Q-LON2™:</b>	Q-LON2 is a registered trademark of the Schlegel Corporation.
<b>Safety Knob:</b>	A cone shaped knob.
<b>Sliding Door:</b>	A door which is hung on rollers and moves horizontally to open or close.
<b>Swinging Door:</b>	A door which is hung on hinges or pivots.
<b>Teflon™:</b>	Teflon is a registered trademark of the DuPont Chemical Company.
 UL	UL is a registered trademark of Underwriters Laboratory.



## BOLTS

- Cremona Bolt:** A bolt designed to give locking at the head, foot and in the center of the door, providing a three point locking system for specialty-type doors in high security applications.
- Extended Bolt:** Used for hollow metal or stop side mounting.
- Head and Foot Bolt:** Bolts which are mortises at the top of the door and the bottom of the door, locking into the frame head and to the floor. These bolts can only be used on pairs of doors and Dutch doors.

## ELECTRONICS

- AMP (Ampere):** Units of measurement of the rate of flow of electrical current.
- Backplane:** Printed circuit board.
- BUS:** A conductor to which two or more circuits can be connected.
- Continuous Duty:** Device is designed to operate 100% of the time.
- Interlock:** A door control scenario that prohibits electrical operation of selected doors if a door in the defined group is open or unsecure.
- LED:** Light emitting diode.
- Maintained Switch:** A switch that stays in the contact position when actuated and released.
- Momentary Switch:** A switch which makes contact only while being actuated and held.
- NC (Normally Closed):** Switch contacts that are connected when not actuated.
- NO (Normally Open):** Switch contacts that are not connected when not actuated.

## HINGES

- Electric:** A transfer hinge. This hinge transfers power from the jamb to an electric device that is normally mounted in or on the door.
- Food Pass:** A hinge which has a 90 degree stop applied to be used with food pass doors.
- Full Mortise:** Hinge leaves which are normally mortised flush—one into the door, and one into the frame.
- Full Surface:** Hinge leaves which are both surface mounted on the door and the frame.



**Full Surface/Gap:** A hinge designed to be used with bar grating doors and partitions.

**Half Surface:** A hinge that has one leaf mortised into the frame and one leaf surface mounted on the door.

## KEYS AND CYLINDERS

**Mogul Cylinder:** A pin tumbler cylinder that is approximately 2 inches in diameter. Designed to operate certain types of detention locks.

**Mogul Key:** Designed to activate the pin tumblers of a mogul cylinder.

**Paracentric Cylinder:** A cylinder designed to accept a bit key and operate with wafer tumblers. Also referred to as a nose.

**Paracentric Key:** A large bit type key that is normally used with maximum security detention locks using wafer tumblers to activate the lock mechanism.

**Pin Tumblers:** Small cylindrical-shaped pins used in the mogul cylinder to create the different key codes.

**Steel Engaging Ball:** A small ball that is placed in the mogul cylinder, against which the key rides allowing the movement necessary to operate the cylinder.

**Wafer Tumbler:** Thin brass plates that are spring activated, functioning with the paracentric key and the paracentric cylinder to allow the lock to be unlocked or locked.

## LOCKS

**Deadlock:** A square bolt lock which is always either in the locked or the unlocked position.

**Deadlock Actuator:** A mechanical means of tripping a deadlock cam on snaplocks.

**Electro Mechanical:** Locks that are operated both manually and electrically.

**Hook Bolt:** A bolt that is made into the shape of a hook that is normally used on locks for sliding doors.

**Mechanical:** Locks that are only operated manually.

**Mortise:** A lock which is installed into the edge of the door with the trim and cylinder being mounted into the lock through the face of the door.

**Pneumatic:** A lock which is operated both manually and by compressed air.

**Snaplatch:** A beveled bolt lock which latches upon closing the door.



## PLATES/MOUNTINGS

- Cover Plate:** A plate used to cover the lock mounting pocket built into the jamb by the frame manufacturer.
- "G" Mounting:** A box used to mount mechanical locks on bar grating.
- HM Mounting Plate:** A plate used to mount mechanical locks in hollow metal doors.
- "P" Mounting:** An encasement used to mount paracentric keyed mechanical locks on plate doors.

## STRIKES/KEEPERS

- Keeper:** A flat plate normally mortised into the jamb and used with square bolt deadlocks.
- Keeper/Strike Switch:** A small switch mounted behind the keeper or strike, that gives monitoring indication when the bolts are projected into the strike or keeper.
- Strikes:** Normally flat plates or cast items that are used with snap bolt locks. Some strikes have lips, whereas keepers do not.

## SWITCHES

- Key Switches:** Key-operated switches normally used to activate the electrical or pneumatic functions of detention locks.
- Push Button:** A contact switch which can be used to create a signal or activate the electrical or pneumatic functions of detention locks.



