

Key: Mogul
Door: Swinging
Security Level: Medium/Maximum

120P DEADLATCH

Description

120P Series Deadlatches are pin-tumbler, pneumatically-operated locks for swinging doors. Specify keying as follows:

- 121 Keyed case side
- 122 Keyed cover side
- 126 Keyed both sides

Applications

Series 120P Deadlatches are suited for medium or maximum security application including cell doors, sallyport or egress doors, corridor or entrance doors. Sensitive administration areas of an institution may also warrant 120 Series locks.

These jamb-mounted locks are designed to be controlled by an electronic control system and provide monitoring of lock status for optimum protection and flexibility.

Operation

Standard (1): Series 120P locks unlock when the pneumatic solenoid is energized by a momentary-contact switch. Once unlocked, the latchbolt is held mechanically retracted until the door is opened. It then extends automatically.

Without latchback (1a), 04: Once unlocked, the latchbolt is held retracted as long as the pneumatic solenoid is energized. A maintained-contact switch may be used to keep the latchbolt retracted for an extended period of time.

Knob release (2): 120P Deadlatches may be specified with knob release on one side, where the knob is always active. Knob may be mounted on the case side or the cover side.

Key holdback (3): When unlocked by key, the deadlatch remains retracted until relocked by turning the key in the opposite direction. Available one side only.

Testing

120P Series Deadlatches and Maxi-Mogul® Key Cylinders have been tested to 1,000,000 operations.

Standard Features

- **Indication switch** – A lock status switch monitors the latchbolt extension and its deadlocked condition.
- **Pneumatic solenoid voltage** – 24VDC.
- **Superior durability** – Working parts of stainless steel afford greater strength, durability and corrosion-resistance.
- **Standard lock size** – All models use the same size case, cover and mounting holes for simplified installation and frame preparation.
- **External, two-piece plug connector (not shown)** – All models install without cover removal. Simple plug-in connection to field wiring.
- **External air coupler** – Allows air system connection to lock without removing covers.
- **External mounting holes** – Easy installation eliminates the need for cover removal.



Left hand shown.



- **Standard lock** – Mounts behind frame and does not require a faceplate.
- **1" throw latchbolt** – Offers greater security. Each bolt is hardened to resist sawing. When latchbolt is engaged in strike, bevel is concealed to prevent picking.
- **Mechanical unlocking by keys** – Specify Folger Adam Maxi-Mogul® high-security cylinders.
- **Investment-cast stainless steel strike** – Furnished with four tamper-resistant screws.
- **Finish** – Zinc plated.

Standards Compliance

All Series 120P locks are UL1034 Burglary-Resistant Mechanisms. Maxi-Mogul® key cylinders are UL437 listed. ASTM F-1577 Grade 1 – Impact.

For more information, please call 210.533.1231.



Key: Mogul
Door: Swinging
Security Level: Medium/Maximum

120P DEADLATCH

Optional Features

■ **Local electric key (LEK)** – A unique function which uses two types of keys for applications where inmates carry their own keys, but supervision is necessary. One key turns in one direction only, and operates the lock electrically. The supervisory key turns in both directions to operate the lock electrically and mechanically. The electric operation may be canceled from a central console or control point at any time via a three-position switch.

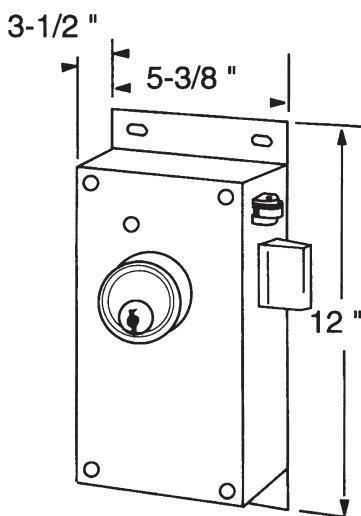
The Maxi-Mogul® Key Cylinder is uniquely suited for this high frequency operation, shown by cycle tests of 1,000,000 operations.

■ **Key cylinder extension** – When the lock is keyed on the stop side of the jamb, an extension eliminates the need for a special, recessed frame pocket. Specify E-3 for a 3" extension, E-4 for a 4" extension or E-5 for a 5" extension.

- **Manual air release system** – Allows for the manual release of doors or groups of doors from a remote location. Latchbolt remains retracted until system is manually reset. Specify MARS.
- **ASSA or MEDECO Mogul cylinders** – Are available to match existing.

Dimensional Data

Note: Dimensions are for information and planning purposes only and should not be used as templates.



Specifications

- **Case and cover** – 10 gauge steel.
- **Latchbolt** – Investment-cast stainless steel, hardened 1" throw.
- **Deadlock lever** – Stainless steel, adjustable for door-gap variations.
- **Bolt opening** – Does not allow access to mechanism.
- **Roller bolt** – Investment-cast stainless steel with stainless steel roller.
- **Operating lever** – Stainless steel to operate with solenoid.
- **Strike** – Investment-cast stainless steel, attached with screws in two directions.
- **Springs** – Stainless steel.

Electrical Characteristics

- **Pneumatic solenoid voltage** – 24VDC with 5.4 watts power consumption. 2.4 watts on MARS option.
- **Indication switch** – Deadlock and auxiliary.
- **Rating** – 15 amps @ 125 or 250 VAC.

Feature/Option Chart

MODEL NO.	OPERATION DESCRIPTION	LATCHBACK		INDICATION SWITCH DEADLATCH	LEK OPTION	MARS
		WITH	WITHOUT			
120P-1-01	Standard (1)	X		X	Available	Available
120P-1-04	Standard (1a)		X	X	Available	Available
120P-2-01	Knob Release	X		X	Available	Available
120P-2-04	Knob Release		X	X	Available	Available
120P-3-01	Key Holdback	X		X	No	Available
120P-3-04	Key Holdback		X	X	No	Available



P.O. Box 2021, San Antonio, TX 78297 ■ Ph: 210.533.1231 ■ Fx: 210.533.2211
 Web: www.SouthernFolger.com ■ Email: info@southernfolger.com